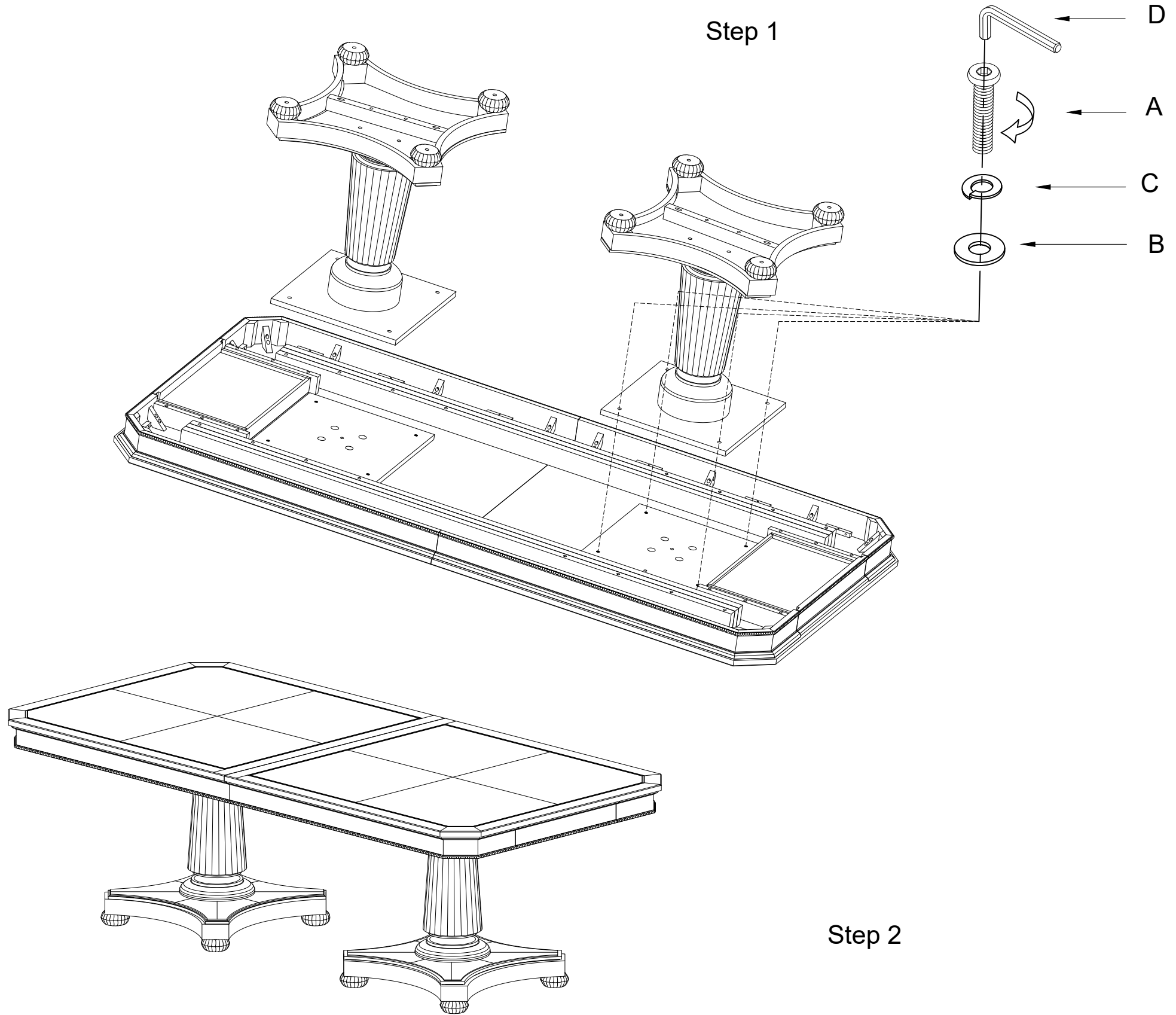
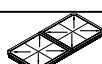




Thank you for purchasing this quality product from A.R.T. Furniture. Be sure to check all packing material for parts which may have come loose inside the carton during shipment. Identify and count all parts and compare with the parts list below.

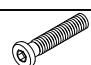
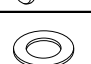


Note: Some furniture is heavy, it is recommended that two people assembly this item to avoid injury or damage.



PARTS LIST:

No.	Description	Sketch	Q'ty
1	Table Top		1
2	Table leaves		2
3	Table leg		2

HARDWARE LIST:

No.	Drawing	Description	Q'ty
A		$\frac{5}{16}$ " x1- $\frac{1}{2}$ " Bolt	8
B		$\frac{5}{16}$ " xØ19x2 Flat washer	8
C		$\frac{5}{16}$ " xØ12x3 Lock washer	8
D		5mm Allen key	1

Thank you for purchasing this quality product from A.R.T. Furniture. Be sure to check all packing material for parts which may have come loose inside the carton during shipment. Identify and count all parts and compare with the parts list below.

Note: Some furniture is heavy, it is recommended that two people assembly this item to avoid injury or damage.

TABLE LOCK
Closed position

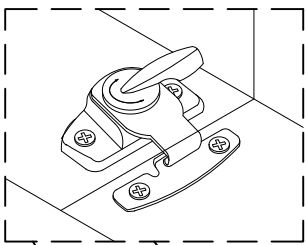
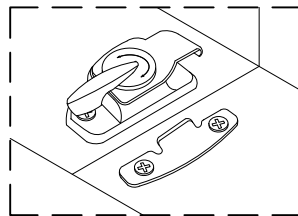
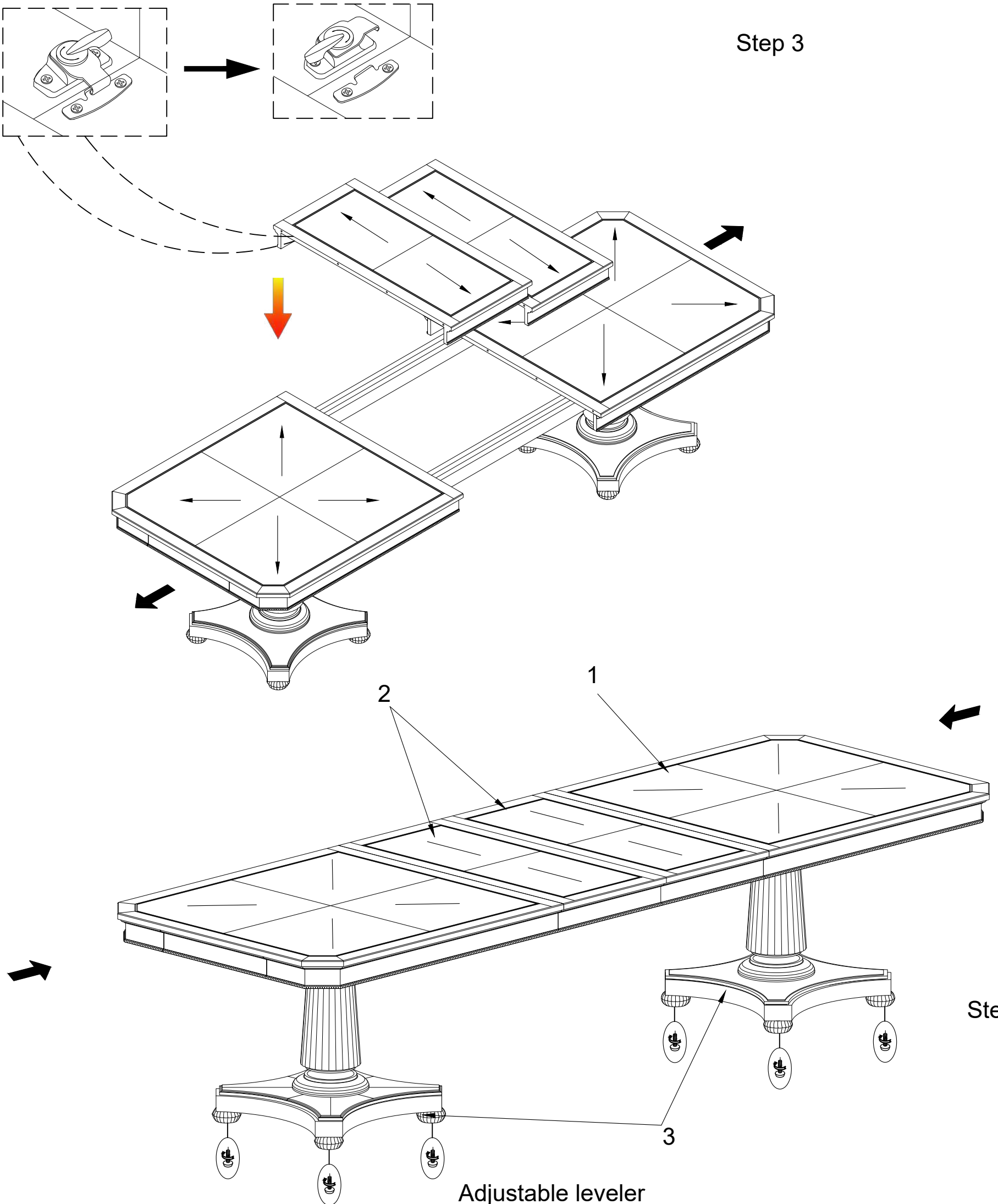


TABLE LOCK
Open position



Step 3



Step 4

Adjustable leveler