

MEADOW END TABLE

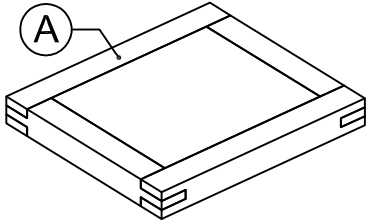
ASSEMBLY INSTRUCTIONS



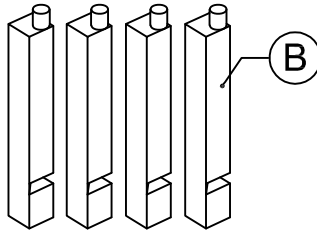
PARTS AND FITTING PACKAGING DETAIL

CARTON

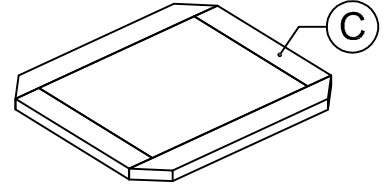
A. TOP 1 PC



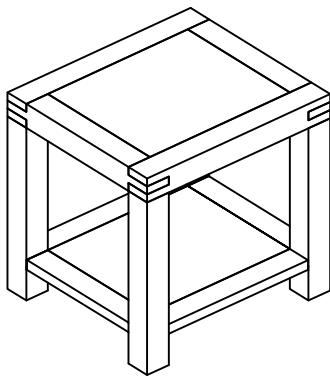
B. LEGS 4 PCS



C. SHELF 1 PC



AVONDALE SIDE TABLE ASSEMBLED

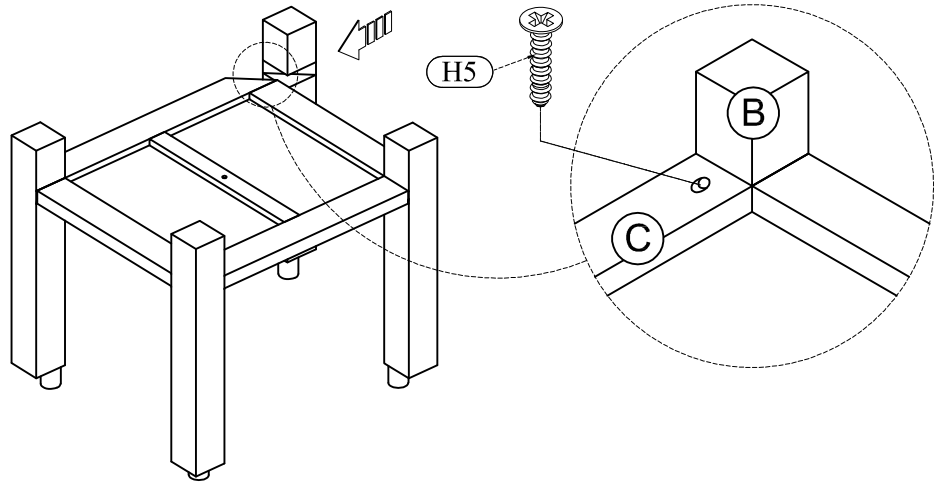


HARDWARE* PACKED IN CARTON

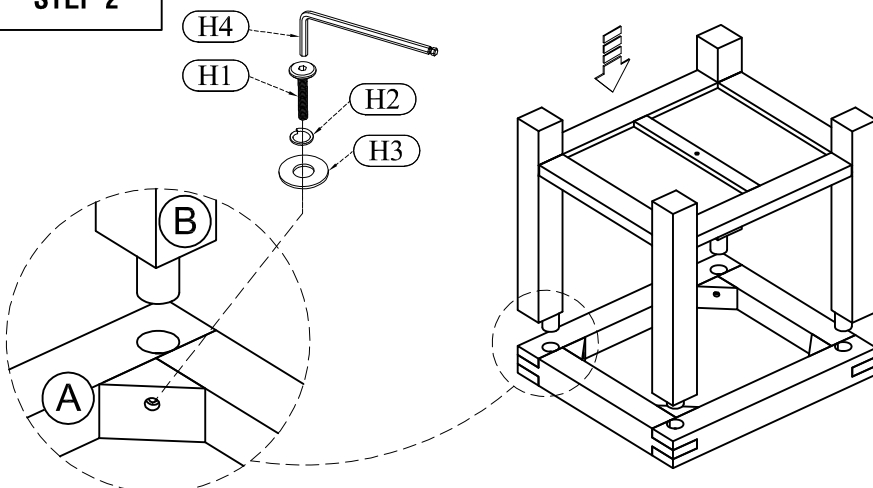
H1	ALLEN BOLT (M8 X 85)	4 PCS	H2	LOCK WASHERS (M9)	4 PCS
H3	FLAT WASHERS (M8)	4 PCS	H4	ALLEN KEY	1 PC
H5	WOOD SCREW (M4 X 50)	4 PCS			

YOUR BOX MAY CONTAIN EXTRA HARDWARE

STEP 1



STEP 2



FINISH

