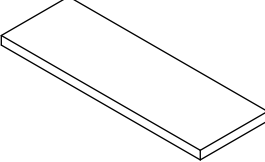
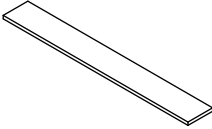

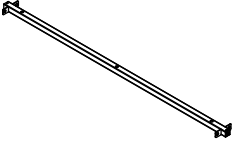
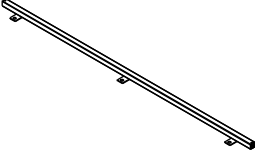
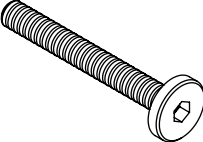
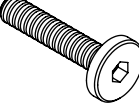
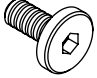
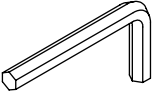
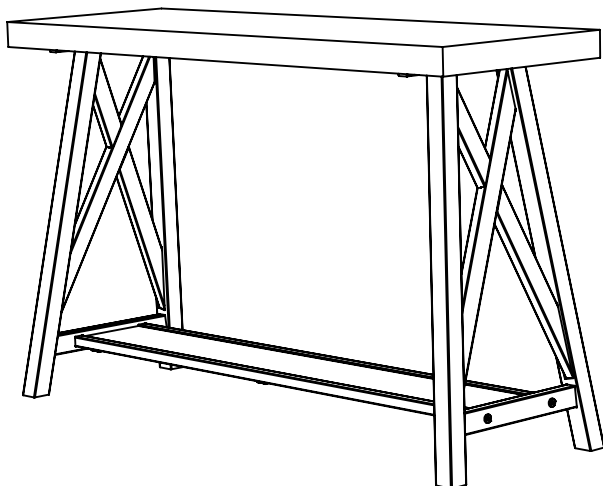


# ASSEMBLY INSTRUCTION

## E460-05 SOFA TABLE WITH SHELF

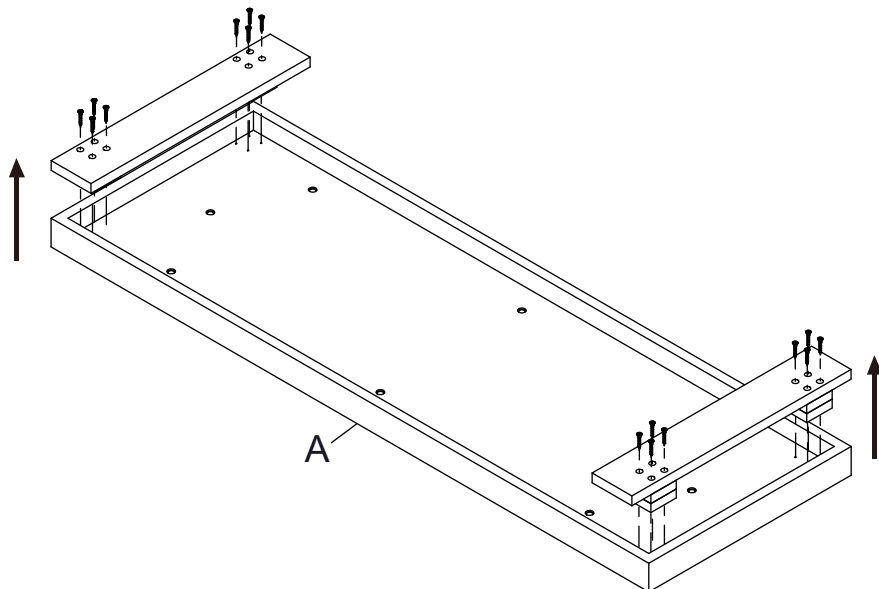
<b>A</b> Top Panel  1PC	<b>B</b> Lower Shelf  1PC	<b>C</b> Side Frames  2PCS	<b>D</b> Upper Cross Bars  2PCS
<b>E</b> Lower Cross Bars  2PCS	<b>F</b> Bolts $1/4" \times 2" \times \varnothing 15$  2PCS	<b>G</b> Bolts $1/4" \times 1-1/4" \times \varnothing 15$  6PCS	<b>H</b> Bolts $1/4" \times 5/8" \times \varnothing 15$  22PCS
<b>I</b> Allen Wrench $1/4"$  1PC			



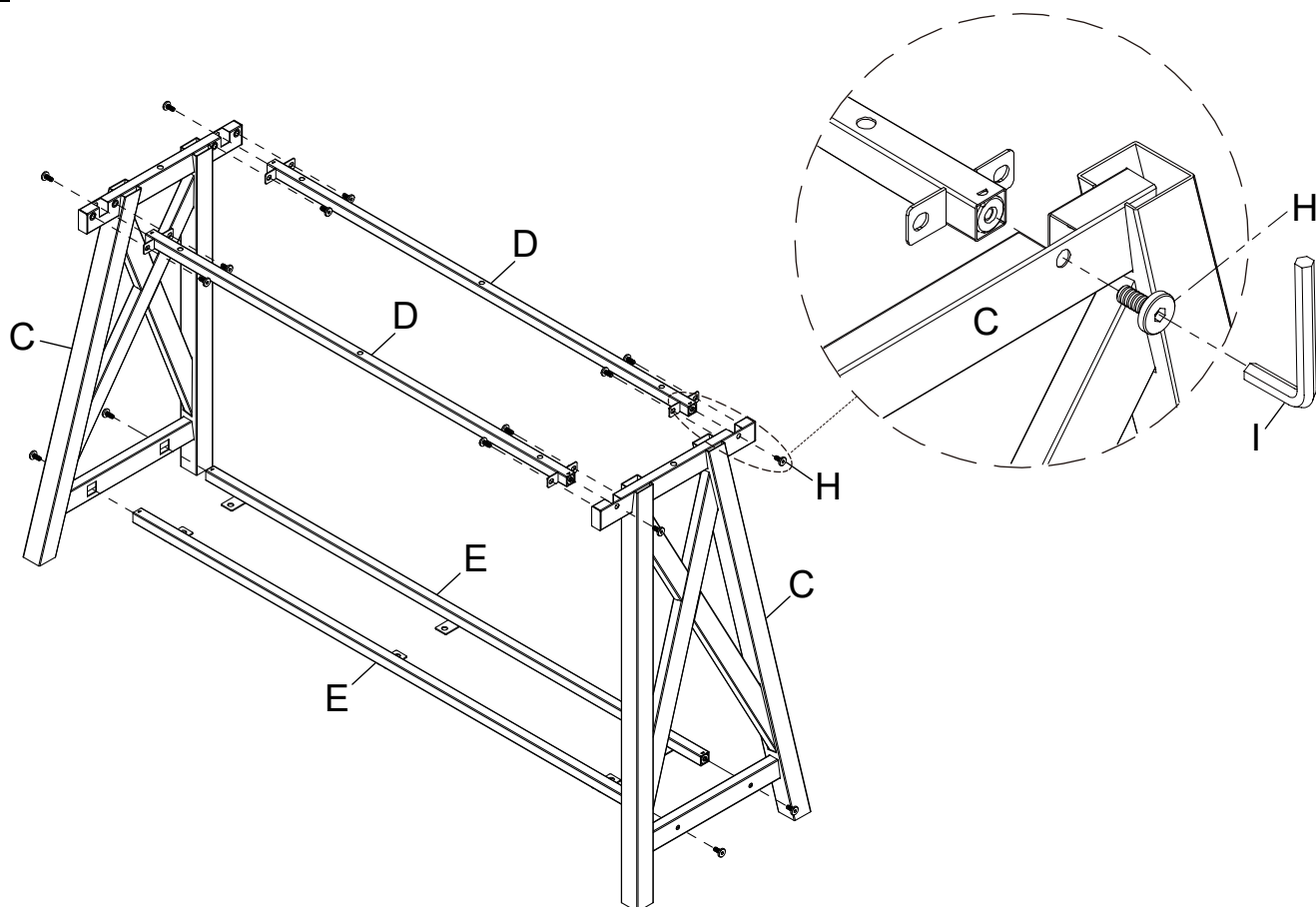
This page lists all the contents included in the box. Please take the time to identify the hardware as well as the individual components to this product. As you unpack and prepare for assembly, place the contents on a carpeted or padded area to protect them from damage.

\*\*\*Do not tighten screws & bolts until the entire unit is completely assembled.

- 1 Use the Philips Screwdriver (not provided) to loosen the screws and remove the MDF boards from Top Panel (A).

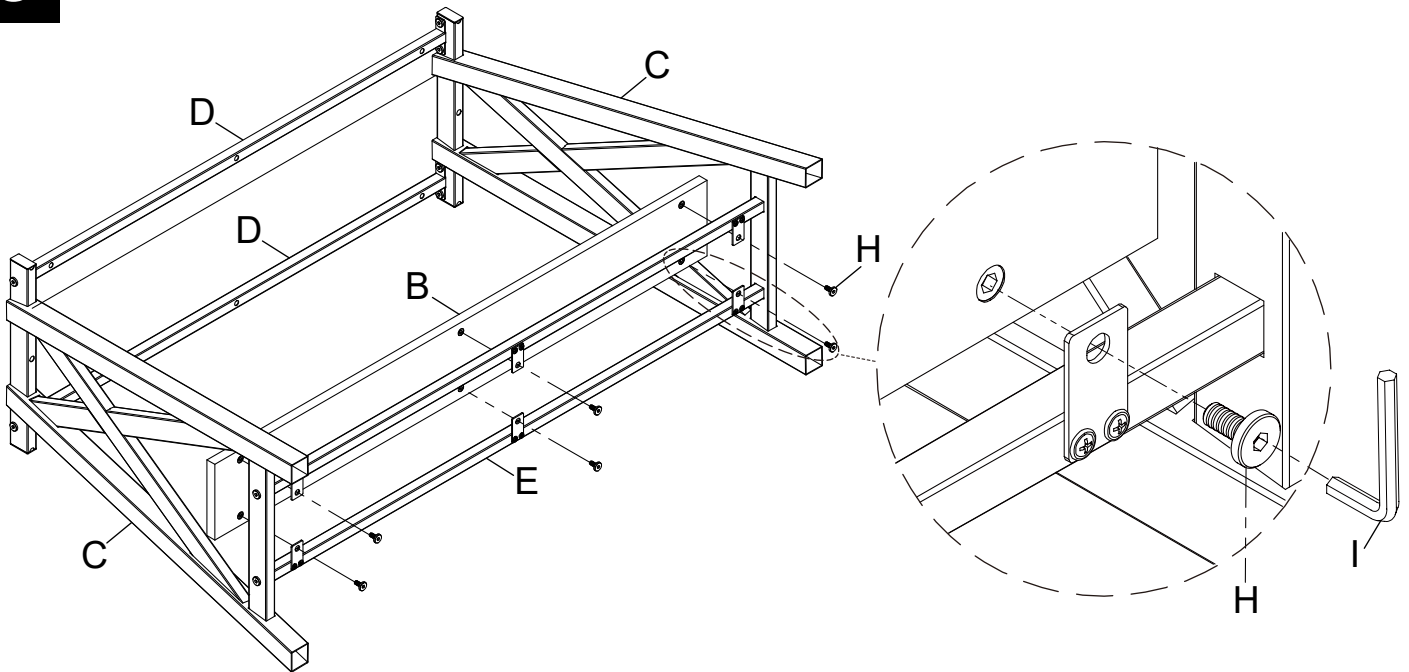


- 2 Attach both Side Frames (C) to Upper Cross Bars (D) and Lower Cross Bars (E) using Bolts (H) and Allen Wrench (I) as shown.

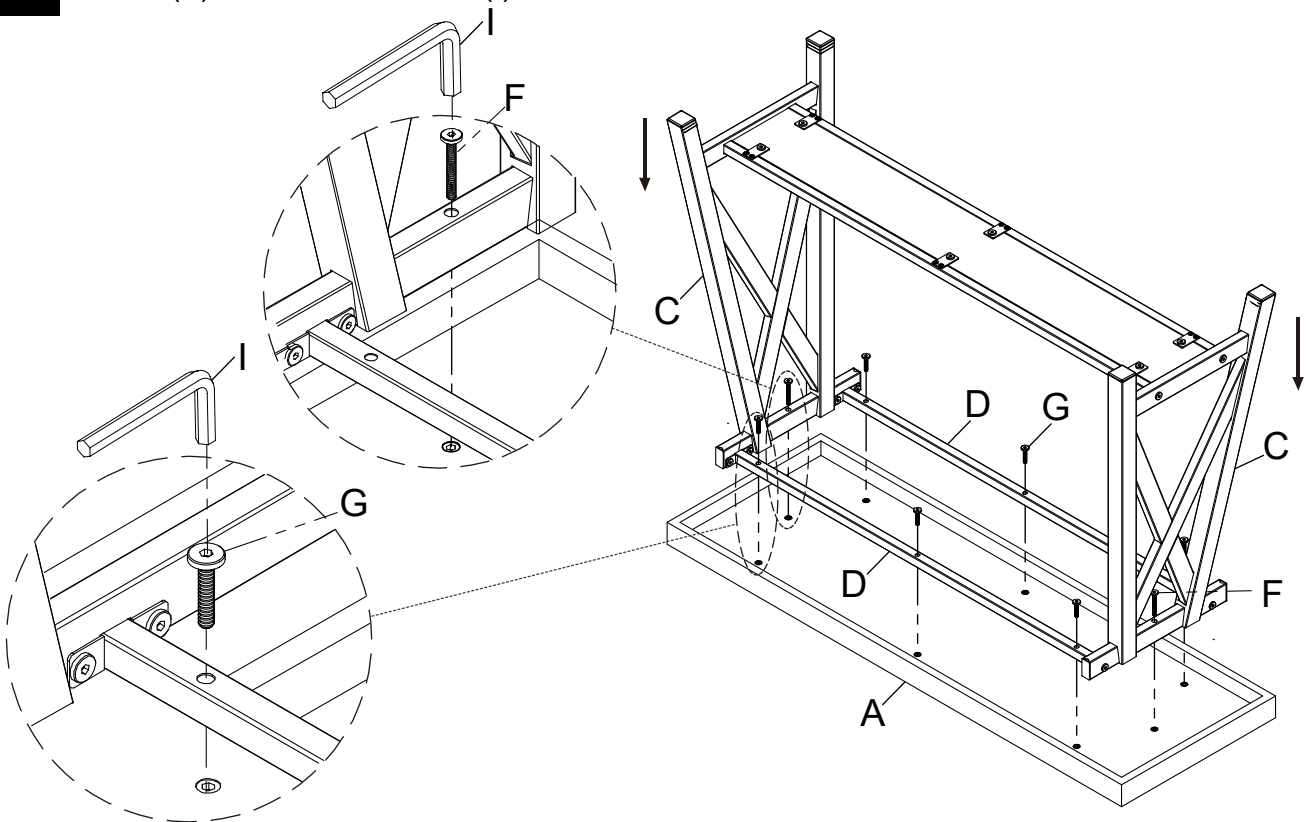


**3**

Attach Lower Shelf (B) to Lower Cross Bars (E) using Bolts (H) and Allen Wrench (I).

**4**

Attach Top Panel (A) to Upper Cross Bars (D) and Side Frames (C) using Bolts (G) and Bolts (F) with Allen Wrench (I).



### Cleaning & Care

Treat surface with care. Surface is resistant to scratches but is not scratch resistant. Clean surfaces with a dry or damp soft cloth. Do not use abrasive cleaners. Hardware may loosen over time. Periodically check that all connections are tight.