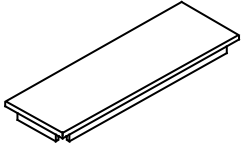


# ASSEMBLY INSTRUCTION

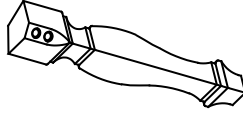
## 524GA-14(3A) TWO TONE COFFEE & ANTIQUE GREY FINISH BENCH

**A** Bench Top



1 pc

**B** Leg



4 pcs

**C** JCBC Bolt

M6 X 70MM



8 pcs

**D** Lock Washer

M6 X 13MM



8 pcs

**E** Flat Washer

M6.5 X 16.5MM



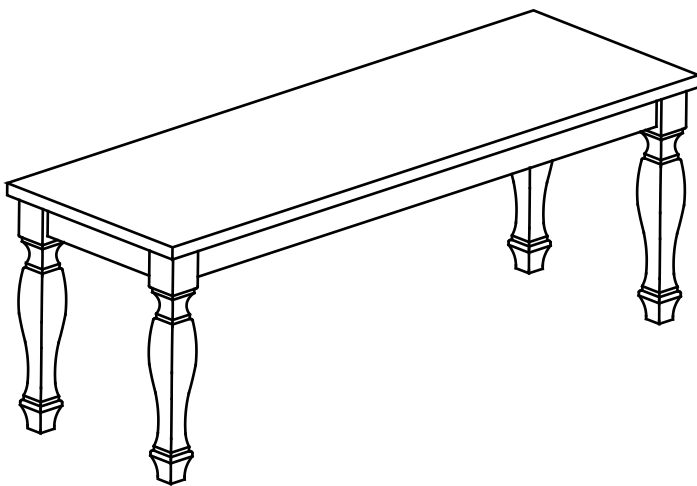
8 pcs

**F** Allen Key

M4 X 2.1/2"

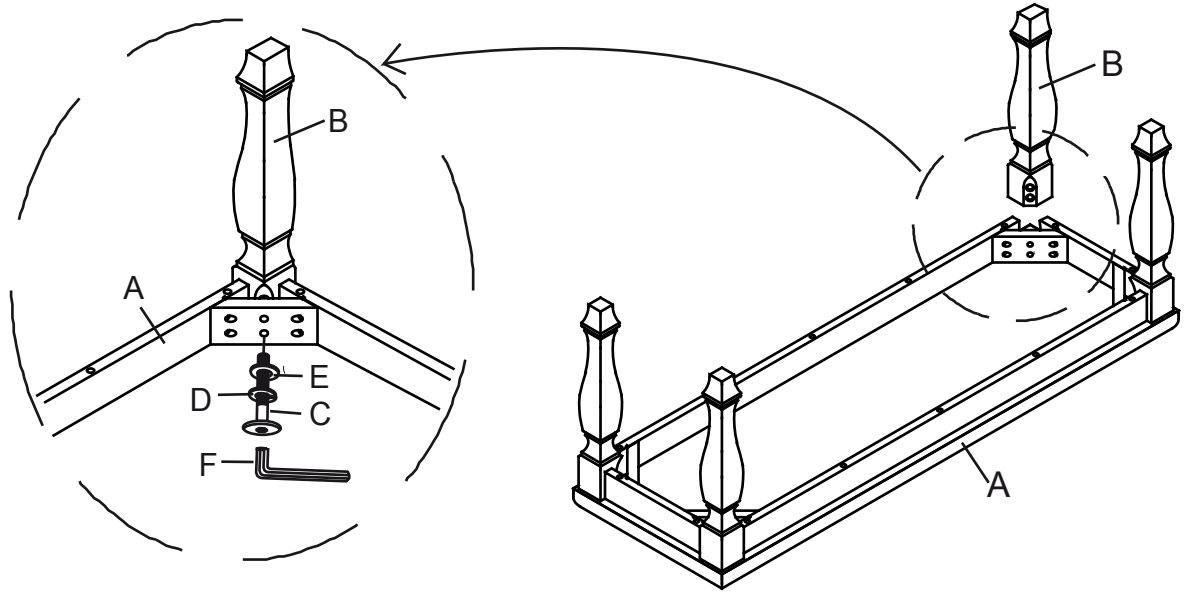


1 pc



This page lists all the contents included in the box. Please take the time to identify the hardware as well as the individual components to this product. As you unpack and prepare for assembly, place the contents on a carpeted or padded area to protect them from damage.

- 
- 1** Turn the bench top (A) upside down on a protective surface such as carpet or other soft material. Place the Leg (B) to corner of Apron, then tighten the Flat Washer (E), Lock washer (D) and JCBC Bolt (C) using the Allen Key (F) provided. Repeat the same for the other Legs. Set the Bench (A) upright on its Legs (B).



---

### **CLEANING & CARE**

Treat surface with care. Surface is resistant to scratches but is not scratch resistant. Clean surface with a dry or damp soft cloth. Do not use abrasive cleaners. Hardware may loosen over time. Periodically check that all connections are tight.