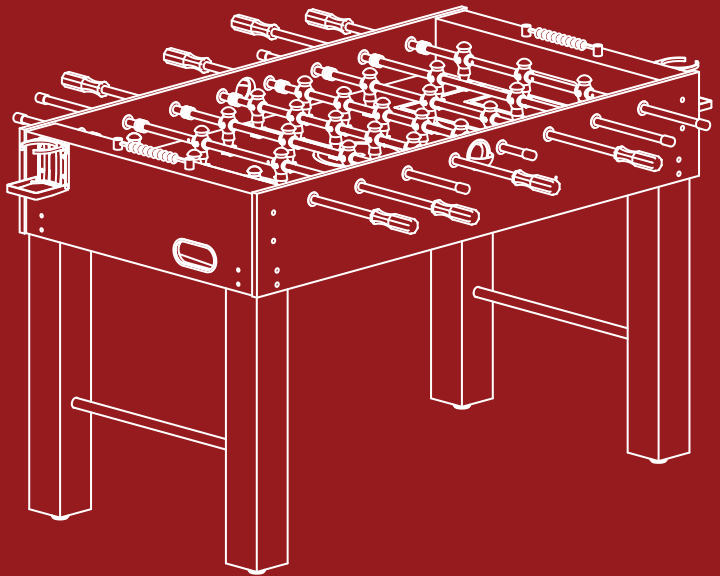




BEST CHOICE
PRODUCTS



INSTRUCTION MANUAL

54" Foosball Table



Fasten screws loosely during assembly. Do not firmly tighten screws until item is fully assembled.

bestchoiceproducts.com



WARNING

CHOKING HAZARD - Toy contains a small ball. Not for children under 3 years old.



WARNING

CHOKING HAZARD - Small parts. Not for children under 3 years old.



WARNING

ADULT ASSEMBLY REQUIRED

! NOTICE

Please retain these instructions for future reference.

- Do not stand on or use any part of this set as a step ladder.
- Firmly secure all bolts, screws and knobs before use.
- Reconfirm that all bolts, screws, and knobs are secure every 90 days.
- Be aware that some parts are heavy and have sharp edges.
- Do not use or store this item in the proximity of open flame or flammable/combustible chemicals.
- If any parts are missing, broken, damaged, or worn, stop using this product until repairs are made and/or factory replacement parts are installed.
- Do not use this item in a way inconsistent with the manufacturer's instructions as this could void the product warranty.
- This product is intended for residential use only.

TOOLS REQUIRED



PHILLIPS
SCREWDRIVER



ALLEN WRENCH
(PROVIDED)



3+
3 YEARS
OLD AND UP

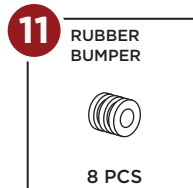
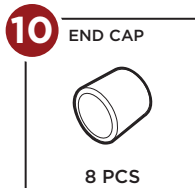
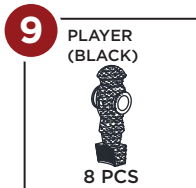
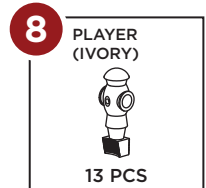
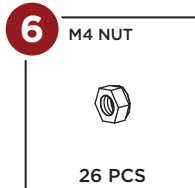
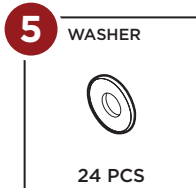
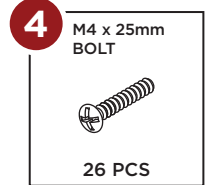
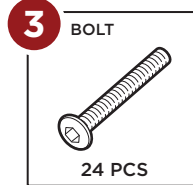
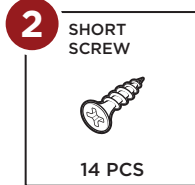


2 PERSON
ASSEMBLY

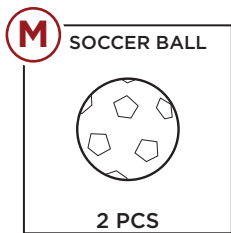
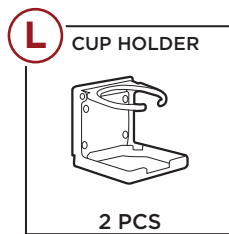
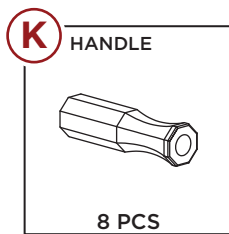
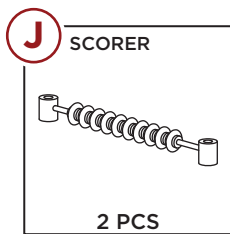
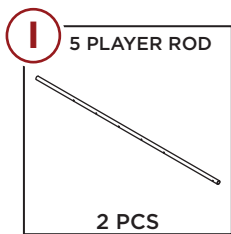
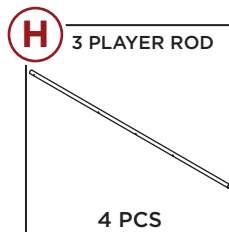
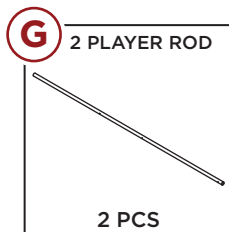
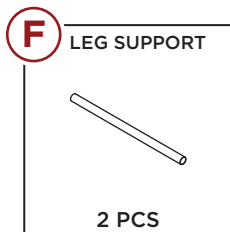
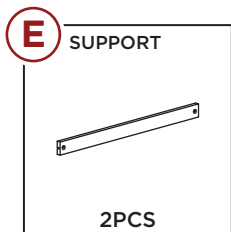
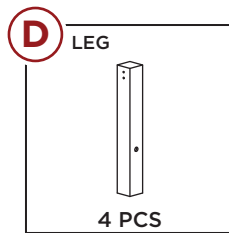
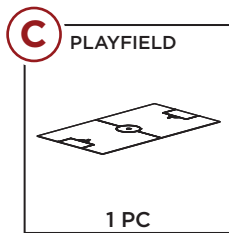
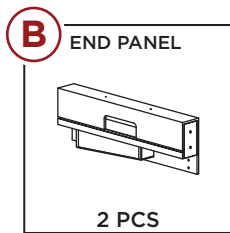
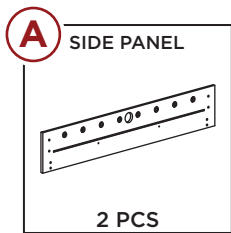


UP TO 1 HR.
ASSEMBLY

HARDWARE



PARTS

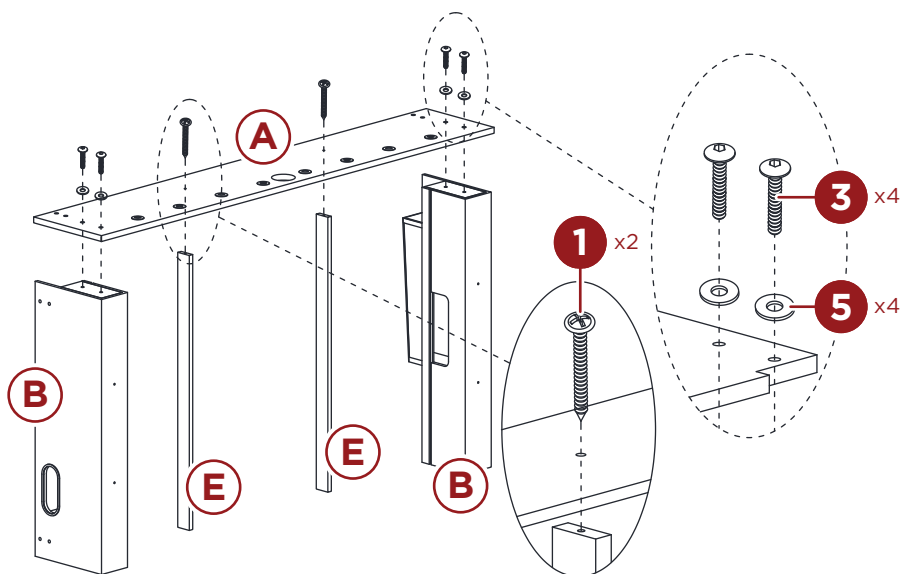


PRODUCT ASSEMBLY

1

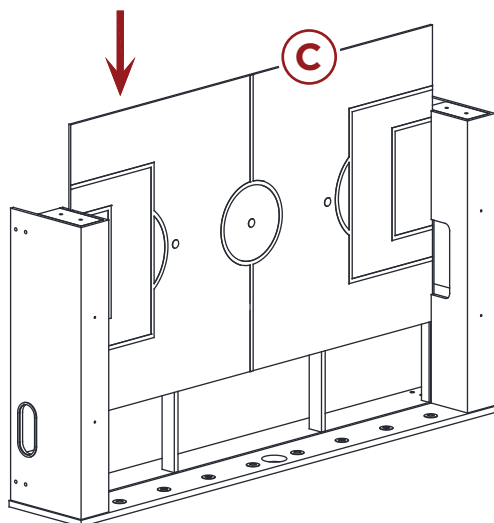
Attach one of the **part A side panel** to **part B end panels** with four **part 3 screws** and four **part 5 washers**.

Install two **part E support** to the part A side panel with two **part 1 screws**.



2

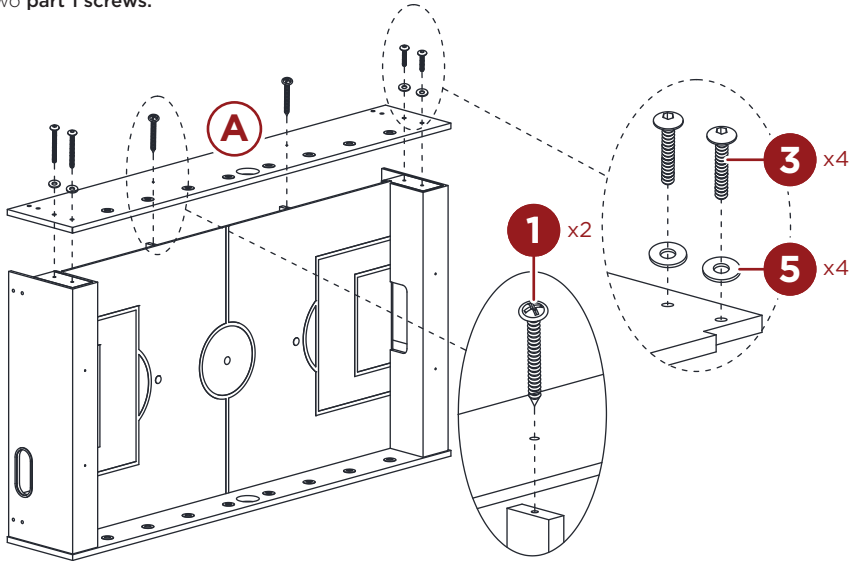
Slide **part C playfield** into the designated slots.



PRODUCT ASSEMBLY

3

Attach the other **part A side panel** with four **part 3 screws**, four **part 5 washers**, and two **part 1 screws**.

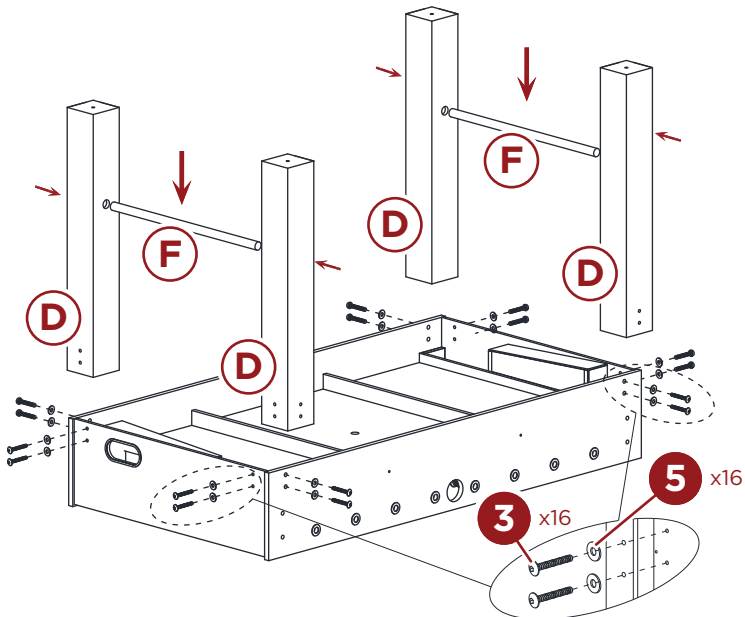


4

Insert four **part D legs** into the corners.

Place two **part F leg supports** between the legs.

Attach the legs with sixteen **part 3 bolts** and sixteen **part 5 washers**.



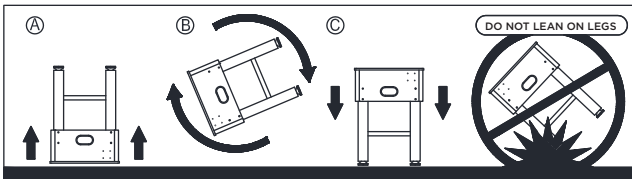
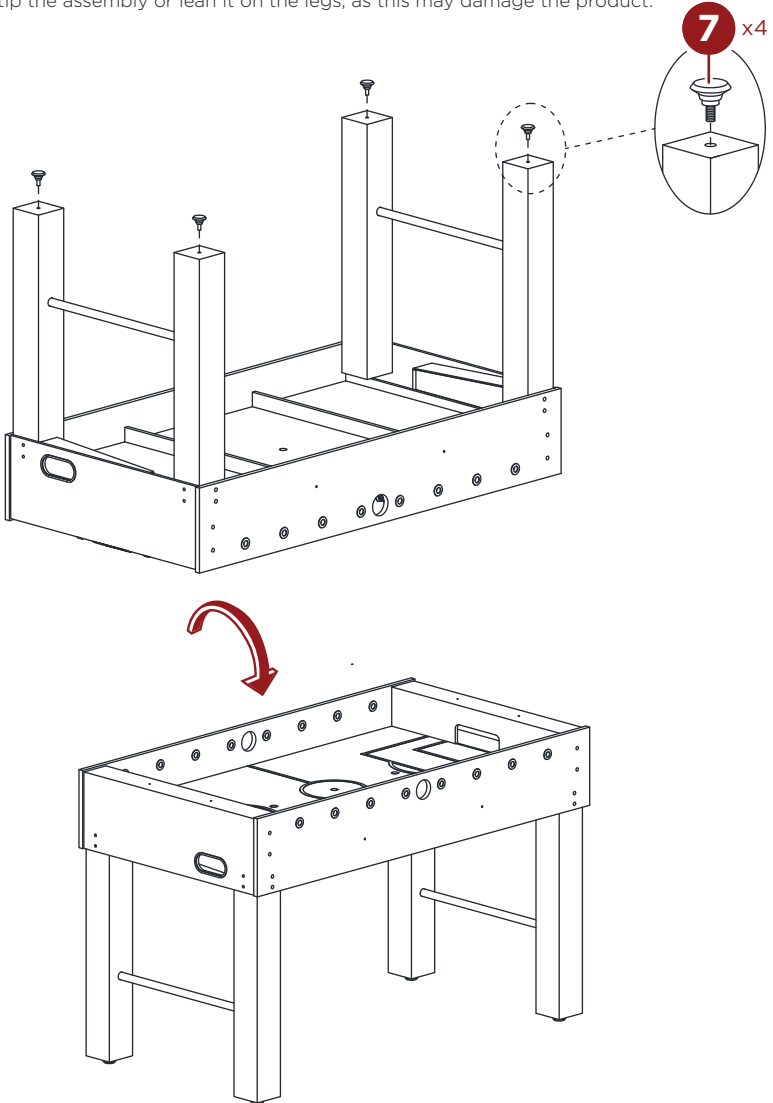
PRODUCT ASSEMBLY

5

Screw in four **part 7 feet**.

Lift the table assembly and flip it upright before returning it to your building surface.

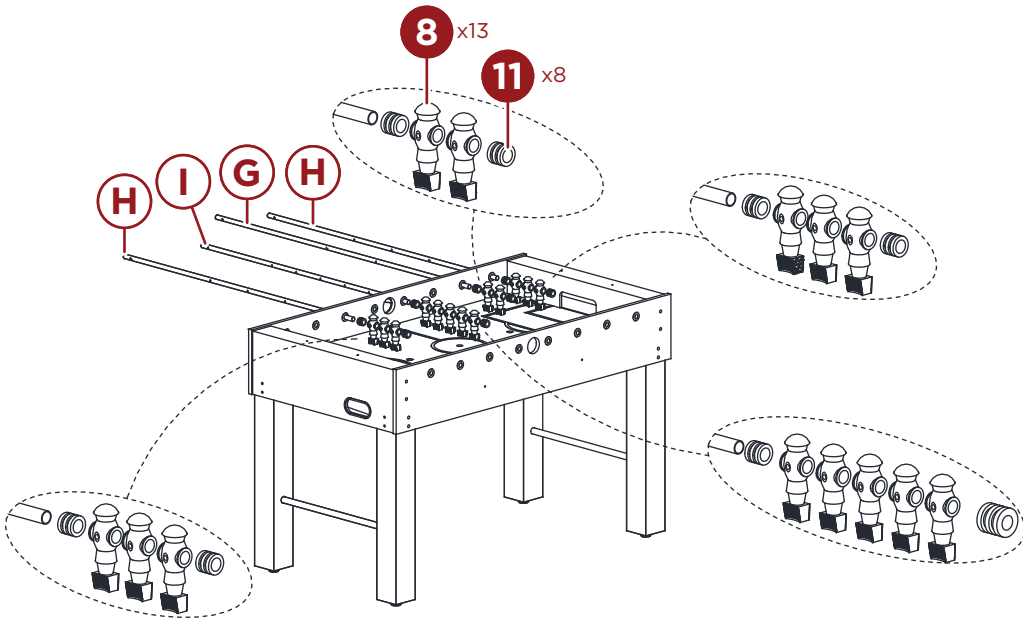
Do not tip the assembly or lean it on the legs, as this may damage the product.



PRODUCT ASSEMBLY

6

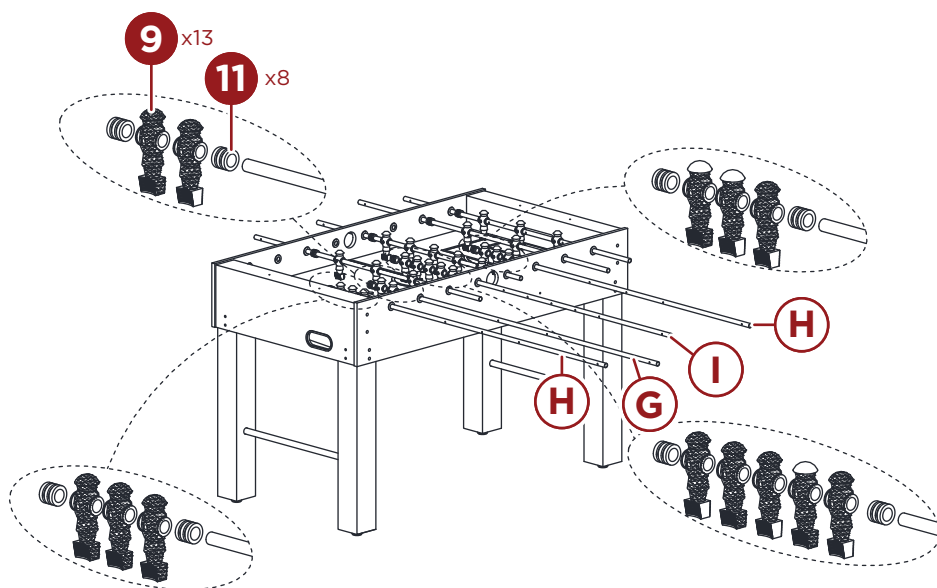
Slide the appropriate number of **part 8 players (ivory)** onto the **part G, H, and I rods**.
Slide two **part 11 rubber bumpers** onto each rod, one bumper on each side.



PRODUCT ASSEMBLY

7

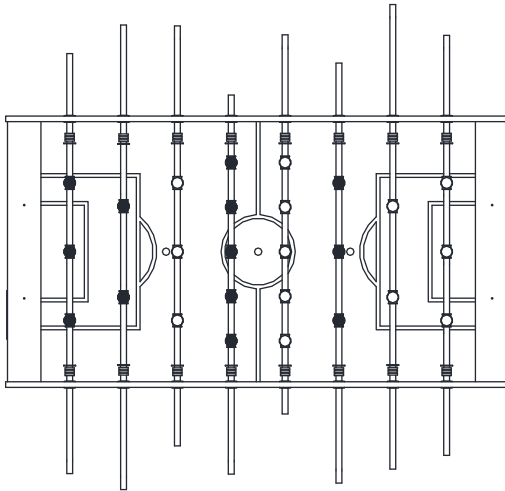
Slide the appropriate number of **part 9 players (black)** onto the **part G, H, and I rods**.
Slide two **part 11 rubber bumpers** onto each rod, one bumper on each side.



PRODUCT ASSEMBLY

8

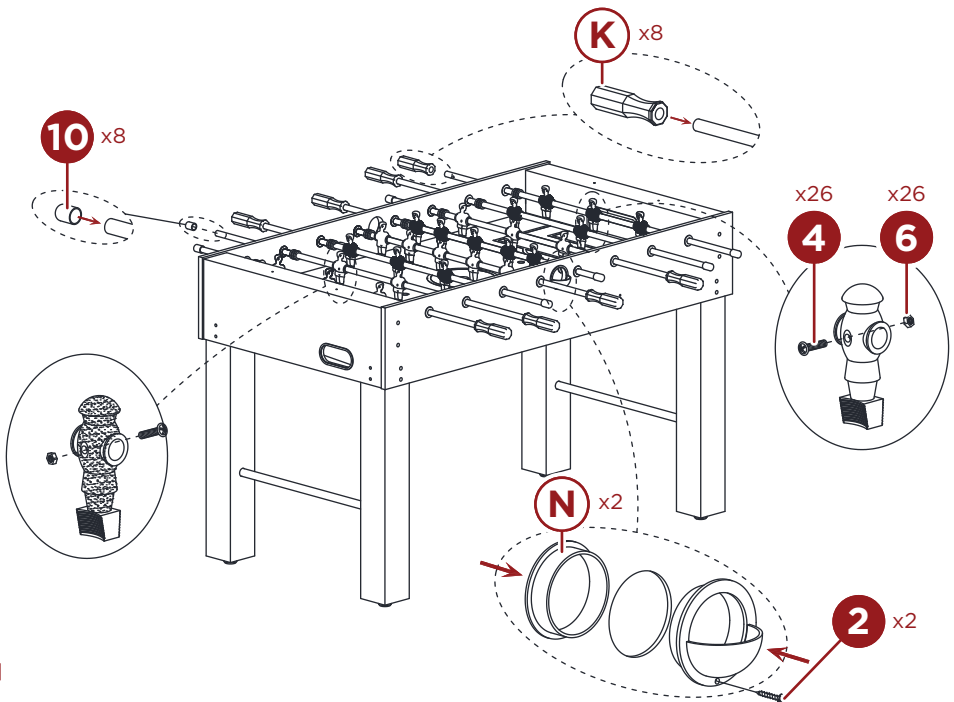
Confirm that the rods are arranged correctly.



○ = HOME TEAM
● = VISITORS

9

Secure players with twenty-six **part 4 bolts** and twenty-six **part 7 nuts**, one bolt/nut per player. Slide eight **part K handles** and eight **part 10 end caps** onto the rods, a handle and end cap per rod. Attach two **part N goal sleeves** with two **part 2 screws**.

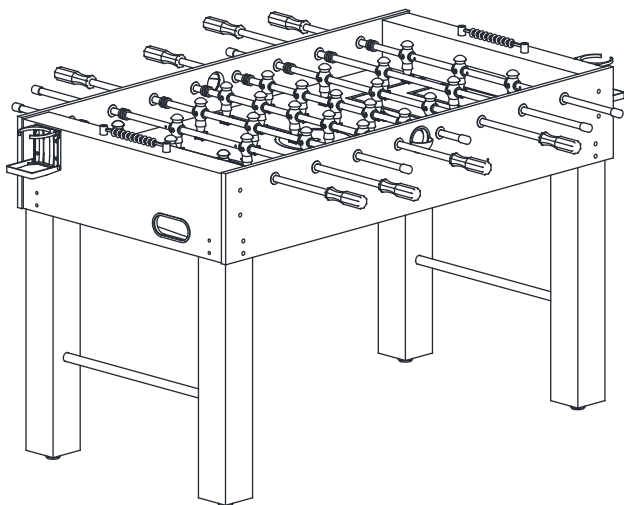
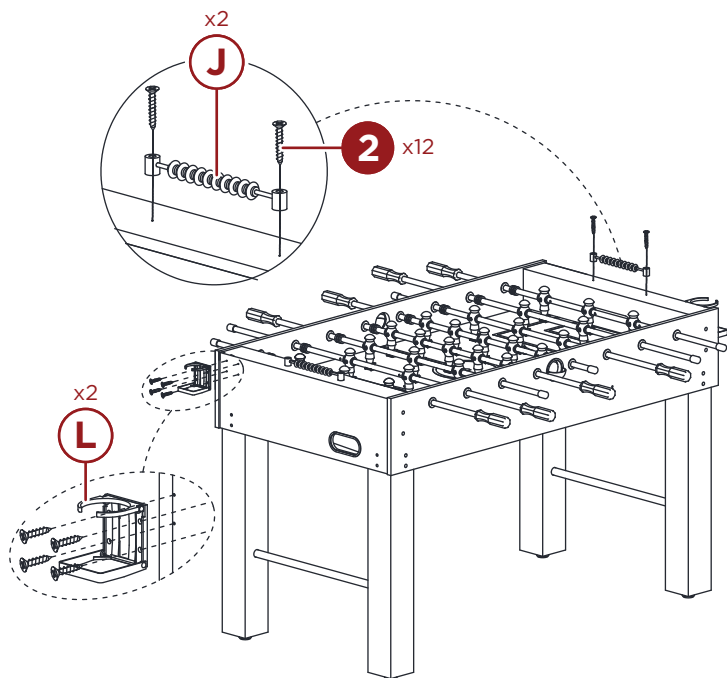


PRODUCT ASSEMBLY

10

Attach one **part J** scorer to each of the **part A** end panels with two **part 2** screws, four screws total.

Attach one **part L** cup holder to each of the **part A** end panels with four **part 2** screws, eight screws total.





HELP CENTER



Question about your product? We're here to help. Visit us at:

help.bestchoiceproducts.com



Chat Support



Product Inquiry



Orders FAQ



Product Assembly



Returns & Refunds

PRODUCT WARRANTY INFORMATION

All items can be returned for any reason within 60 days of the receipt and will receive a full refund as long as the item is returned in its original product packaging and all accessories from its original shipment are included. All returned items will receive a full refund back to the original payment method. All returned items will not be charged a re-stocking fee.

All returned items require an RA (Return Authorization) number, which can only be provided by a Best Choice Products Customer Service Representative when the return request is submitted. Items received without an RA may not be accepted or may increase your return processing time. Once an item has been received by Best Choice Products, refunds or replacements will be processed within 5 business days.

All returns must be shipped back to the Best Choice Products Return Center at the customer's expense. If the reason for return is a result of an error by Best Choice Products then Best Choice Products will provide a pre-paid shipping label via email. Boxes for return shipping will not be provided by Best Choice Products, and is the customer's responsibility to either use the original shipping boxes or purchase new boxes.

Pictures may be required for some returns to ensure an item is not damaged prior to its return. Items returned are not considered undamaged until they are received by Best Choice Products and verified as such. All damages to items are the customer's responsibility until the item has been received by and acknowledged by Best Choice Products as undamaged.

© Best Choice Products, Inc. All rights reserved. Distributed by Best Choice Products, Inc. Tustin, CA 92780

WARNING

Manufacturer and seller expressly disclaim any and all liability for personal injury, property damage or loss, whether direct, indirect, or incidental, resulting from the incorrect attachment, improper use, inadequate maintenance, unapproved modification, or neglect of this product.