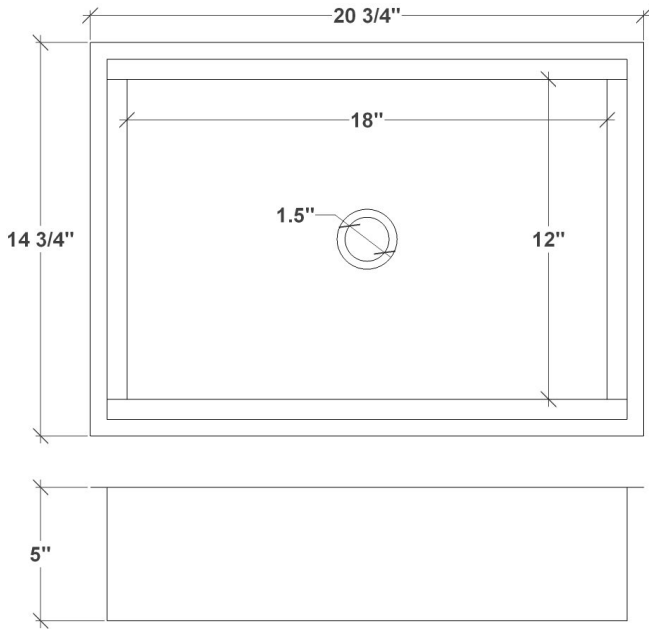




Mother of Pearl color will vary from sink-to-sink



## MI02

### FLORAL MOTHER OF PEARL INLAY UNDERMOUNT

#### DETAILS

Installation Type: Undermount

Materials: White Marble with Mother of Pearl Inlay on Metal Base

Drain: 1.5" Lavatory Drain, No Overflow

Dimensions are approximate: OD: 20 3/4" x 14 3/4" x 5" | ID: 18" x 12"

Each sink is handmade by skilled artisans, no two sinks will be the same. Mother of Pearl is naturally iridescent, with the color changing with the angle of view. The MOP will have a variety of color variations with whites, silvers, golds, browns, etc. Due to the natural characteristics of the materials, color variations are to be expected.

#### AVAILABLE DRAINS



**D004**

Grid Strainer



**D005**

Lift and Turn



**D006**

Pop-up w/ horizontal lift rod



**D011-D017**

Decorative Grid Strainers



**D101-D720**

Decorative Drains

#### INSTALLATION

Drain should be installed first.

Cuts in countertop are up to the discretion of the installer.

Clips or other installation method must be provided by the fabricator/installer.

Use 100% silicone adhesive to adhere sink to countertop. Clean any excess silicone from sink surface.

#### CARE

Mild soap and water for everyday cleaning. Avoid using harsh chemicals or abrasives, as well as anything acidic, such as vinegar or citrus, which will etch marble. A stone sealer should be applied once or twice a year to maintain the marble. Sealing repels staining agents, but doesn't make marble stainproof.

#### WARRANTY

Linkasink warranties our product to be free from manufacturing defect for the life of the product. Warranty does not cover improper care, neglect or abuse.

#### DIMENSIONS WILL VARY

**DO NOT** use this sheet as a guide for countertop cuts. Due to the handmade nature of each product, templates are not provided.