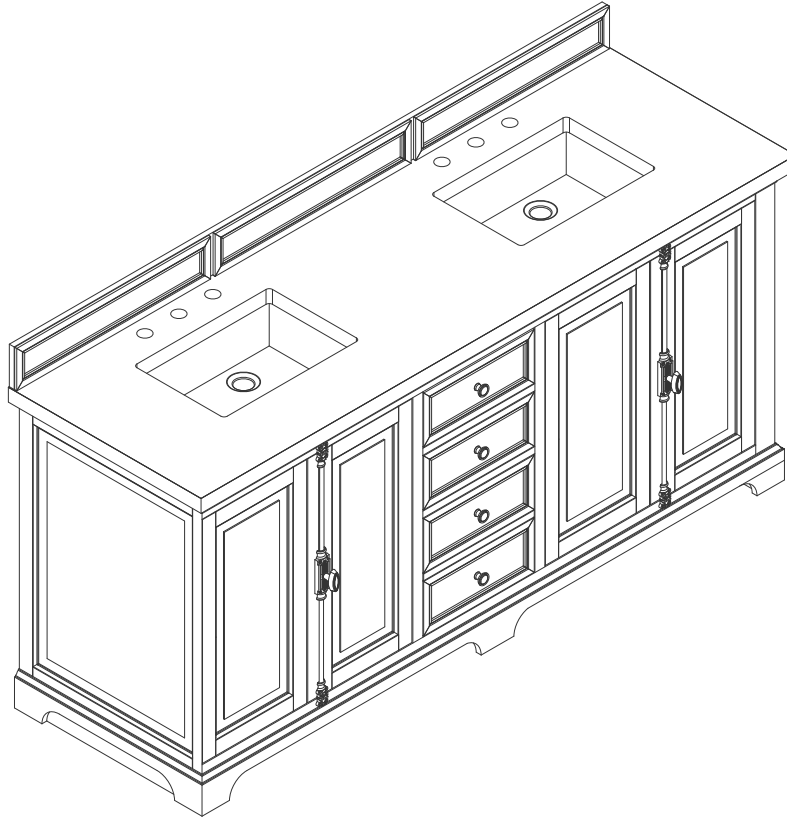


# 72" PROVIDENCE VANITY

**JAMES MARTIN**  
VANITIES

238-105-5711



## Features and Materials

Solids: Ash  
Veneers: Red OAK  
Panels: Plywood  
Installation Type: Floor Standing  
Number of Basins: Two, with optional 3cm top  
Vanity Top Included: NO, Optional 3cm Tops Available with Sinks  
Basins Included: NO  
Overflow: Yes, Front Facing  
Optional Wooden Backsplash  
Number of Doors: Four  
Number of Drawers: Three  
Assembly Type: Installation of optional 3cm top with sink  
Drawer Box Material and Construction: 12mm Plywood/English Dovetail Joinery  
Hardware Material and Finish: Zinc Alloy in Antique Pewter  
Fits Drain Hole Size: 1 3/4"  
Full Extension, Soft Close Glides  
European Soft Close Hinges  
Aluminum Laminate Drawer Liners  
Adjustable Levelers

## Dimension

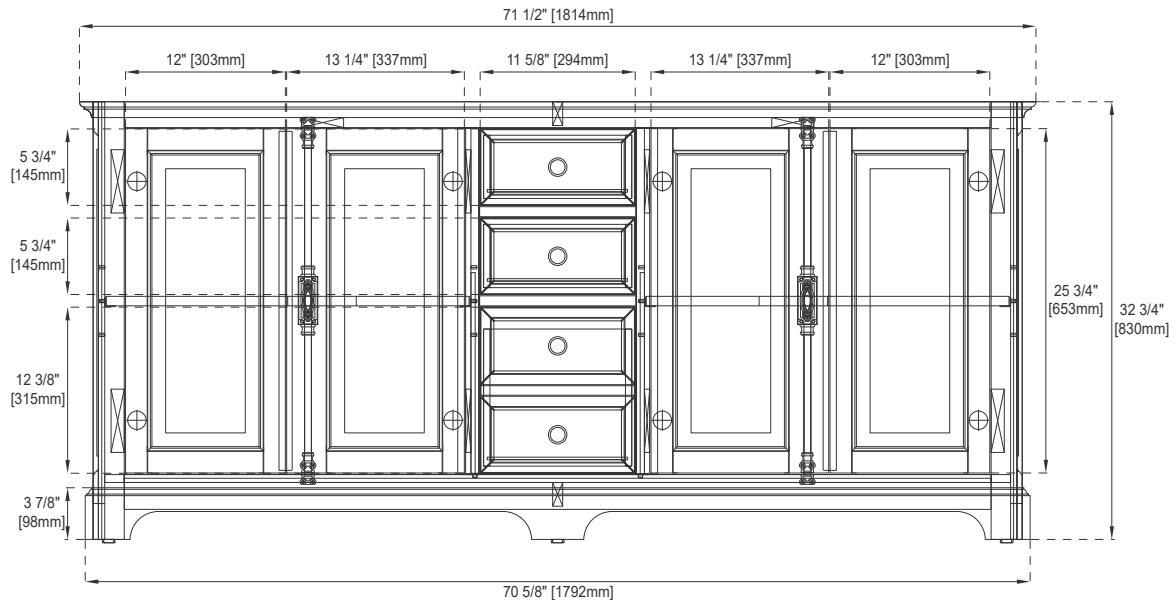
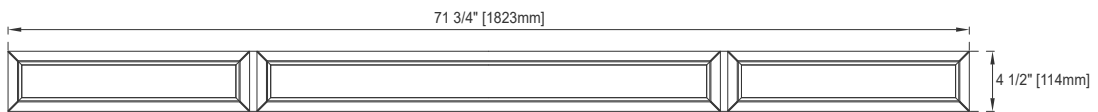
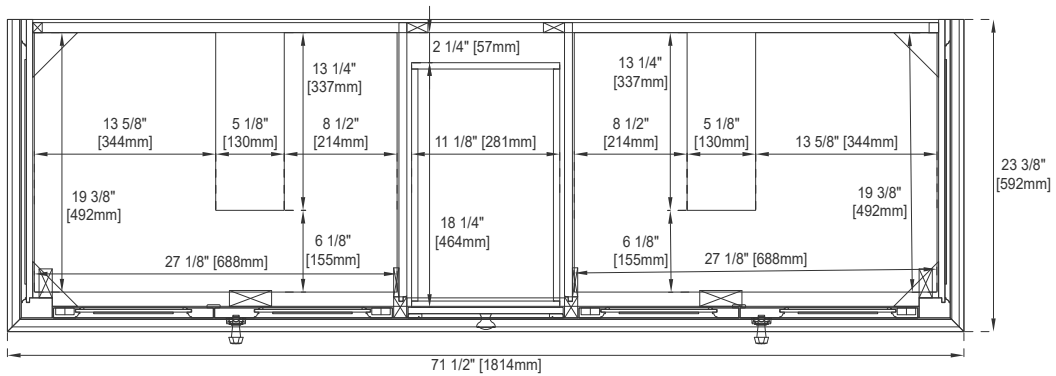
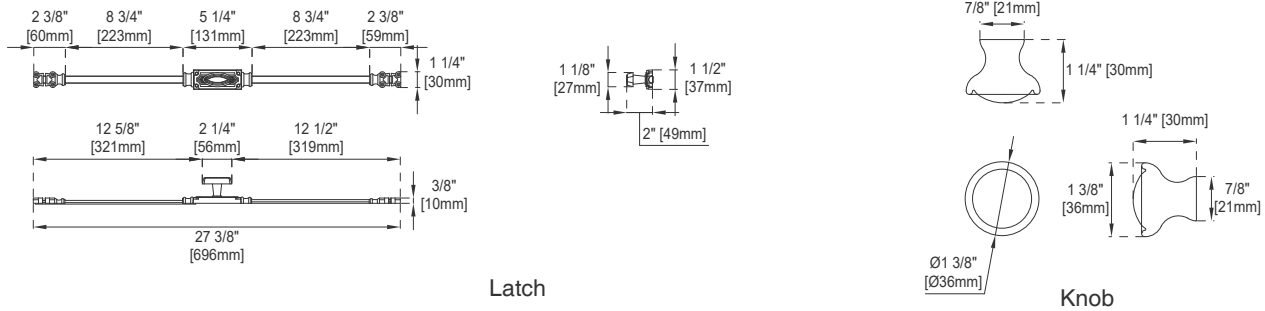
Width: 71-1/2"  
Depth: 23-3/8"  
Height: 32-3/4"  
Rough-In Height: 21-1/2"

Visit website for warranty and installation information  
[www.jamesmartinvanities.com](http://www.jamesmartinvanities.com)

# 72" PROVIDENCE VANITY

# JAMES MARTIN VANITIES

238-105-5711



All dimensions are nominal

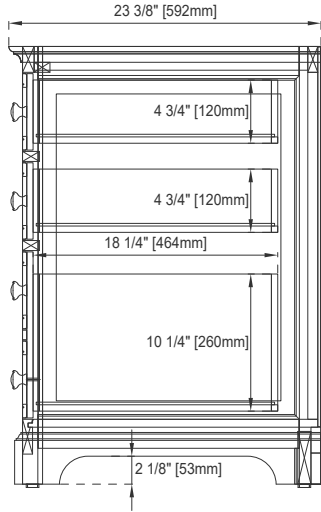
Diagrams are of cabinet only-James Martin Optional Countertops and sinks are not shown

Visit website for warranty and installation information  
[www.jamesmartinvanities.com](http://www.jamesmartinvanities.com)

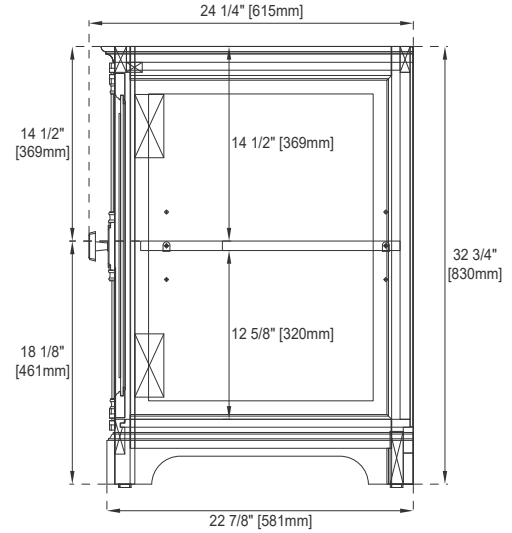
# 72" PROVIDENCE VANITY

# JAMES MARTIN VANITIES

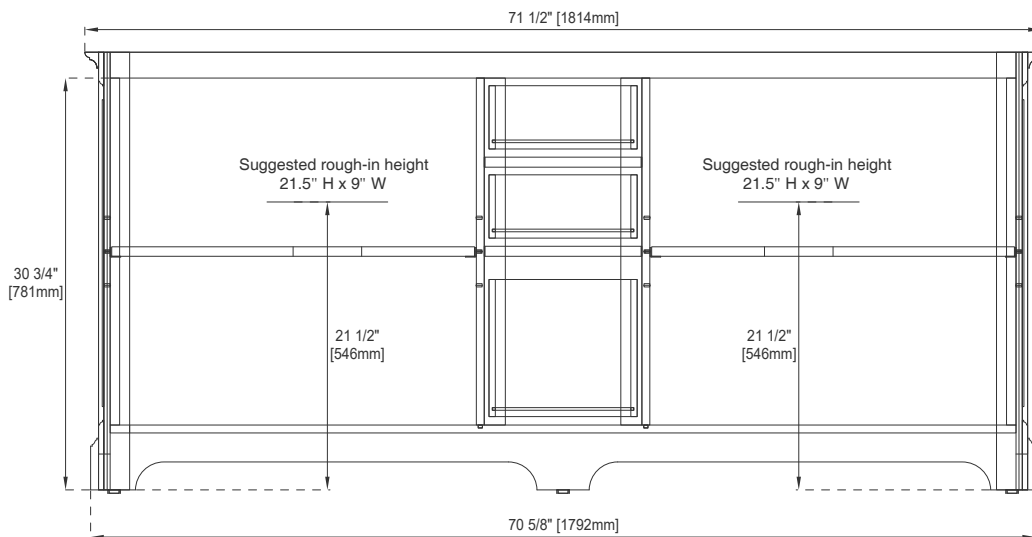
238-105-5711



Side View 1



Side View 2



Back View

All dimensions are nominal  
Diagrams are of cabinet only-James Martin Optional Countertops and sinks are not shown

Visit website for warranty and installation information  
[www.jamesmartinvanities.com](http://www.jamesmartinvanities.com)