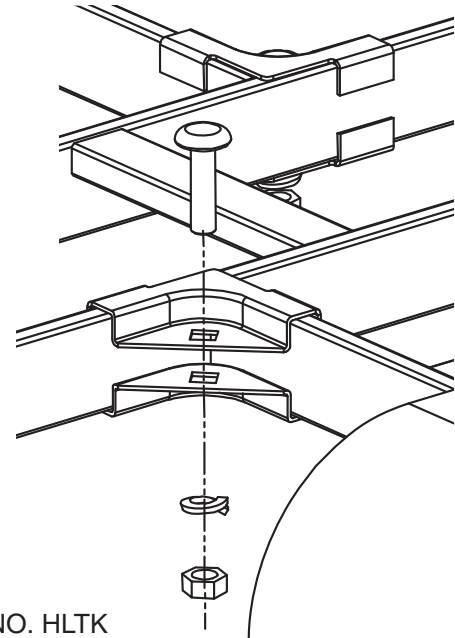
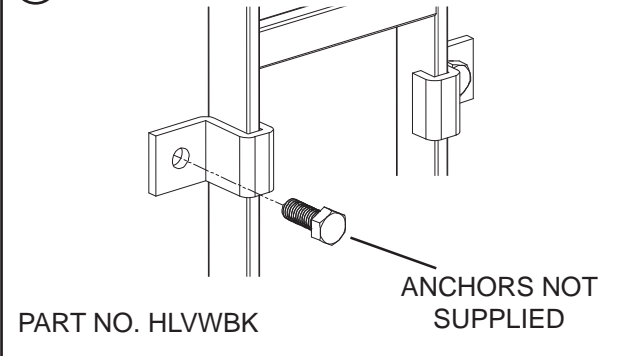


11 T-JUNCTION CORNER CLAMP



PART NO. HLTK

12 LADDER RACK VERTICAL WALL BRACKET



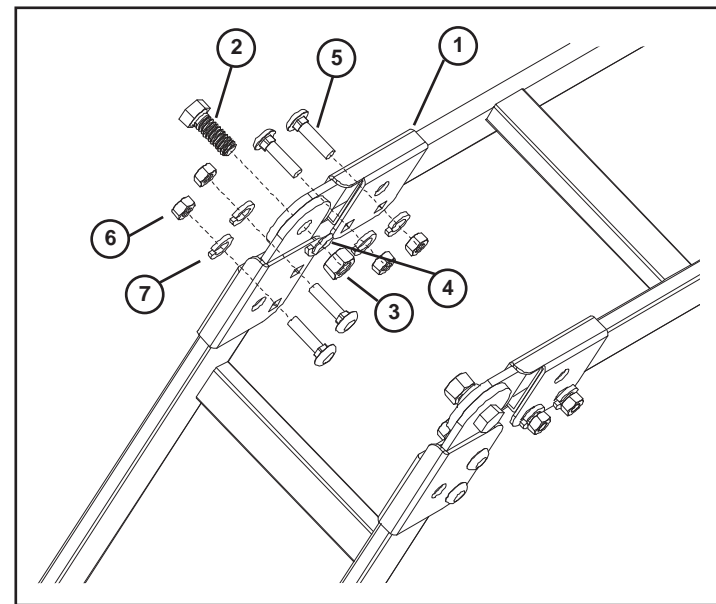
PART NO. HLVWBK

ANCHORS NOT SUPPLIED

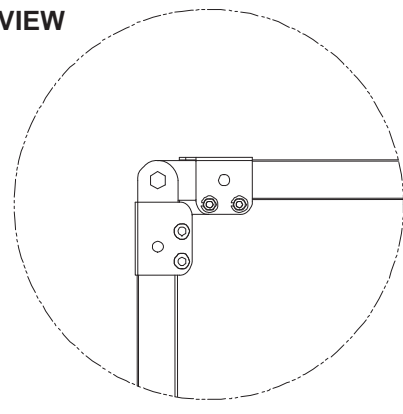
SWIVEL BUTT SPLICE KIT

Kit should contain:

Item	Description	Qty
1	Swivel butt bracket	4
2	3/8-16 x 1" hex bolt	2
3	3/8-16 hex nut	2
4	3/8 split lock washer	2
5	1/4-20 x 7/8" carriage bolt	8
6	1/4-20 nut	8
7	1/4-20 split lock washer	8



SIDE VIEW

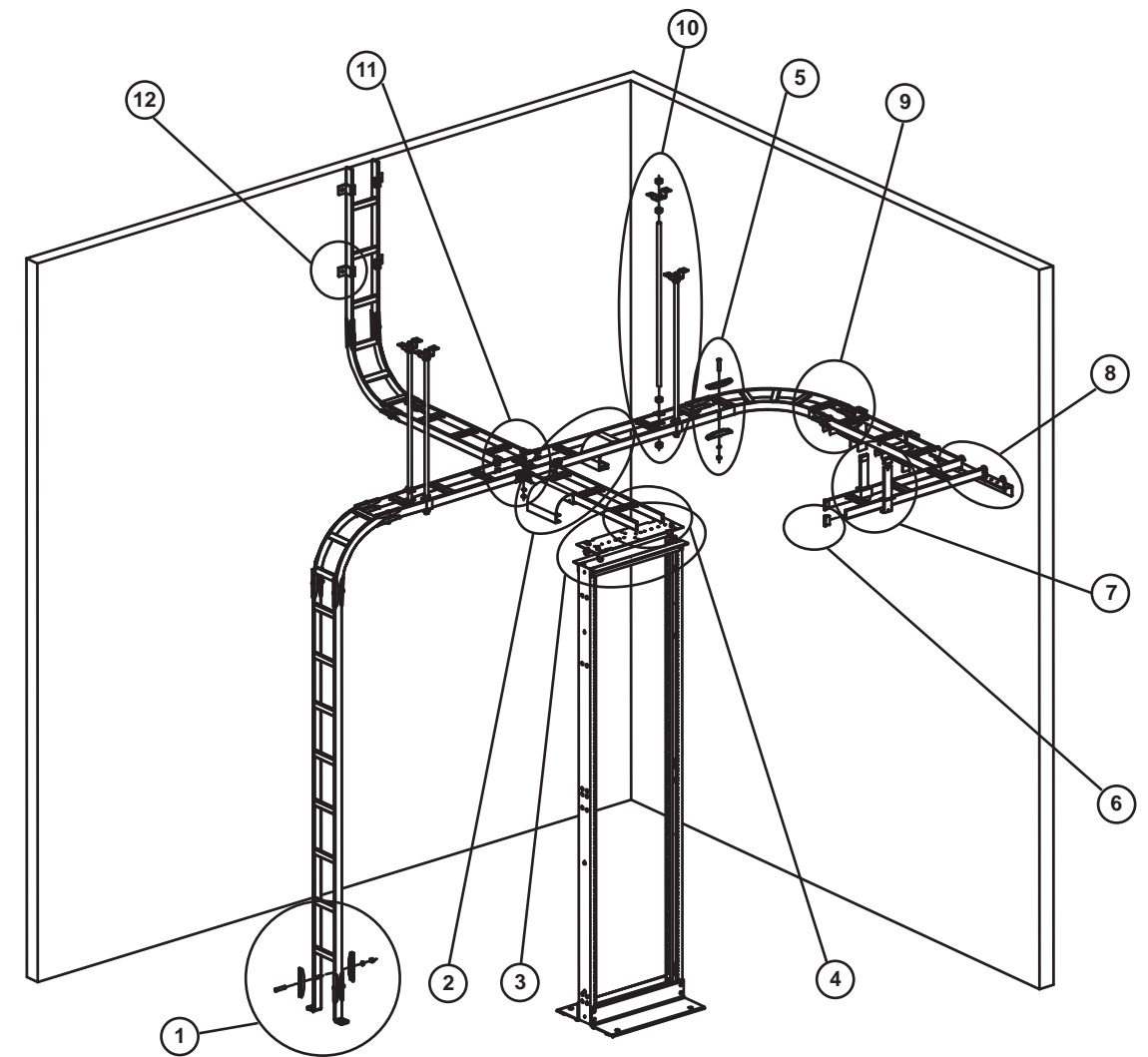


Hubbell Premise Wiring, HUBBELL INCORPORATED (Delaware)
23 Clara Dr Mystic, CT 06355 (800) 626-0005, Fax (860) 535-8328
www.hubbell-premise.com

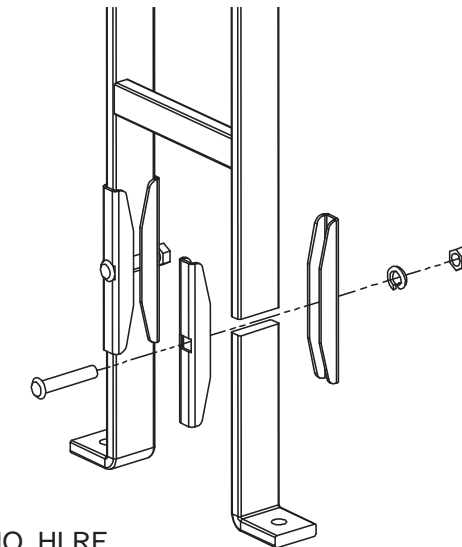


LADDER RACK

LADDER RACK ASSEMBLY

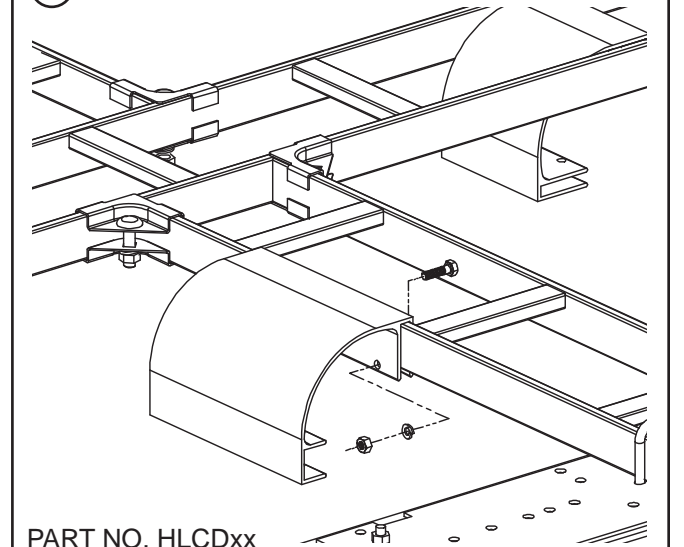


1 LADDER RACK VERTICAL FLOOR MOUNTING



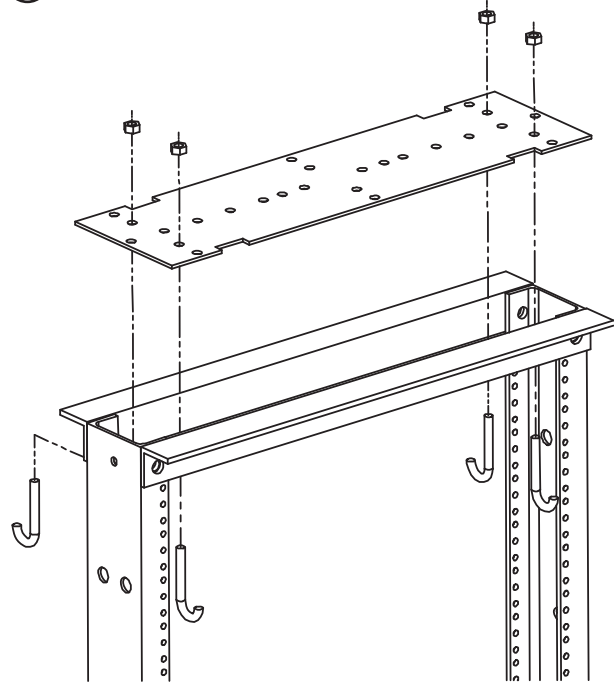
PART NO. HLRF

2 TRANSITION PAN



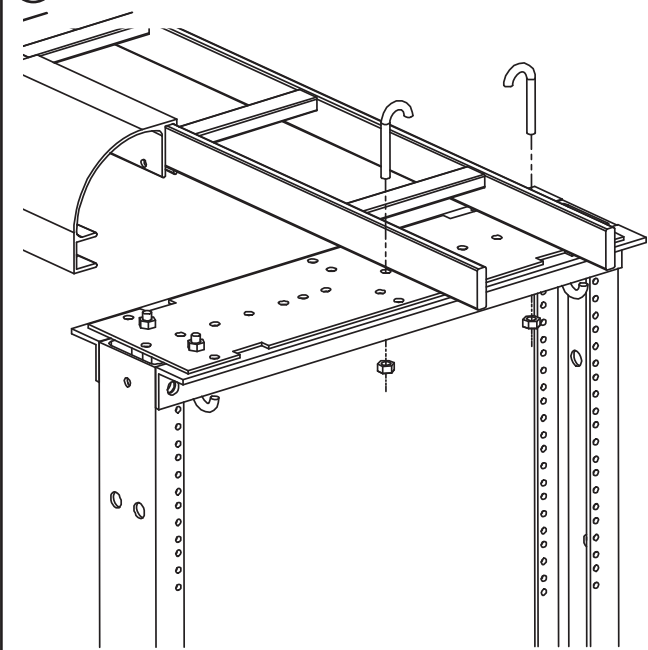
PART NO. HLCDxx

③ RACK MOUNTING PLATE

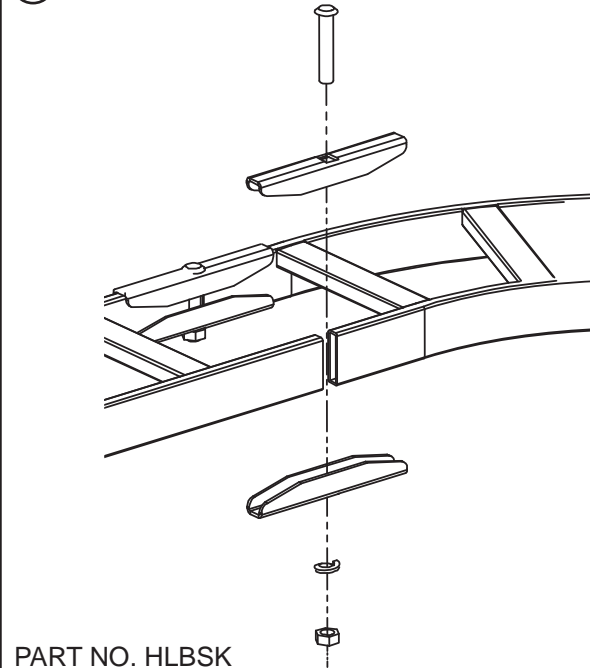


PART NO. HLMPK19

④ LADDER RACK MOUNTING

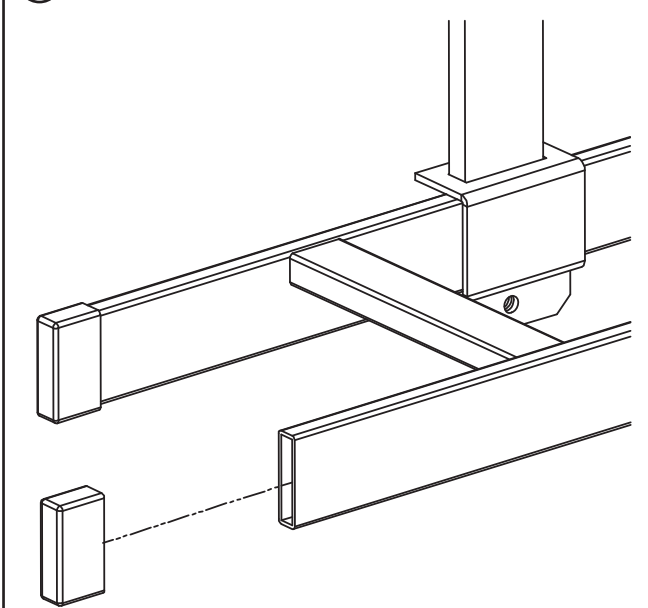


⑤ BUTT SPLICE



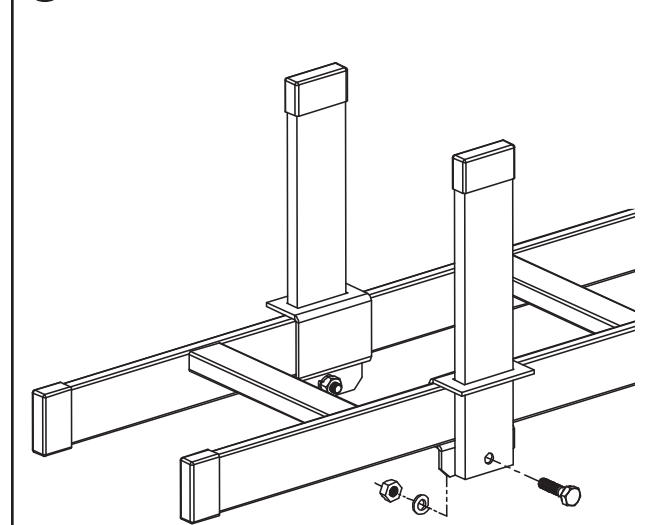
PART NO. HLBSK

⑥ END CAP



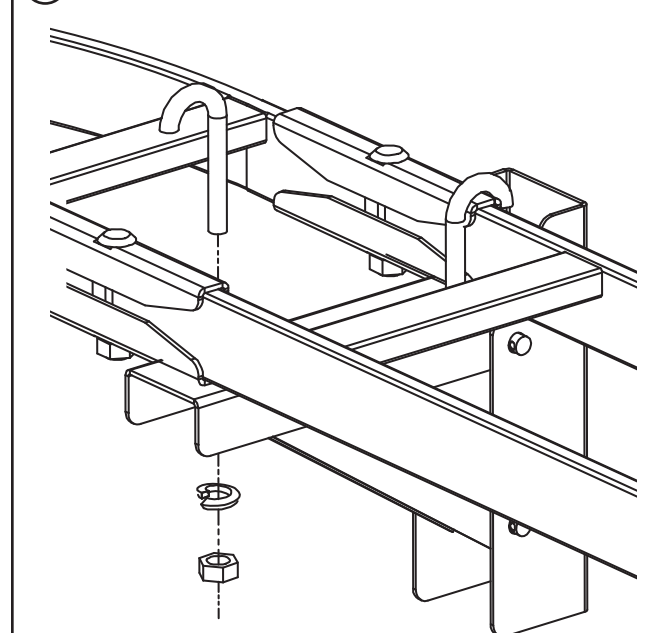
PART NO. HLECPK2

⑦ CABLE FENCE



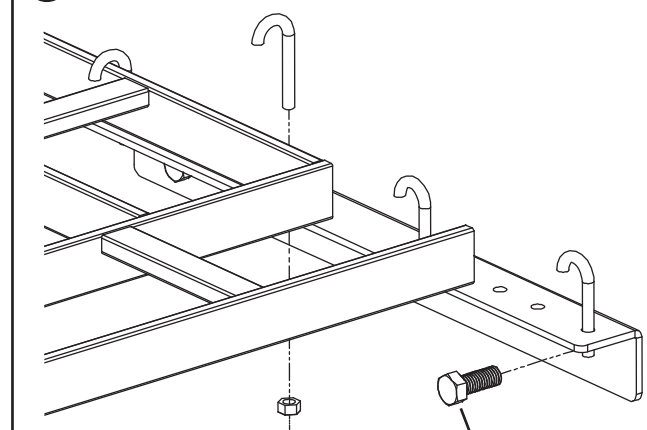
PART NO. HLPxxx

⑨ SHELF BRACKET



PART NO. HLTSBxx

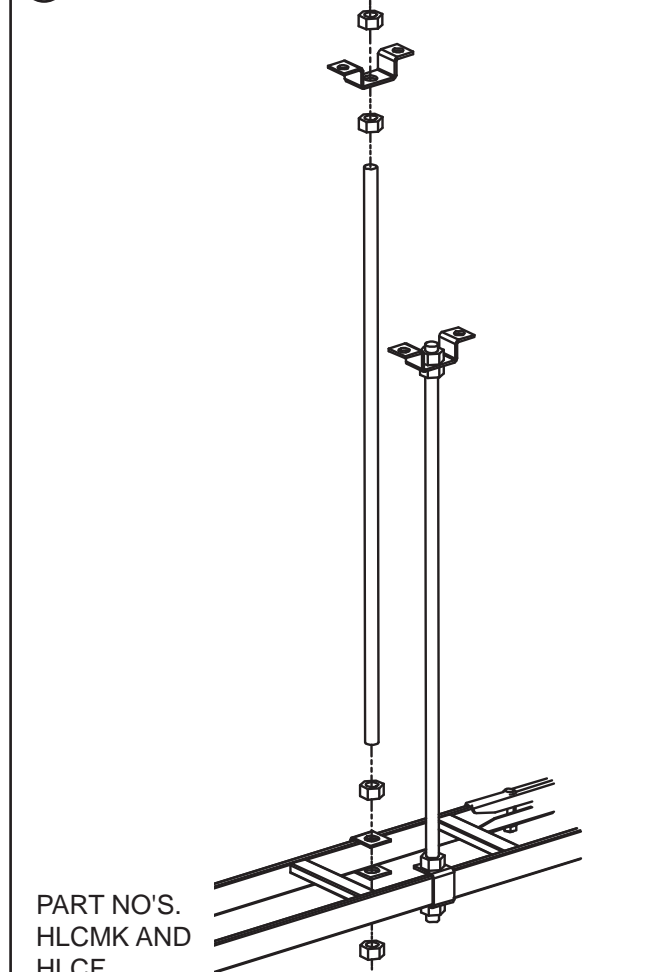
⑧ WALL SUPPORT BRACKET



PART NO'S.
HLX0612, HLX1518
AND HLX24

ANCHORS NOT
SUPPLIED

⑩ CEILING FITTING KIT



PART NO'S.
HLCMK AND
HLCF