





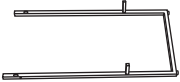
# Assembly Instructions

## Malone End Table

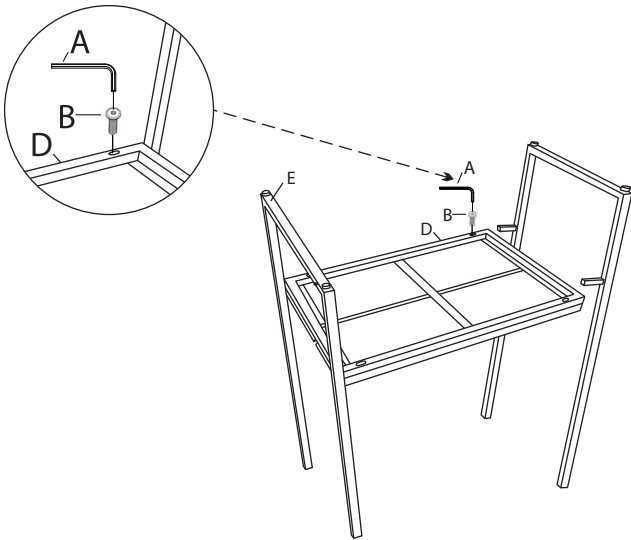
### HARDWARE LIST:-

NO.	DESCRIPTION	IMAGE	QTY
A	ALLEN KEY (4mm)		1
B	ALLEN BOLT (6X13mm)		8

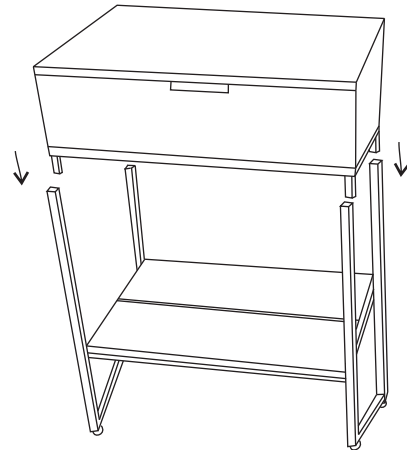
### PART LIST:-

NO.	DESCRIPTION	IMAGE	QTY
C	TABLE TOP		1
D	SHELF		1
E	METAL LEGS		2

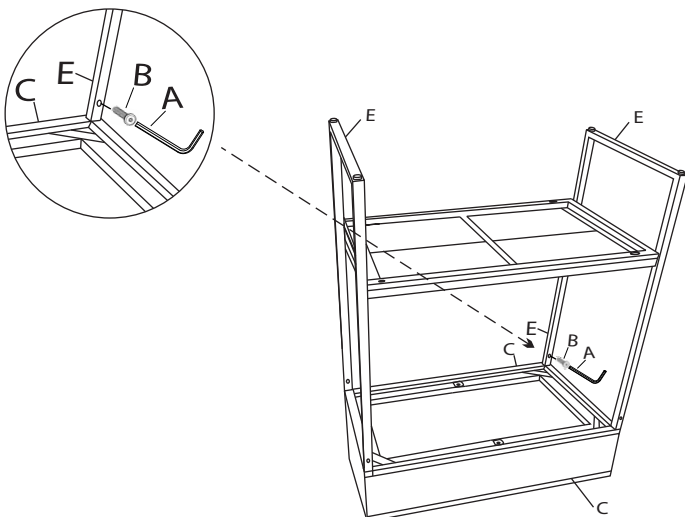
Step :- 1 Fix legs and shelf do not fully tighten bolts.



Step :- 2 Fix the top with legs.



Step :- 3 Tighten all bolts.



Step :- 4



Ready For Use