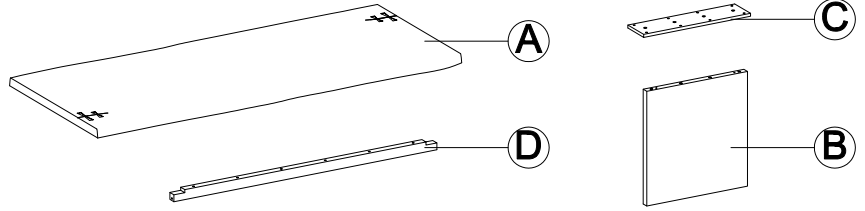


# ONE WOOD DINING TABLE ASSEMBLY INSTRUCTIONS



## PARTS PACKING CONFIGURATIONS

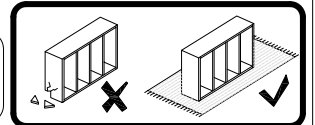
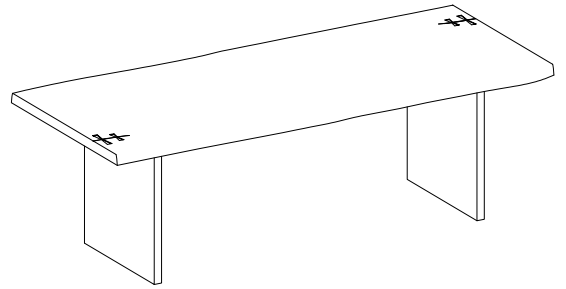
- A. TOP 1PC
- B. LEG 2PCS
- C. MOUNTING PLATE 2PCS
- D. TOP SUPPORT 1PC



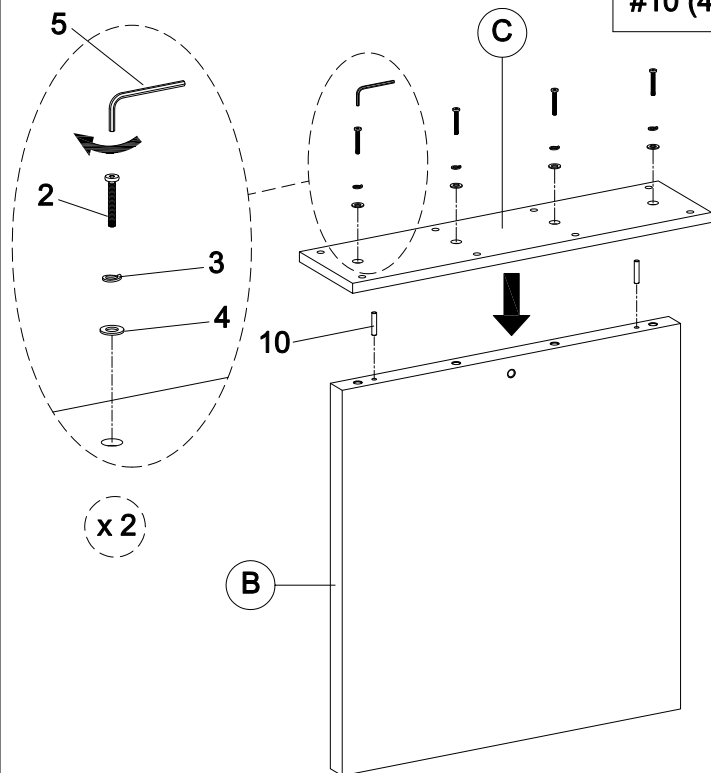
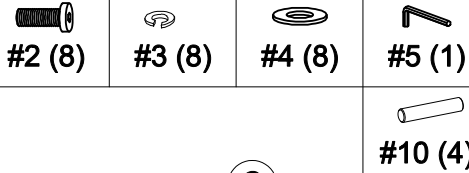
### HARDWARE KIT PACKED IN BOX

NO.	DESCRIPTION	IMAGE	Q'TY
1	ALLEN BOLT (5/16"x3")		6 PCS
2	ALLEN BOLT (5/16"x1-1/2")		24 PCS
3	LOCK WASHER (5/16")		30 PCS
4	FLAT WASHER (5/16")		30 PCS
5	ALLEN KEY (5mm)		1 PC
6	THREADED BOLT(5/16"x3")		2 PCS
7	HALF MOON WASHER(28x14x7mm)		2 PCS
8	HEX NUT (5/16")		2 PCS
9	WRENCH		1 PC
10	WOOD DOWEL(8x30mm)		4 PCS

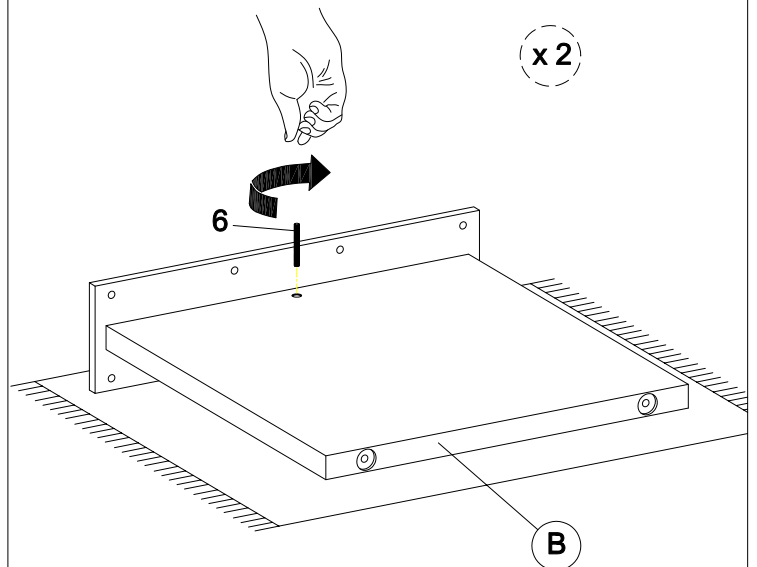
### FULLY ASSEMBLED



### Step 1:



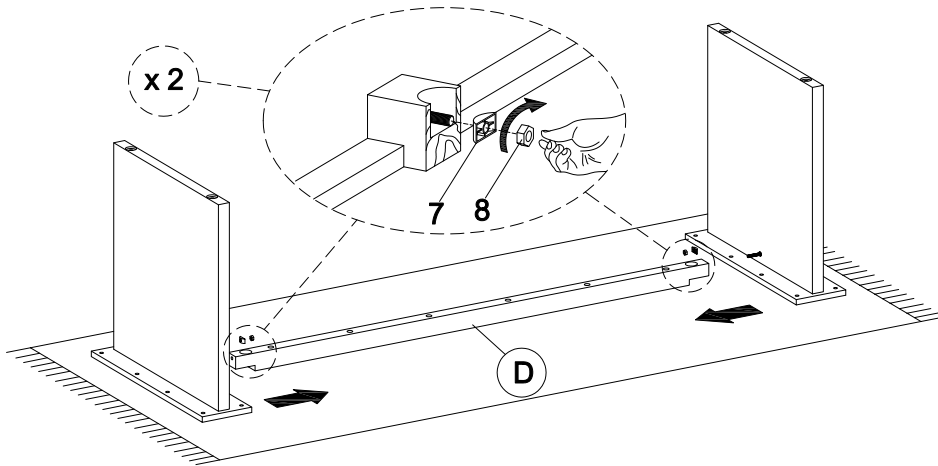
### Step 2:



# ONE WOOD DINING TABLE ASSEMBLY INSTRUCTIONS



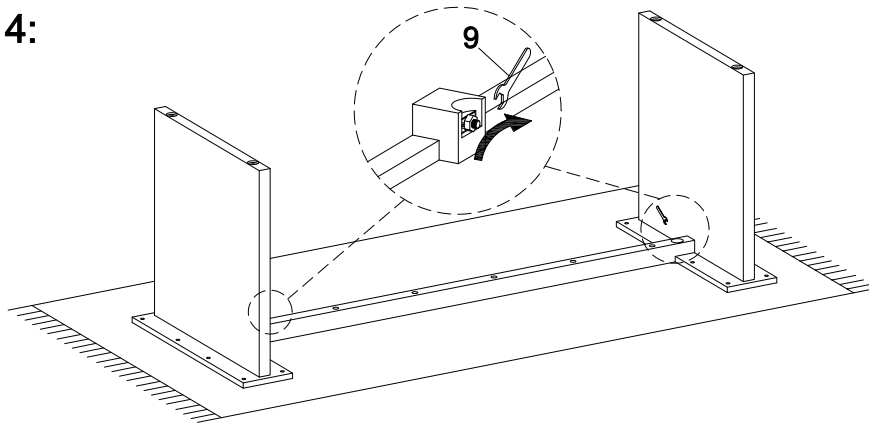
Step 3:



#7 (2)

#8 (2)

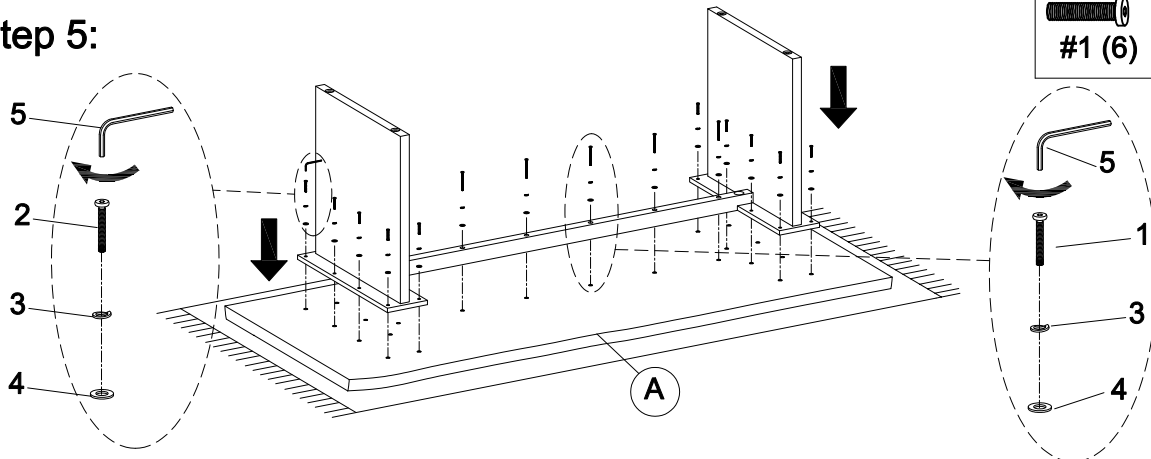
Step 4:



#9 (1)

NOTE: FULLY TIGHTEN BOTH  
HEX NUTS.

Step 5:



#1 (6)

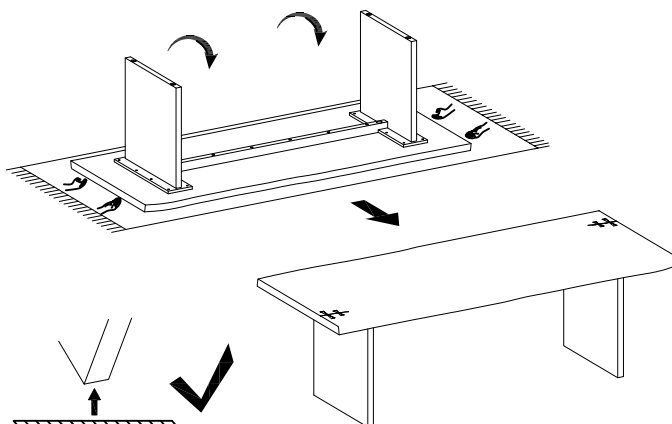
#2 (16)

#3 (22)

#4 (22)

#5 (1)

Step 6:



ASSEMBLY COMPLETE

