

ASSEMBLY INSTRUCTION

5566N SWIVEL COUNTER HEIGHT / BAR HEIGHT CHAIR WITH METAL LEG

A Seat Cushion **B** Back And Seat Frame **C** Upper Leg Frame **D** Lower Leg Frame **E** Bottom Ring



1pc



1pc



1pc

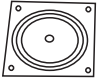


1pc



1pc

F Swivel **G** Allen Bolt 1/4*16mm **H** Allen Bolt 1/4*30mm **I** Screw 4*30mm **J** Flat Washer Dia.15*1mm



1pc



8pcs



4pcs



4pcs



12pcs

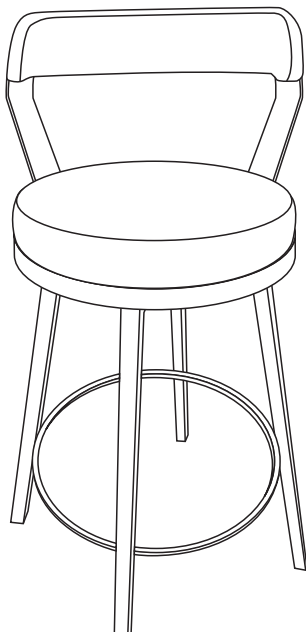
K Spring Washer Dia.10*1mm **L** Allen Key 4mm



12pcs

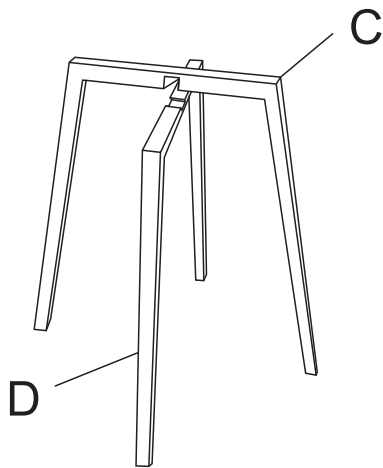


1pc



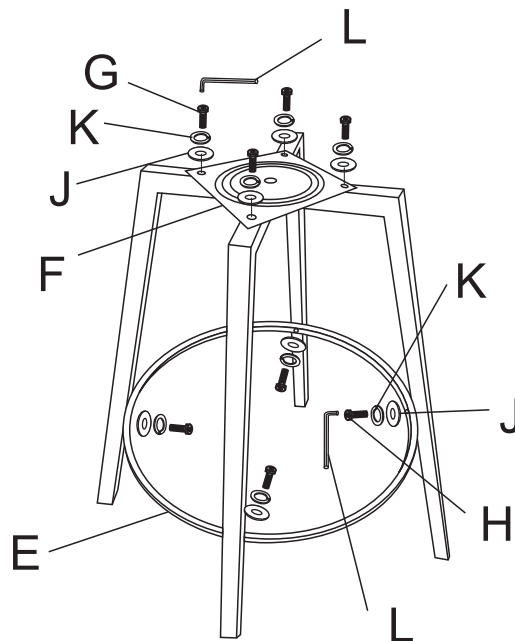
This page lists all the contents included in the box. Please take the time to identify the hardware as well as the individual components to this product. As you unpack and prepare for assembly, place the contents on a carpeted or padded area to protect them from damage.

1 PUT UPPER LEG FRAME (C) TO LOWER LEG FRAME (D).

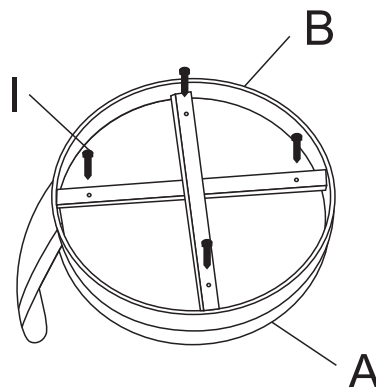


TAKE THE ALLEN WRENCH, AND TURN THE BOLTS UNTIL THE LEGS ARE SECURE. DO NOT TIGHTEN COMPLETELY. STOP WHEN YOU FEEL YOU ARE ADDING FORCE TO TIGHTEN THE BOLT.

2 ATTACHED SWIVEL (F) TO UPPER LEG FRAME (C), USE ALLEN BOLT (G) THROUGH FLAT WASHER (J) AND SPRING WASHER (K) ON HOLES OF SWIVEL (F), TURN THE ALLEN KEY (L) IN ALLEN BOLT (G). ATTACHED BOTTOM RING (E) TO UPPER LEG FRAME (C) AND LOWER LEG FRAME (D), USE ALLEN BOLT (H) THROUGH FLAT WASHER (J) AND SPRING WASHER (K) ON HOLES OF BOTTOM RING (E), TURN THE ALLEN KEY (L) IN ALLEN BOLT (H).

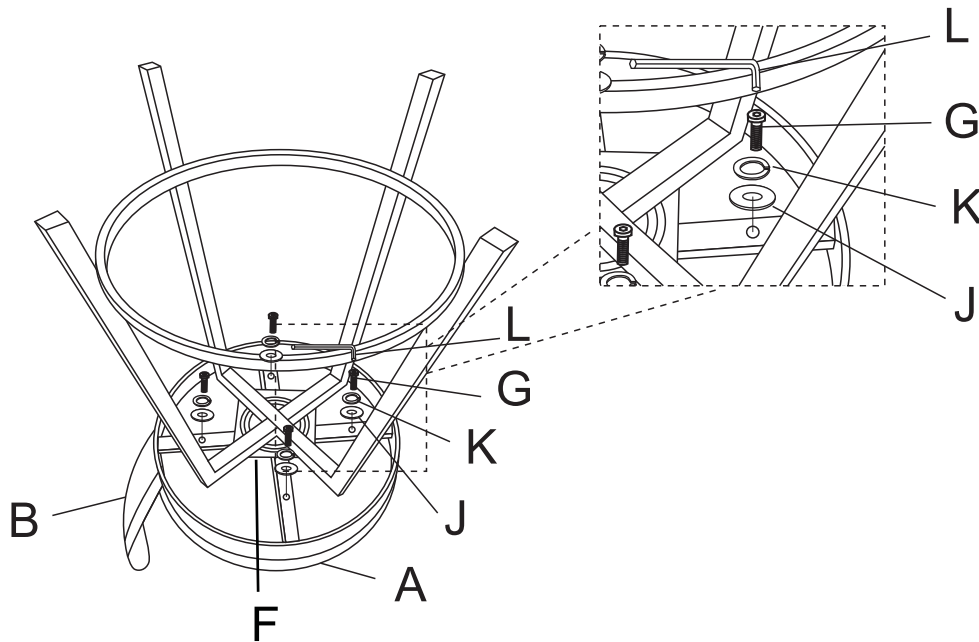


3 ATTACHED SEAT CUSHION (A) TO BACK AND SEAT FRAME (B), TURN SCREW (I) IN HOLES OF BACK AND SEAT FRAME (B).



4

PUT SWIVEL (F) TO BACK AND SEAT FRAME (B), USE ALLEN BOLT (G) THROUGH FLAT WASHER (J) AND SPRING WASHER (K) ON HOLES OF BACK AND SEAT FRAME (B), TURN THE ALLEN KEY (L) IN ALLEN BOLT (G).



Stand chair up on an even surface and check that it is balanced.
If there is a slight wobble, apply downward pressure in the corner where a leg is uneven. Keeping pressure in that corner, tighten all bolts.
If balanced, apply downward pressure evenly in the center and tighten all bolts.
Do not over-tighten beyond hole depth.

Helpful Tip:
-Instead of applying downward pressure while reaching under to tighten bolts, have someone sit in the chair while you tighten the bolts.

Cleaning & Care

Treat surface with care. Surface is resistant to scratches but is not scratch resistant. Clean surfaces with a dry or damp soft cloth. Do not use abrasive cleaners. Hardware may loosen over time.
Periodically check that all connections are tight.