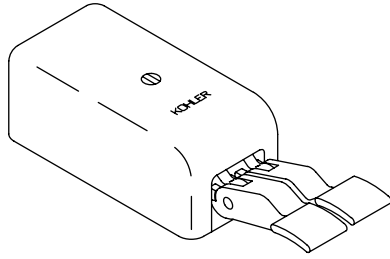


Installation Guide

Floor-Mount Foot Control

K-13808



M product numbers are for Mexico (i.e. K-12345**M**)
Los números de productos seguidos de
M corresponden a México (Ej.
K-12345**M**)
Français, page "Français-1"
Español, página "Español-1"

THE BOLD LOOK
OF **KOHLER**®

105344-2-AD

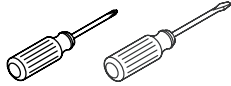
Tools and Materials



Adjustable
Wrench



Thread
Sealant



Various
Screwdrivers

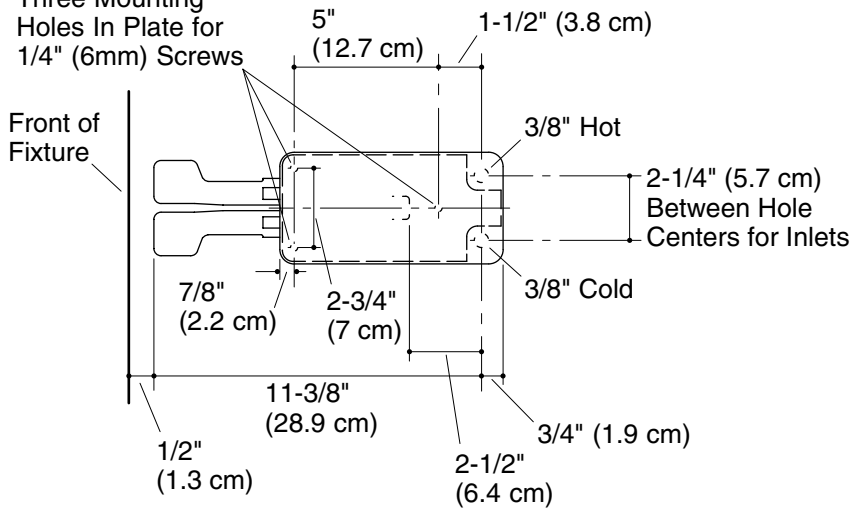
Plus:

- Three (3) Flathead
Screws

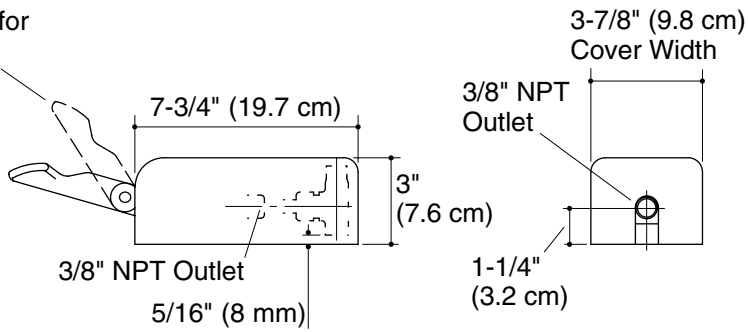
Before You Begin

- Shut off the main water supply.
- Observe all local plumbing codes and building codes.
- Kohler Co. reserves the right to make revisions in the design of products without notice, as specified in the Price Book.

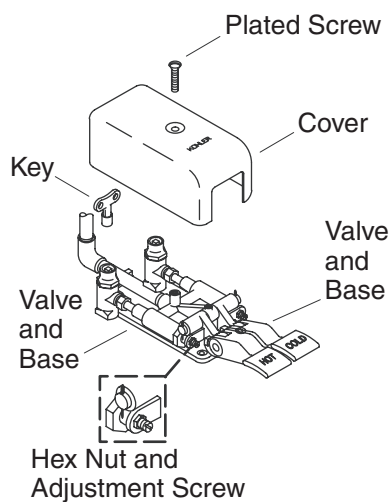
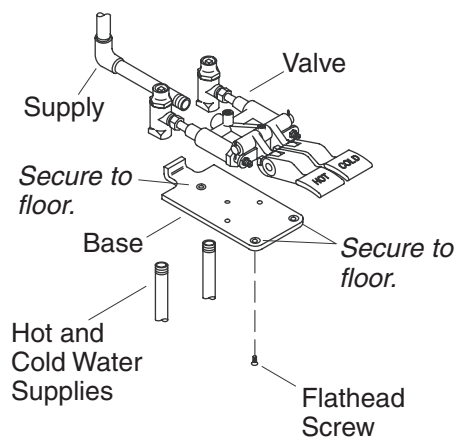
Three Mounting Holes In Plate for 1/4" (6mm) Screws



Pedal in Raised Position for Cleaning



Roughing-In



1. Install the Foot Control

Secure the Base

- Securely tighten the base to the valve with three flathead screws (provided).
- Connect the lavatory or sink supply to the valve. Refer to the instructions packed with the lavatory or sink supply.

NOTE: Before securing the base to the finished wall, make sure that sufficient reinforcement has been added to the finished wall.

- Using three (3) flathead screws (not provided), secure the base to the floor.

Connect the Supplies

- Apply thread sealant to both the hot and cold water supplies.
- Connect the hot and cold water supplies to the valve.
- Fit the cover in place over the valve and base.

NOTE: If the foot pedals make contact with the cover, the height of the foot pedals must be adjusted. Remove the cover from the valve

Install the Foot Control (cont.)

and base. Loosen the hex nuts on the adjustment screws until the foot pedals are even and will no longer touch the cover. Retighten the hex nuts. Reinstall the cover over the valve and base, then recheck the height of the pedals.

Installation Checkout

- Turn on the water supply.
- Using the key (provided), fully open the valve supply stops. Check for leaks and repair as needed.
- Secure the cover to the valve with the plated screw.