

6042HW – EVERYDAY BATHS

60 x 42 x 25 inches

SOAKER MODEL #6042HW

WHIRLPOOL MODEL #6042HWWP



FEATURES

- Alcove bath
- Integral arm rests
- Ergonomic backrest
- Integral tiling flange (3T)
- Integral skirt
- Slip-resistant textured bottom
- 8" wainscot
- Left or right hand drain
- AcrylX™ applied acrylic surface
- Lifetime limited warranty

Whirlpool Features:

- 6 directional hydrotherapy jets
- Available in White and Biscuit/Linen only
- Color matched trim
- 2 air controls
- Pneumatic on/off control
- Advanced safety suction system

AQUATIC ADVANTAGE

- National distribution
- 7 manufacturing facilities
- Private fleet
- Centralized customer service
- Field support

COLOR OPTIONS

Stock	Upgraded	Premium
White	Almond Biscuit/Linen Bone	Black Mexican Sand Sand Bar Sterling Silver

OPTIONS

- Removable access panel (whirlpool models)
- Designer drain, waste & overflow

CODE COMPLIANCE

- CSA B45.5/IAPMO Z124
- ADA*
- ICC/ANSI A117.1**

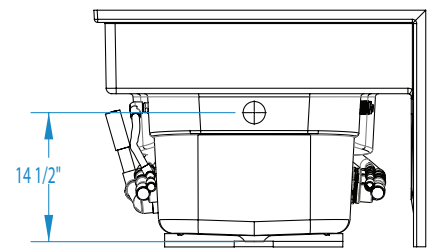
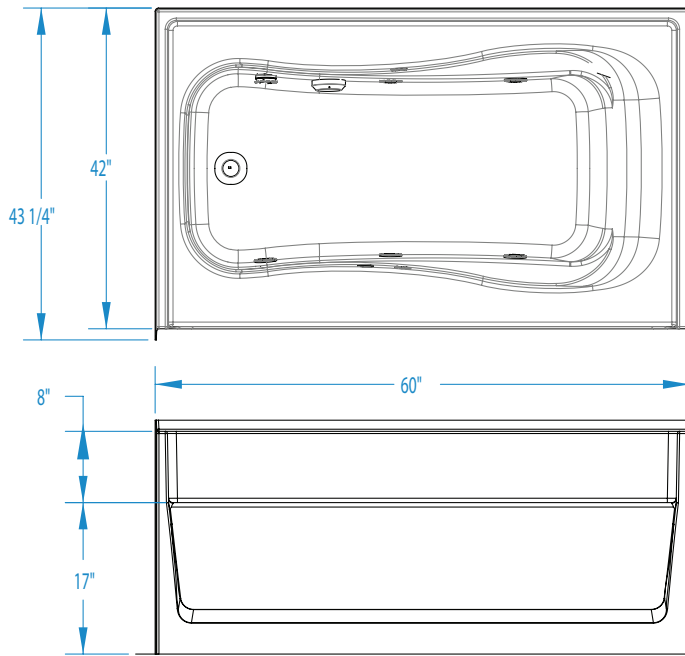
*ADA compliant when installed to the specific requirements of these regulations

**ICC/ANSI A117.1 compliant when installed to the specific requirements of these regulations



6042HW

60 x 42 x 25 inches



FEATURES lbs Dimensional Tolerance $\pm \frac{3}{16}$ ". Dimensions needed for site preparation should be measured from the unit. Aquatic assumes no responsibility for preparatory work.

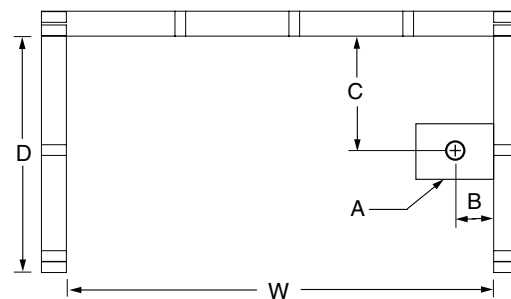
Model #	Material	Jets	Motor	Controls	Drain	Net Wt.	Pkg. Wt.
Soaker #6042HW	AcrylX™	0	-	-	LH or RH	81	86
Whirlpool #6042HWWP	AcrylX™	6	63 GPM	Pneumatic	LH or RH	131	136

DIMENSIONS

Specifications	inches
Width: Overall / Net	60
Depth: Overall / Net	43 1/4 / 42
Height: Overall / Net	26 1/4 / 25
Enclosure Opening	57
Skirt Height	17
Drain Rough-In (from Back Wall)	21
Drain Rough-In (from Side Wall)	2 1/4
Drain: Diameter / Clearance	2 / 3/4

FRAMING DIMENSIONS inches

Type	D Depth	W Width	H Height	A	B	C
Alcove	43 1/4	60 1/8	16 3/4	Box Out	2 1/4	21



SUMP DATA

Top of Drain to Bottom of Overflow	Capacity to Overflow gal	Min. Operating Capacity gal	WIDTH @ centerline		DEPTH @ centerline	
			Top	Bottom	Top	Bottom
12 1/2	65	50	54	44	26	23