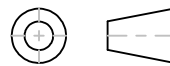


THIRD ANGLE PROJECTION



GENERAL NOTES

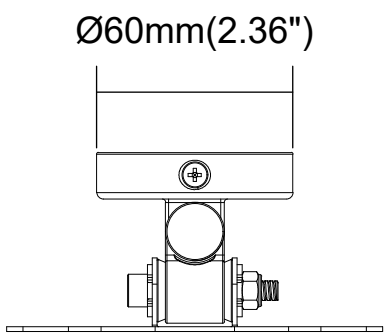
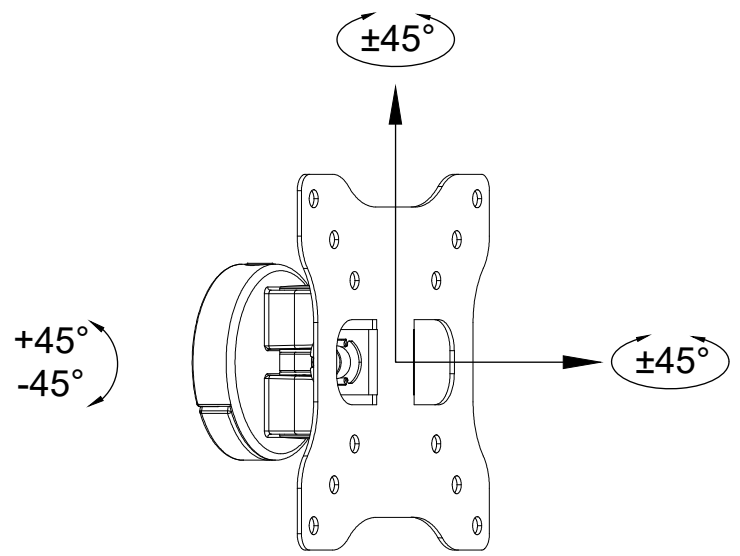
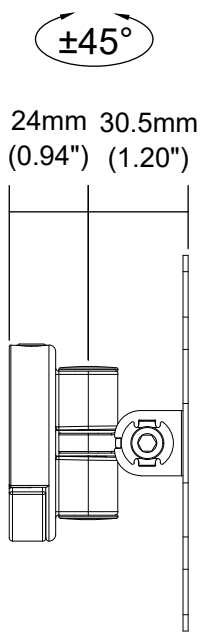
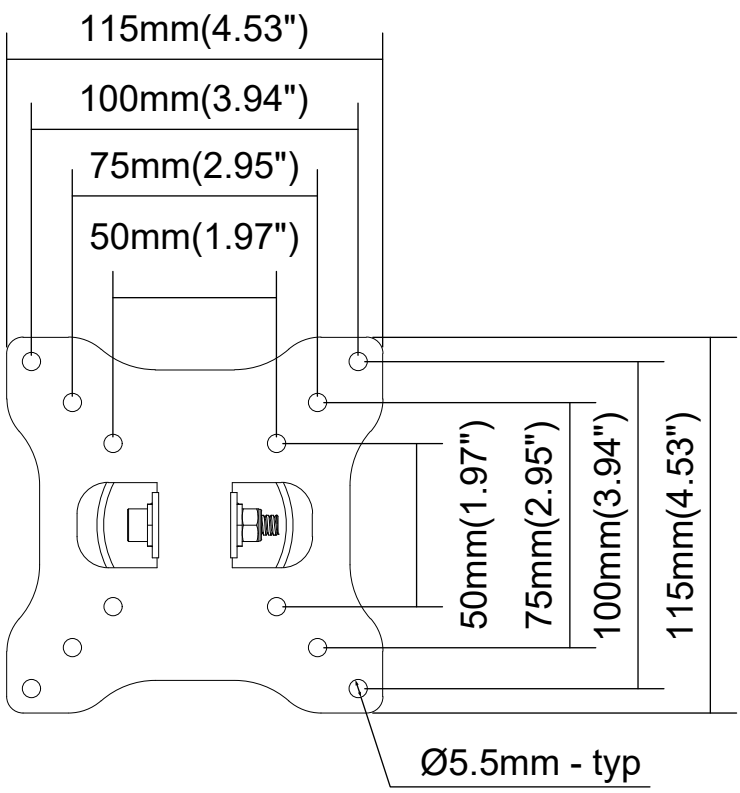
DIMENSIONS ARE IN MM - DO NOT SCALE
 THIS DOCUMENT CONTAINS CONFIDENTIAL,
 PROPRIETARY INFORMATION THAT IS
 PROPERTY OF STARTECH.COM

StarTech.com

PRODUCT ID	ARMWALL		
DESCRIPTION	MONITOR WALL MOUNT - ALUMINUM		
DO NOT SCALE	SHEET: 1 OF 2	UPLOAD DATE: 4/02/2025	

8 7 6 5 4 3 2 1

F
E
D
C
B
A



THIRD ANGLE PROJECTION				<h1>StarTech.com</h1>	
GENERAL NOTES DIMENSIONS ARE IN MM - DO NOT SCALE THIS DOCUMENT CONTAINS CONFIDENTIAL, PROPRIETARY INFORMATION THAT IS PROPERTY OF STARTECH.COM					
		DESCRIPTION	MONITOR WALL MOUNT - ALUMINUM		
		DO NOT SCALE	SHEET: 2 OF: 2	UPLOAD DATE: 4/02/2025	

8 7 6 5 4 3 2 1