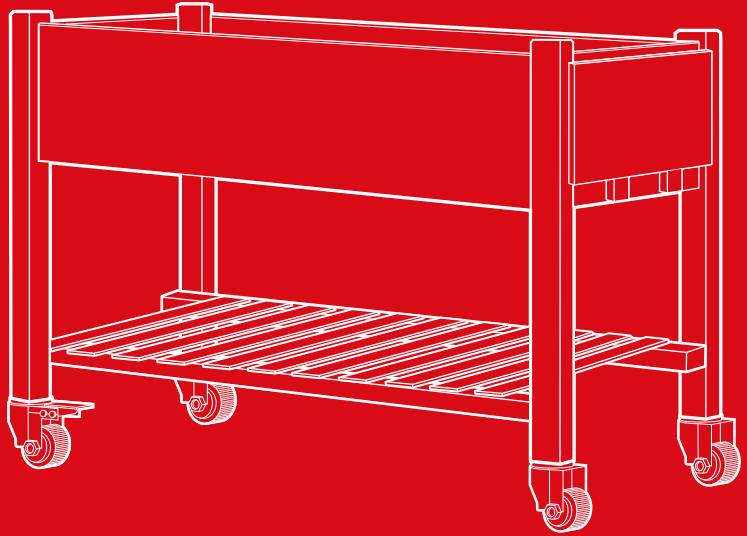




bestchoiceproducts



# INSTRUCTION MANUAL

---

Elevated Planter Bed with  
Sidetables and Shelf



bestchoiceproducts

---

As shoppers, we're always trying to find the perfect balance between quality & value. At BCP, we believe we've achieved that. Our diverse catalog of everyday essentials is tailored especially to our customers & guaranteed to hit that sweet spot of high quality & low price.

— Always. —

## ! NOTICE

Please retain these instructions for future reference.

- Do not stand on or use any part of this item as a step ladder.
- Firmly secure all bolts, screws and knobs before use.
- Reconfirm that all bolts, screws, and knobs are secure every 90 days.
- Fasten screws loosely during initial assembly. Do not firmly tighten the screws until the item is completely assembled.
- Do not use or store this item in the proximity of open flame or flammable/combustible chemicals.
- Be aware that some parts are heavy and have sharp edges.
- If any parts are missing, broken, damaged, or worn, stop using this product until repairs are made and/or factory replacement parts are installed.
- Do not use this item in a way inconsistent with the manufacturer's instructions as this could void the product warranty.
- This item is made of wood and may expand due to moisture

## TOOLS REQUIRED



PHILLIPS  
SCREWDRIVER



SMALL WRENCH  
(PROVIDED)



FLAT HEAD  
SCREWDRIVER



1 PERSON  
ASSEMBLY



APPROXIMATELY  
20 MIN.  
ASSEMBLY

## HARDWARE

1

M4.2 X 40MM  
SCREW



24 PCS

2

M4.2 X 30MM  
SCREW



8 PCS

3

M6 X 85 BARREL  
NUT & BOLT SET



4 PCS

4

M6 X 80 BOLT  
& WASHER SET



4 PCS

5

M4.2 X 25MM  
SCREW



44 PCS

6

LOCKING  
CASTER



2 PCS

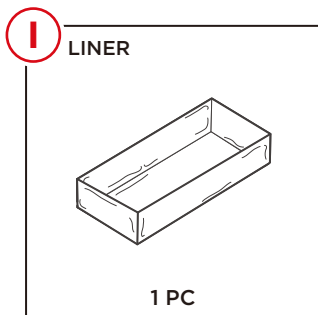
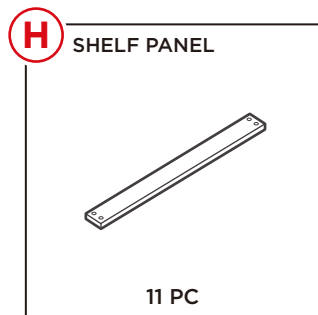
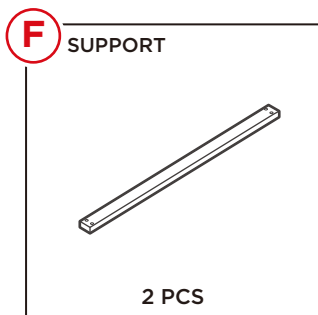
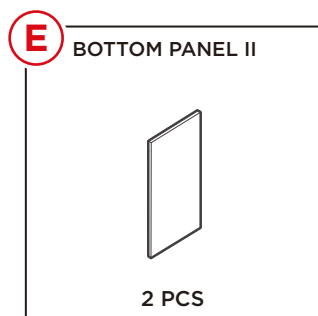
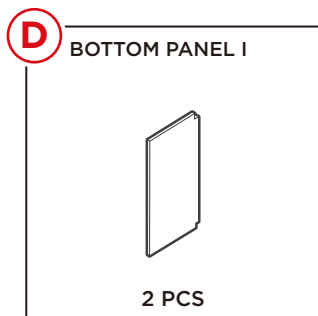
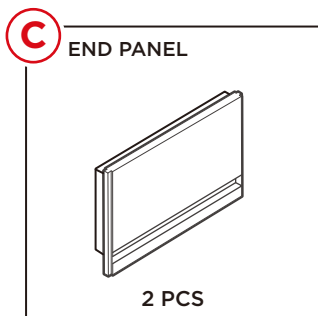
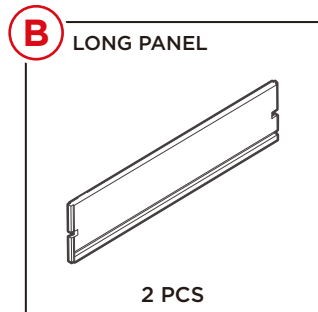
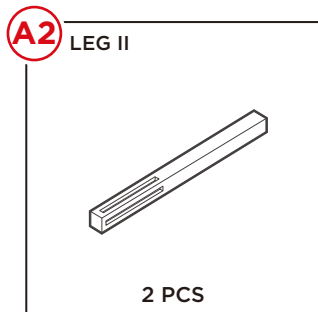
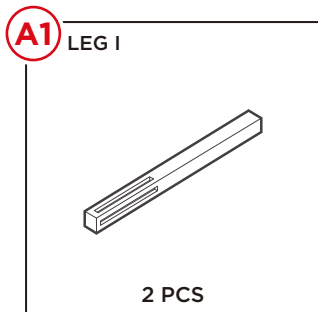
7

CASTER



2 PCS

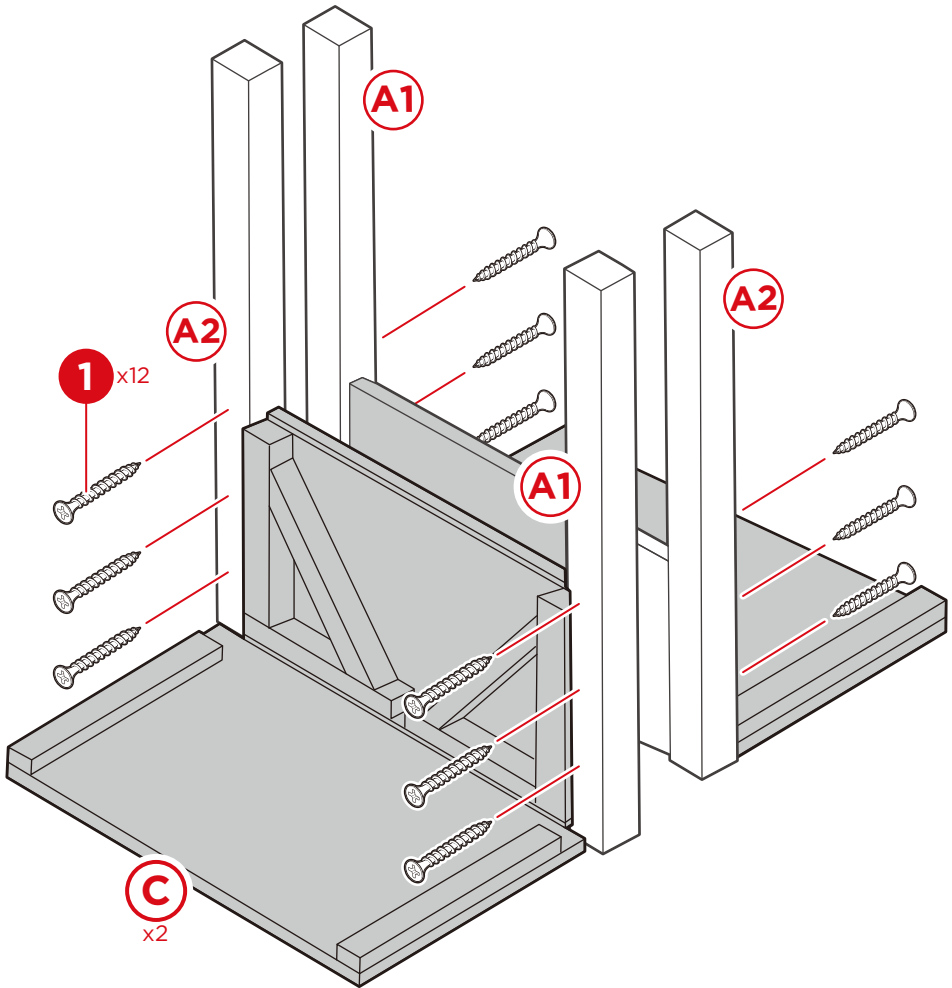
# PARTS



## PRODUCT ASSEMBLY

1

Attach one part C end panel to one part A1 leg and one part A2 leg with six part 1 screws, three screws per leg. Repeat to assemble the other end.

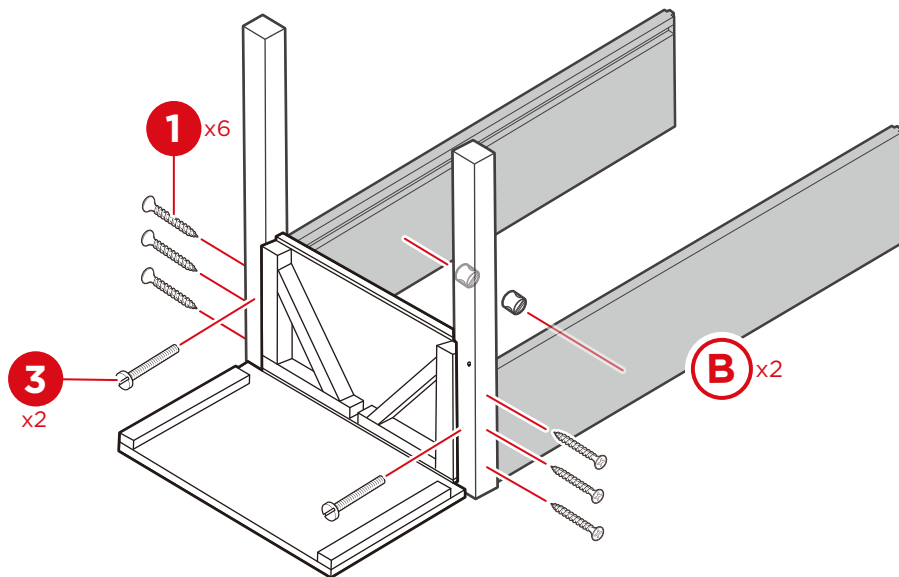


## PRODUCT ASSEMBLY

**2**

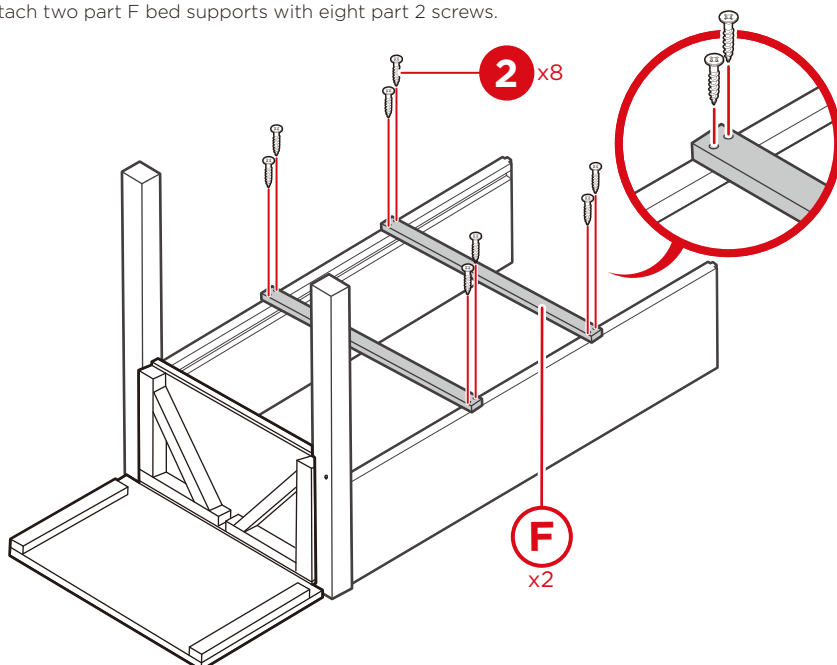
Insert a part 3 barrel nut into a part B long panel and secure to the part C end panel with a corresponding barrel bolt. Repeat to secure the other side.

Secure the two part B long panels with six part 1 screws.



**3**

Attach two part F bed supports with eight part 2 screws.

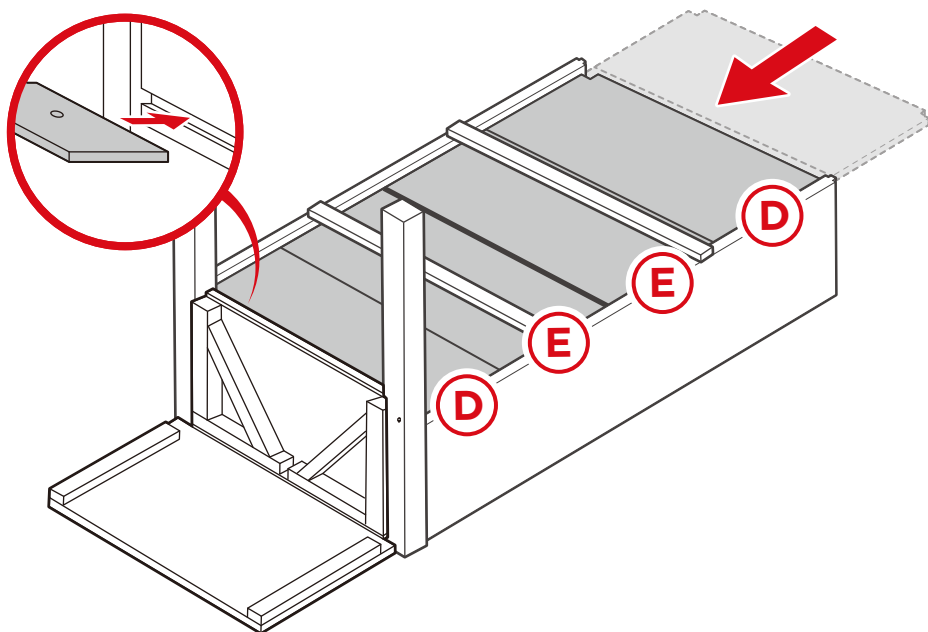


## PRODUCT ASSEMBLY

4

Slide two part D and to part E bottom panels into the designated slots.

When inserting the part D panels push them flush against the part A (1&2) legs.



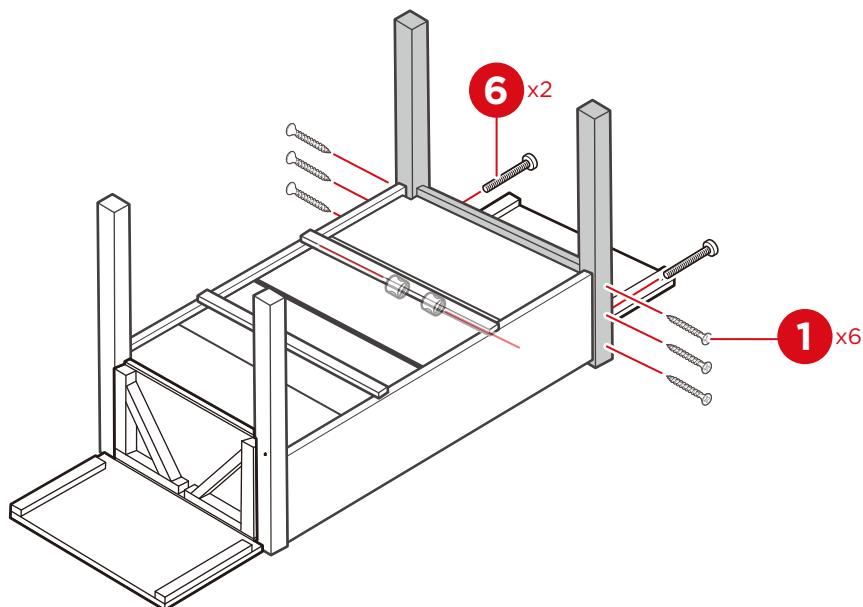
There will be a slight gap between the two D panels, this is normal and will reduce warping from moisture.

## PRODUCT ASSEMBLY

5

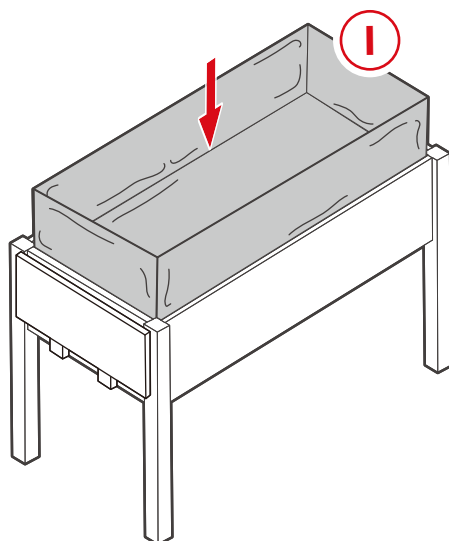
Insert a part 3 barrel nut into a part B long panel and secure to the part C end panel with a corresponding barrel bolt. Repeat to secure the other side.

Secure the part C end panel with six part 1 screws.



6

Flip the planter onto its legs. Insert the part I liner.

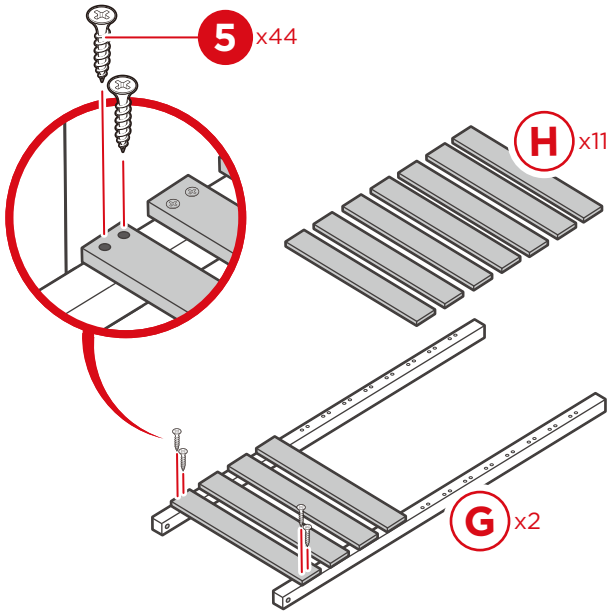




## PRODUCT ASSEMBLY

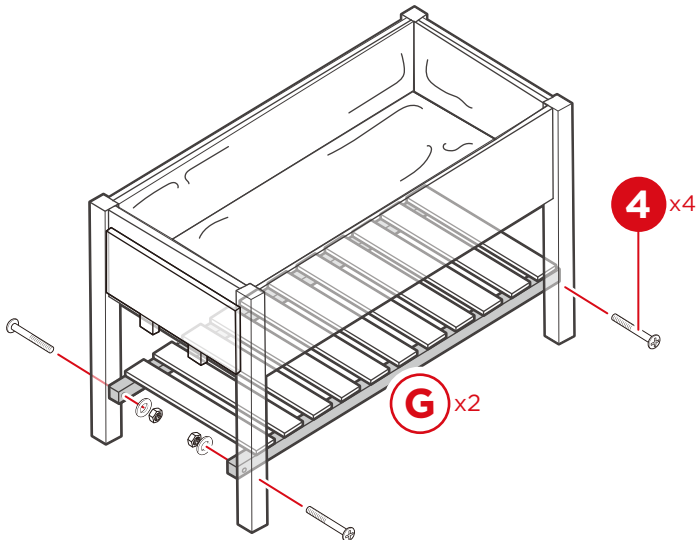
7

Locate two part G leg supports and attach eleven part H shelf panels with forty-four part 5 screws.  
**NOTE:** Use four screws per panel, two screws on each side.



8

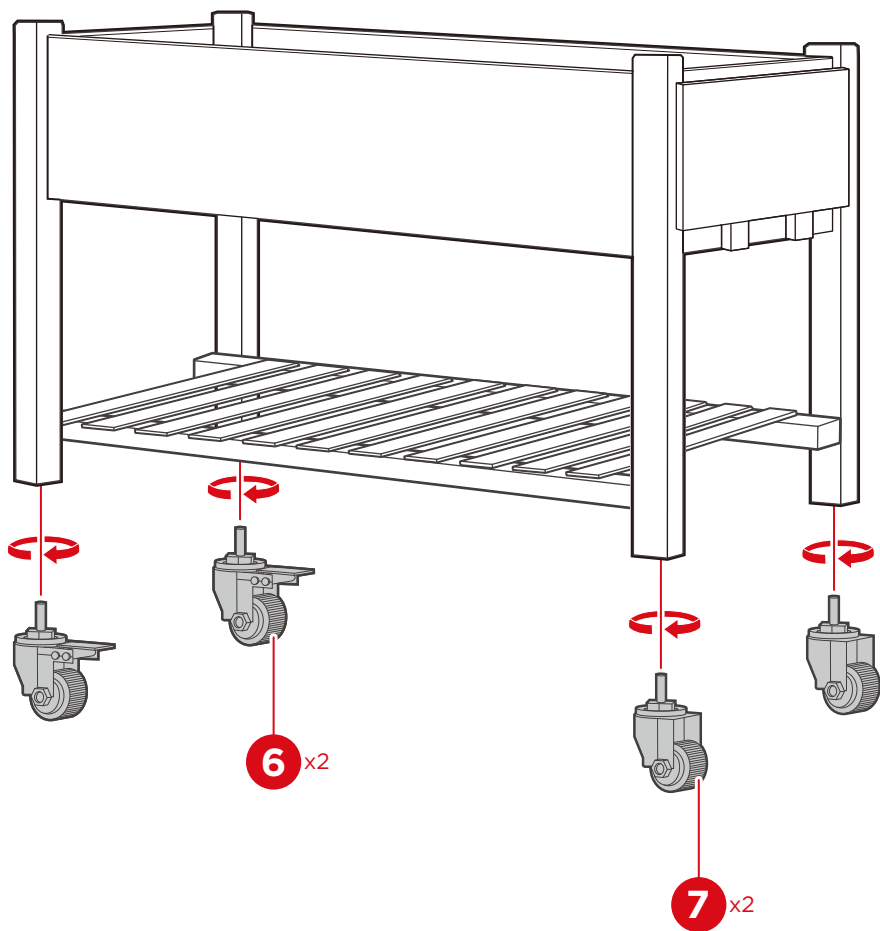
Attach the shelf assembly by connecting the two part G leg supports to the part A1 & A2 legs with four part 4 bolt and washer sets.



## PRODUCT ASSEMBLY

9

Screw in two part 6 locking casters and two part 7 casters.



Earn points while you shop. Join today!

bestchoiceproducts  
**rewards**\$

Join | Earn | Redeem

Give your friends 15% off their first order! For each successful referral you'll receive 100 points.

[bestchoiceproducts.com](https://bestchoiceproducts.com)



# HELP CENTER



Question about your product? We're here to help. Visit us at:

[help.bestchoiceproducts.com](http://help.bestchoiceproducts.com)



Product Assembly



Returns & Refunds

## PRODUCT WARRANTY INFORMATION

All items can be returned for any reason within 60 days of the receipt and will receive a full refund as long as the item is returned in its original product packaging and all accessories from its original shipment are included. All returned items will receive a full refund back to the original payment method. All returned items will not be charged a re-stocking fee.

All returned items require an RA (Return Authorization) number, which can only be provided by a Best Choice Products Customer Service Representative when the return request is submitted. Items received without an RA may not be accepted or may increase your return processing time. Once an item has been received by Best Choice Products, refunds or replacements will be processed within 5 business days.

All returns must be shipped back to the Best Choice Products Return Center at the customer's expense. If the reason for return is a result of an error by Best Choice Products then Best Choice Products will provide a pre-paid shipping label via email. Boxes for return shipping will not be provided by Best Choice Products, and is the customer's responsibility to either use the original shipping boxes or purchase new boxes.

Pictures may be required for some returns to ensure an item is not damaged prior to its return. Items returned are not considered undamaged until they are received by Best Choice Products and verified as such. All damages to items are the customer's responsibility until the item has been received by and acknowledge by Best Choice Products as undamaged.

## WARNING

Manufacturer and seller expressly disclaim any and all liability for personal injury, property damage or loss, whether direct, indirect, or incidental, resulting from the incorrect attachment, improper use, inadequate maintenance, unapproved modification, or neglect of this product.