



## Water Closet & Flushometer Combo

### WETS-2451.1201-CN

#### Product description

Carbon Neutral, ST-2459 Water Closet and SOLIS 8111 Flushometer.

#### Compliances & Certifications



(BREEAM Materials Credit, BREEAM Water Credit, Carbon Neutral, Carbon Offset, EPD, Green Globes Credit, Green Globes Water, HPD, LEED Credit, LEED HPD, LEED Water, Satisfies LEED Credits, WELL Building Standard)

#### Code 24511201T

##### Downloads

- [SS:ST:SU:WETS:WEUS Fixtures Repair and Maintenance Guide.pdf](#)
- [Fixture Brochure.pdf](#)
- [Additional Downloads](#)

##### Videos

- [Sloan – Company Overview](#)

---

## Details

- Flush Volume: 1.1 gpf (4.2 lpf)

---

## Features

- Handle Packing, Main Seat, Stop Seat and Vacuum Breaker Molded from PERMEX® Rubber Compound for Chloramine resistance
- User friendly three (3) second Flush Delay
- “Low Battery” Flashing LED
- Sweat solder adapter with cover tube and cast wall flange with set screw
- State-of-the-art photovoltaic technology delivers solar operation
- Solar Powered- The sensor assembly is powered by a solar cell that will harvest power from the artificial indoor light (incandescent, fluorescent or LED), and use it as the energy source. The solar cell can provide approximately 100% power with 650 illuminance (lux).
- Four (4) Size AA Battery Back-up Power Source
- Operates by means of an infrared sensor with multiple-focused, lobular sensing fields for high and low target detection
- Fixed Metering Bypass and No External Volume Adjustment to Ensure Water Conservation
- Flex Tube Diaphragm designed for improved life and reduced maintenance
- Designed to maximize and complement Sloan flushometers
- Universal model works with Sloan flushometers from 1.1 to 1.6 gpf
- Durable, hygienic vitreous china construction with elongated rim
- Syphonjet flushing achieves 1000g Map Scores when used with Sloan flushometers
- IAPMO certified to meet or exceed ASME A112.19.2 standards
- Meets ADA guidelines and ANSI A117.1 requirements when installed accordingly

---

## Components

- Flushometer: Code 3370085
- Water Closet: Code 2102459

---

## Warranty

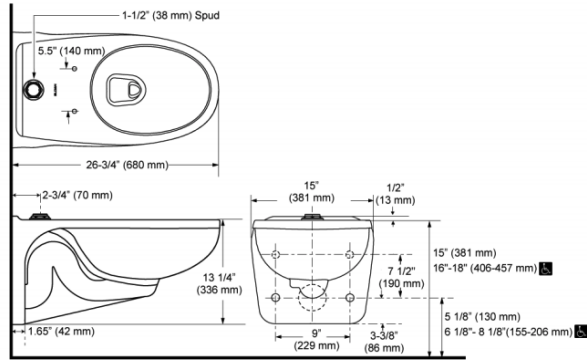
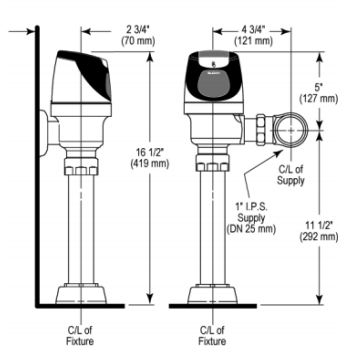
[View Warranty Information](#)

---

## Notes

All information contained within this document subject to change without notice.

Static load tested according to the procedure outlined in Section 6.7 of ASME A112.19.2. Not recommended for bariatric use.



**ALTERNATE ADA INSTALLATION**  
 Lower water supply rough-in to 10" (254 mm) and mount grab bar at the 36" (914 mm) maximum allowed height (top of grab bar at 36").

