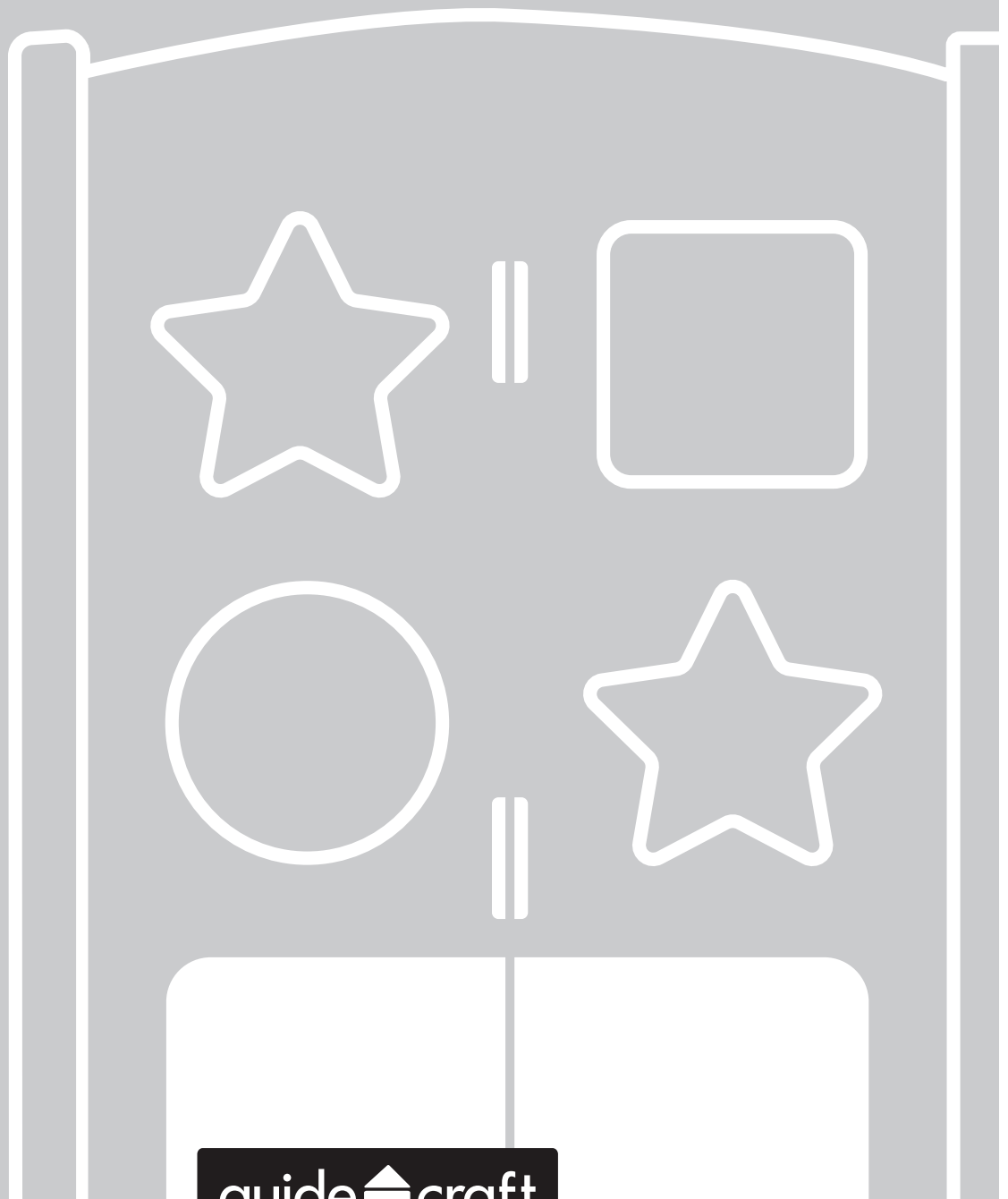


KITCHEN  HELPER™



guide  craft

Instruction Manual

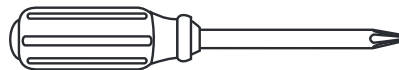
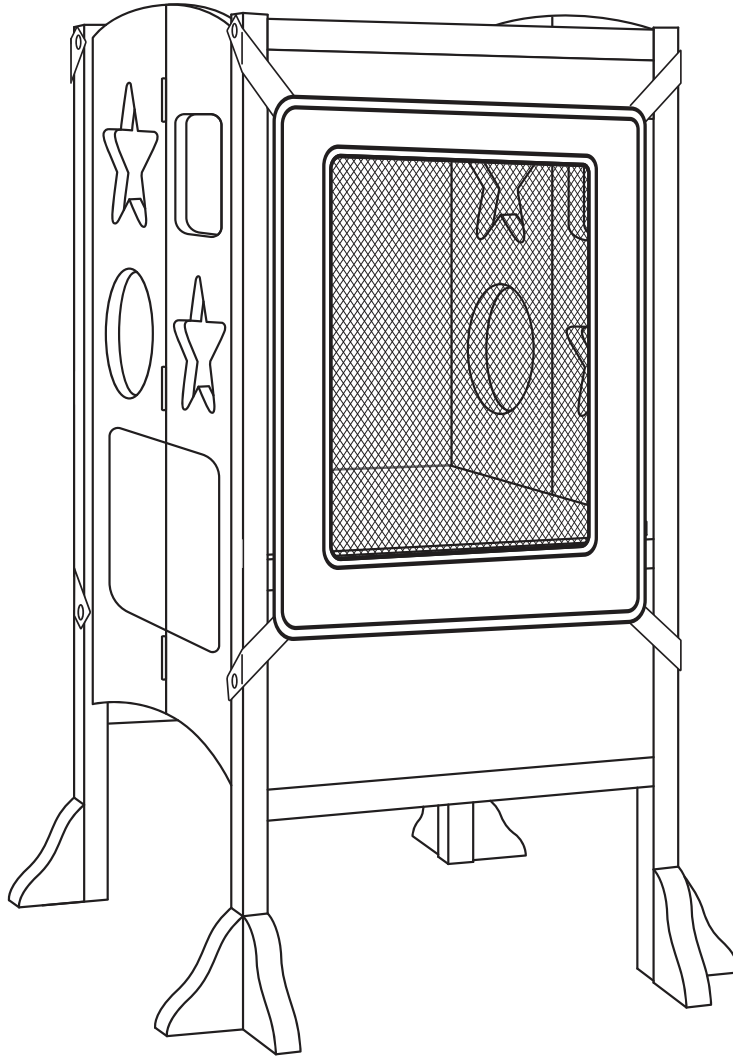
Ensure appropriate Age and Weight



The Kitchen Helper is intended for children age 18 months+;
Safely supports up to 125 lbs/56 kg

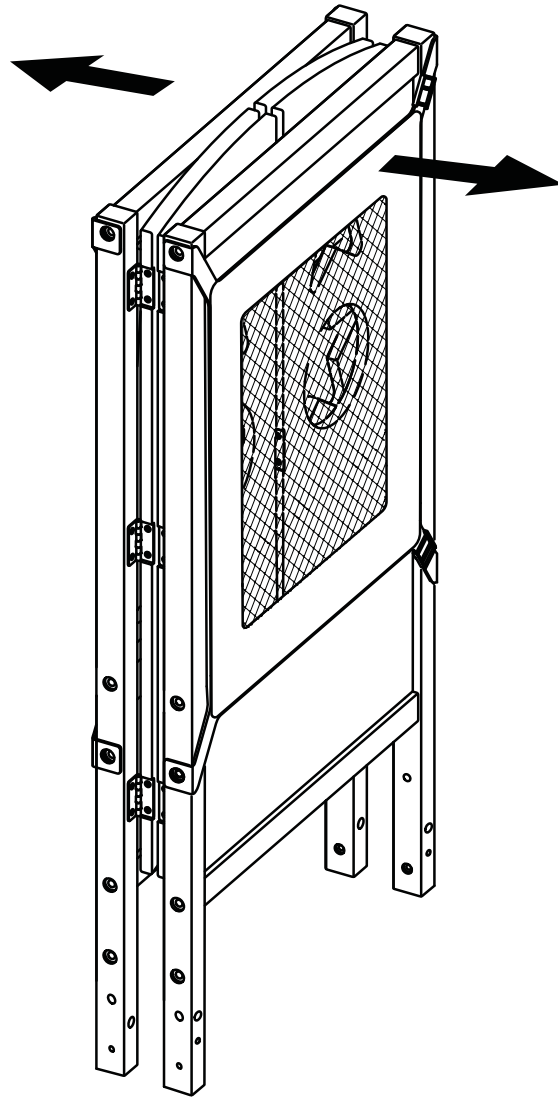
Assembly Instructions

Applicable to all styles and sizes of Kitchen Helper.



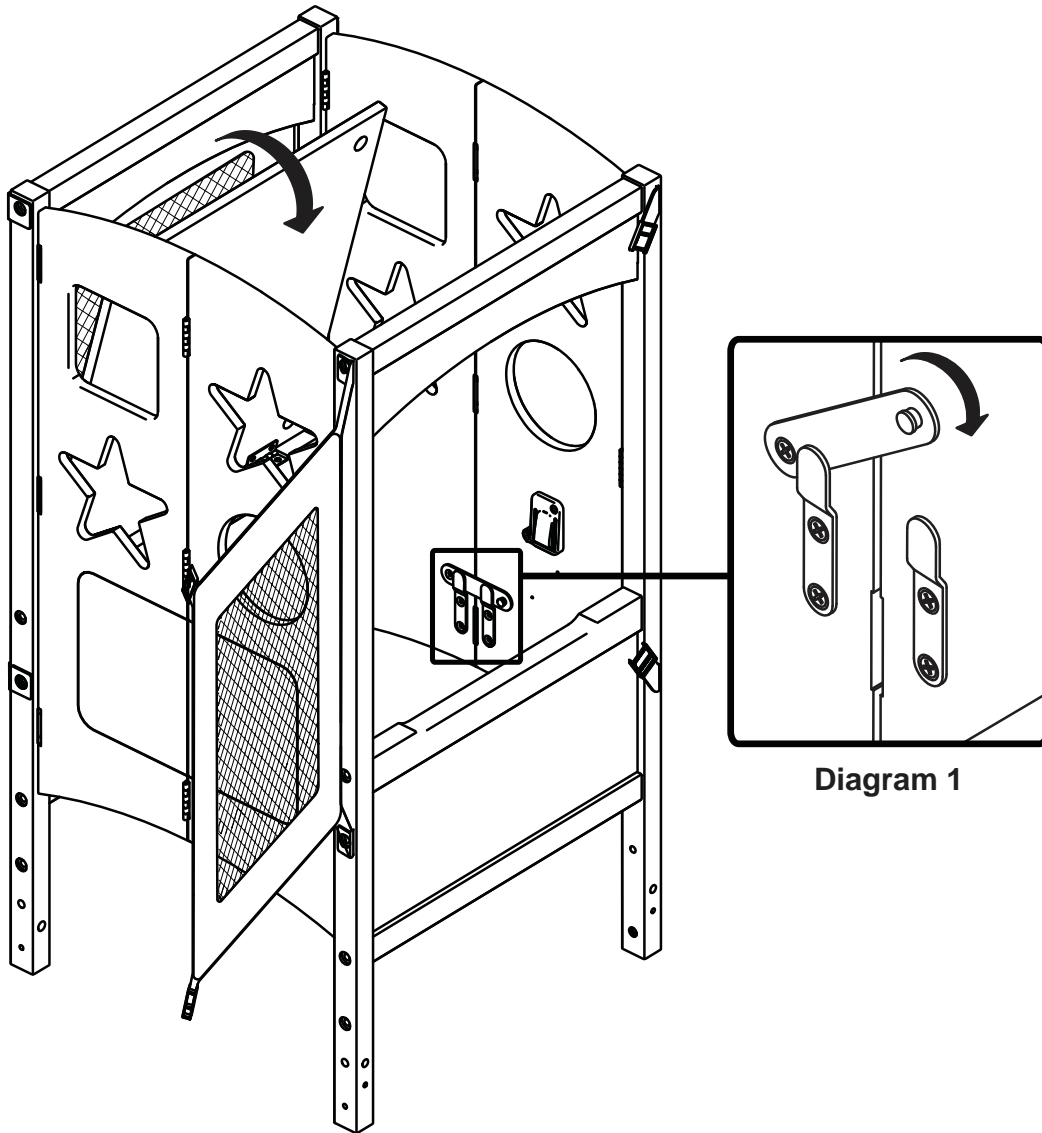
Required for assembly.

Step 1

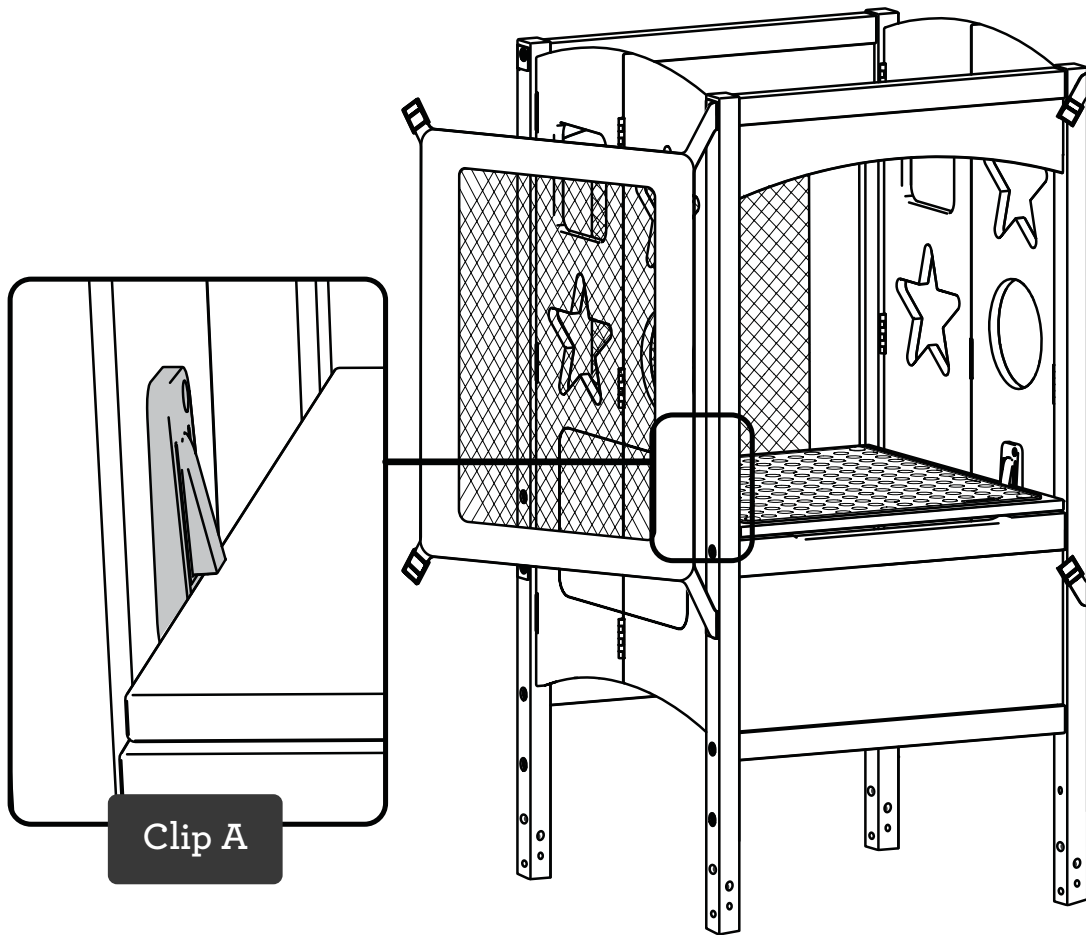


Remove item from carton and fold out sides.

Step 2

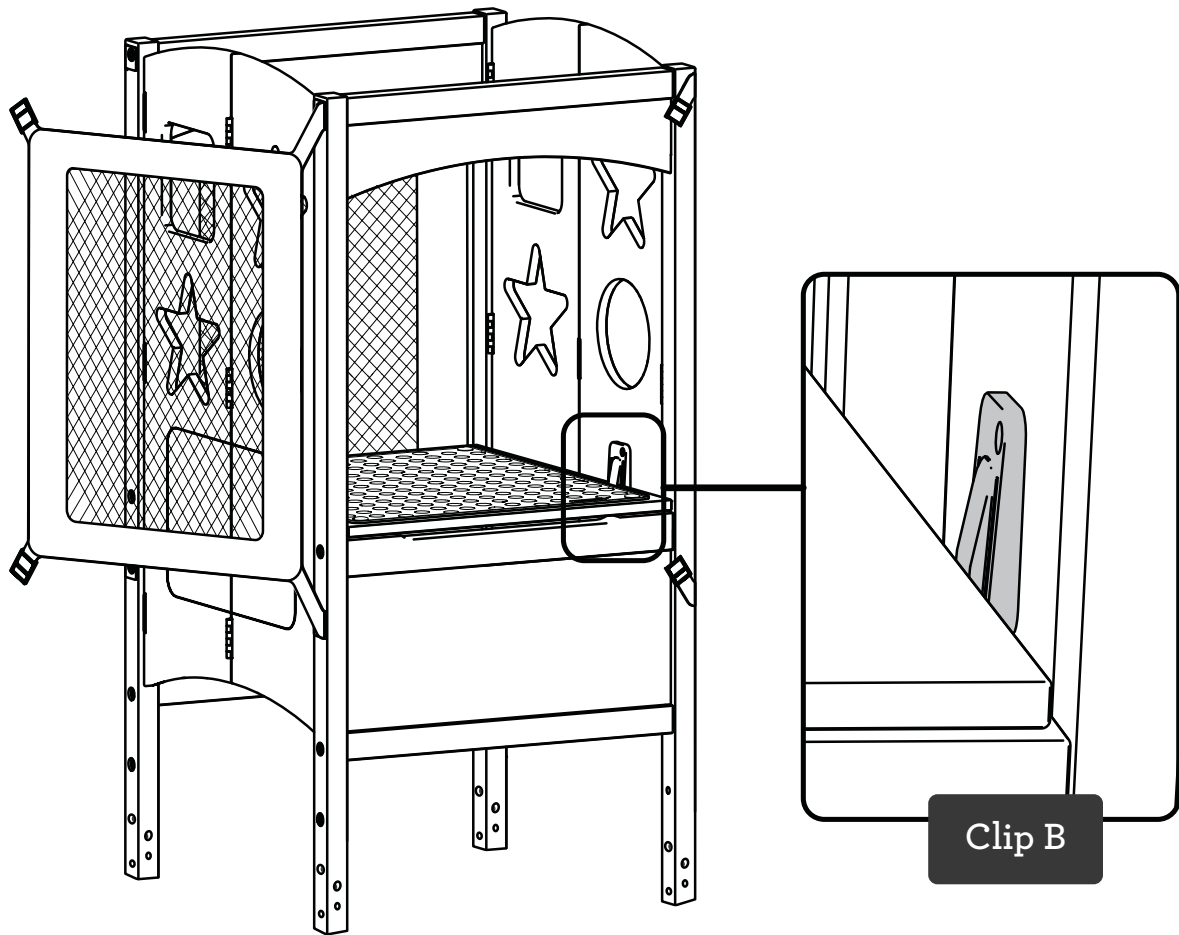


Fold platform down and rotate latches as shown in Diagram 1 to lock sides into place.



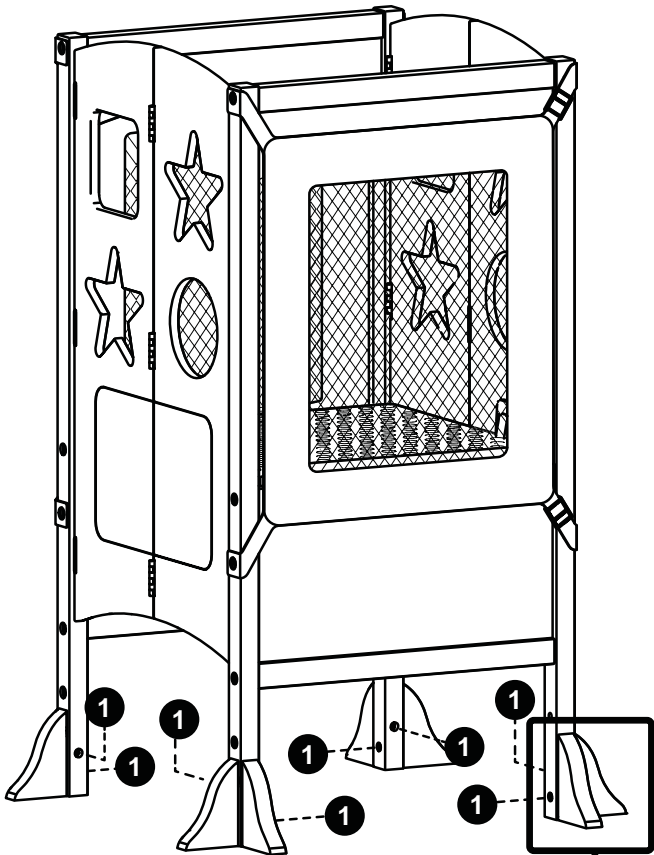
Clip A

Clip A is designed to lock down the platform when the Kitchen Helper is in use.

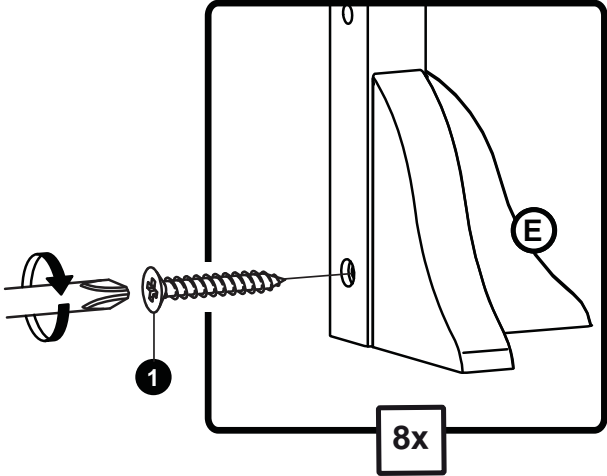
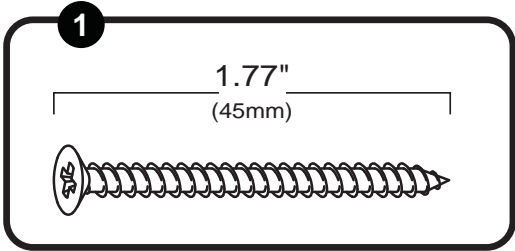


Clip B is a tension clip, and provides additional stabilization. It is not intended to clip over the platform.

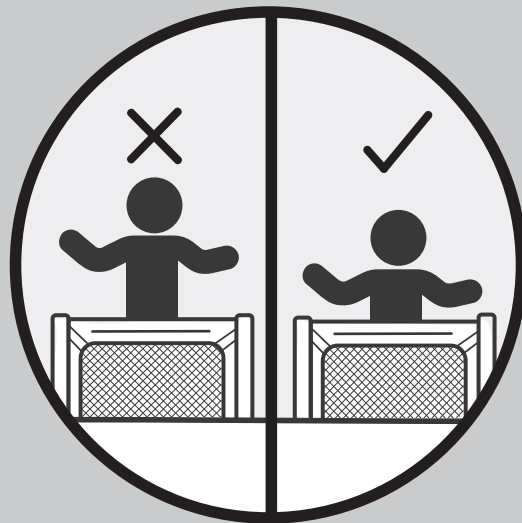
Step 3



Place platform in down position. Attach feet [E] to the Kitchen Helper using screws [1] and a Phillips-head screwdriver (not included).

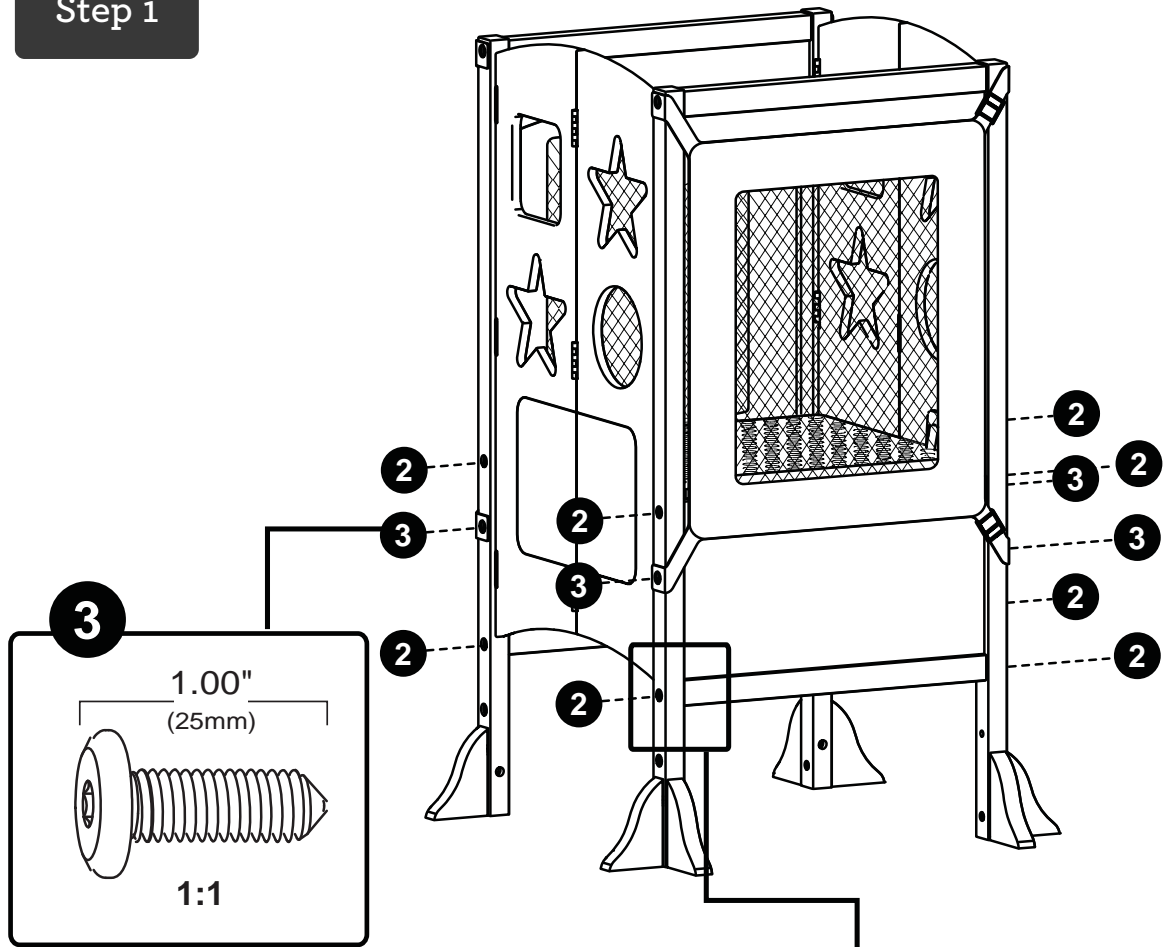


Adjusting the Platform



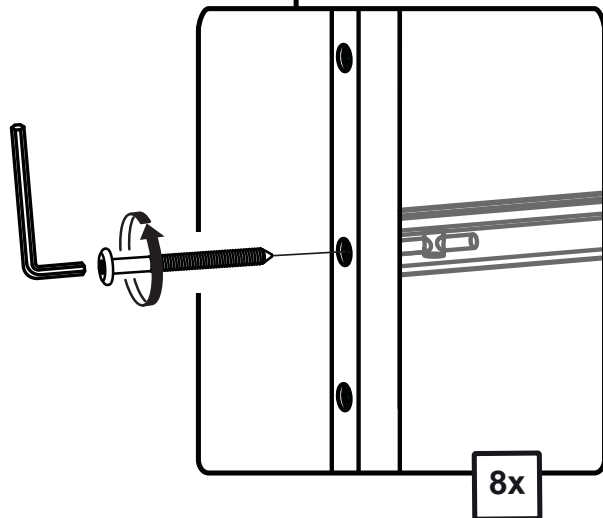
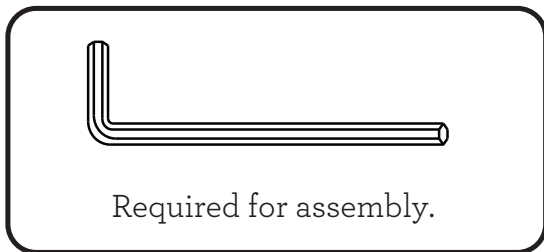
The Kitchen Helper is designed to be used at two different heights based on the age and height of a child. Once a child's waist is above the top of the Kitchen Helper, please adjust to the lower position.

Step 1

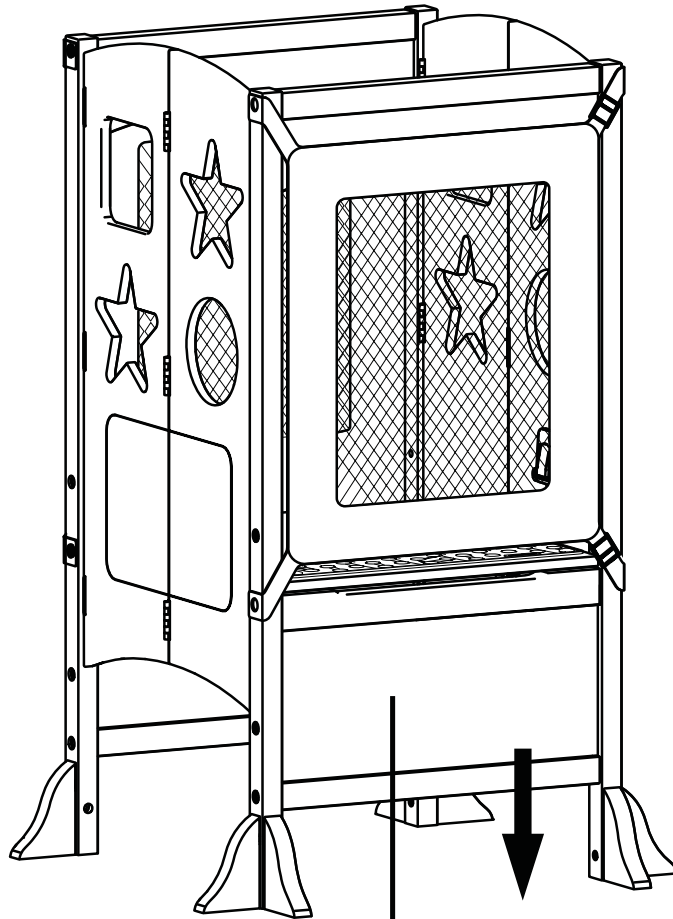


Remove bolt [2] and [3] on both sides as shown above.

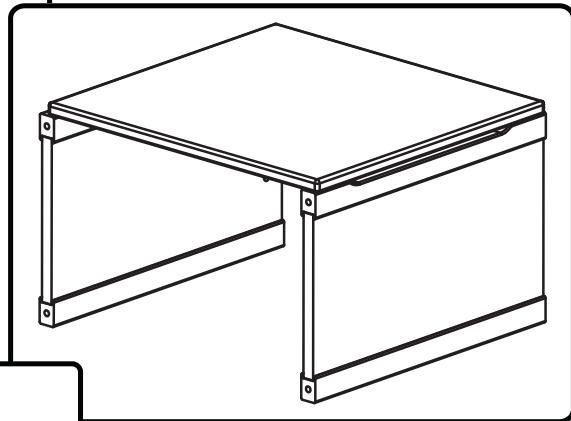
Set bolt [3] aside and save for future use in case you need to move the platform back to the higher position. Bolt [3] will not work to attach the platform or the Keeper in the lower position.



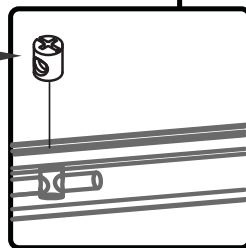
Step 2



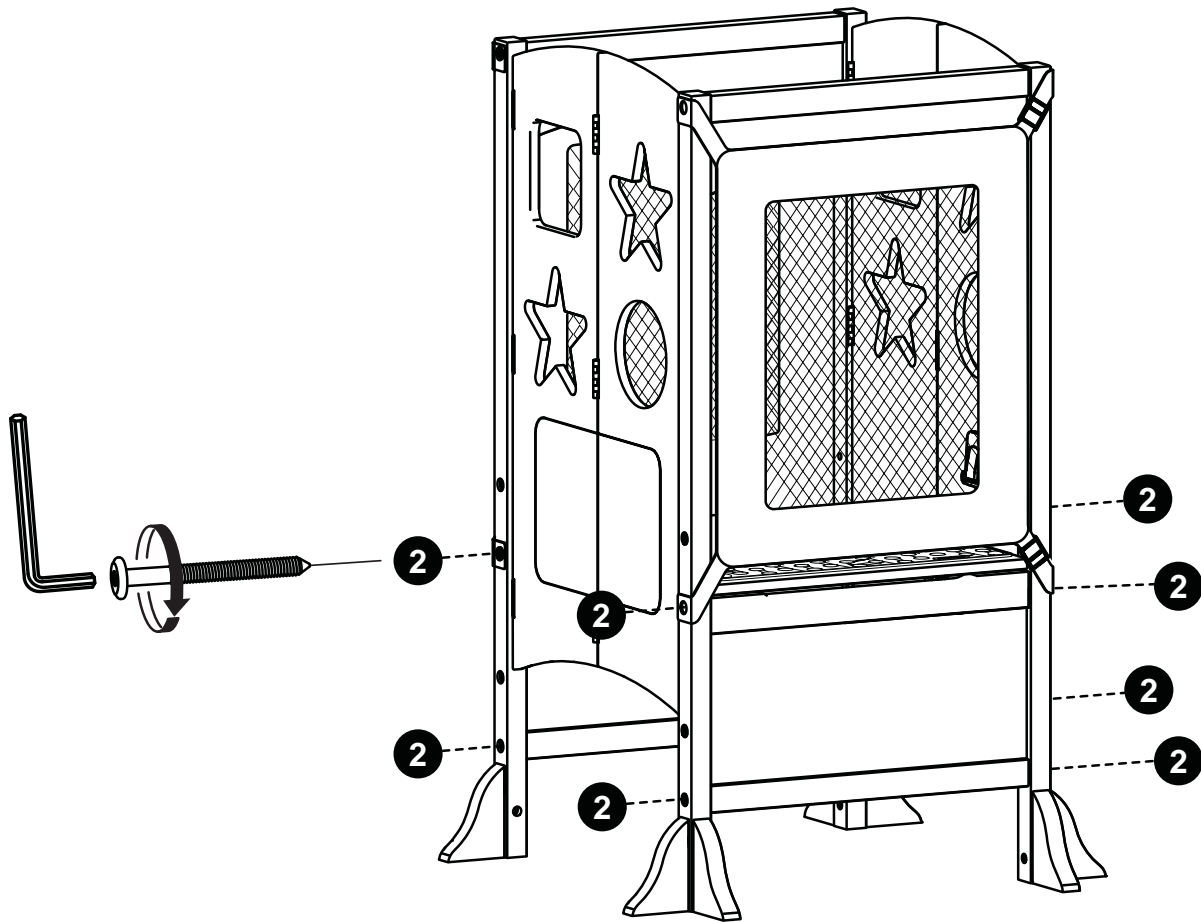
Lower platform and front and back panels and braces. Use bolts [2] to keep platform in place. If barrel nuts come out of braces, place back in holes so that barrel bolt [2] engages nuts when inserting bolts.



Barrel Nut

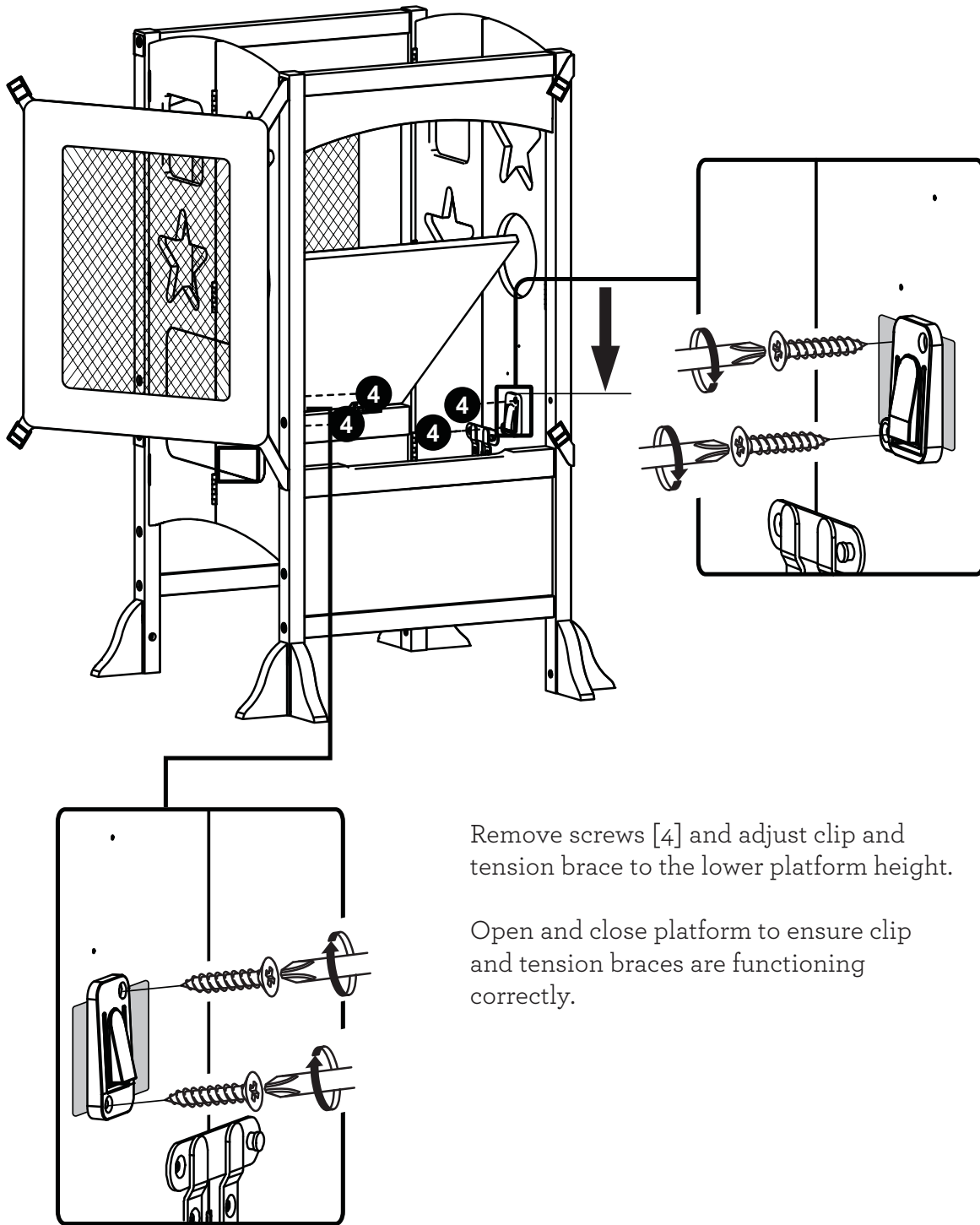


Step 3



Attach platform in lower position using bolt [2] as shown above.

Step 4



KITCHEN HELPER™

Additional Information

Customer Service

For parts, please contact your dealer. Reference your item name and number and order number.

Five Year Limited Warranty

Your product is warranted to be free from defects in material and craftsmanship for a period of five (5) years. This warranty does not apply to damage caused by abuse, misuse, improper care or altered product. This warranty is provided to the original purchaser with proof of purchase, and is non-transferable.

The manufacturer's liability under this warranty is limited to the repair or replacement of the defective product, at the manufacturer's sole option. This express, limited warranty is granted in lieu of all other warranties, including implied warranties of merchantability and fitness for a particular purpose

Cleaning Instructions/Maintenance

To clean your product, use mild soap and water on a damp cloth. Do not use window cleaners or cleaning abrasives as they will scratch the surface and could damage the protective coating.

For clear and translucent panels, use a mild solution of vinegar and water. Keep supplied hardware and tools with your product for future reference. Periodically check your product and tighten hardware if necessary.

