

Job Name:

Engineer/Architect:

Job Location:

Wholesaler:

Submittal Date:

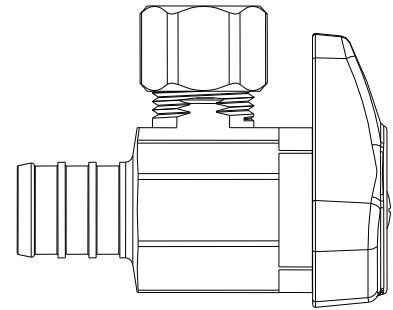
Contractor:

## G2BRPX19 1/4 Turn Angle Stop – Barbed PEX x Compression

**Use:** For use in potable water distribution systems in accessible locations only. Not intended for recirculation systems/continuous use temperatures above 115°F. For those applications, use our KT™ series ball stop.

### Design Features:

- **One-piece shut-off mechanism** provides smooth on-off operation.
- **Positive 1/4 turn** shut off.
- **Corrosion-resistant handle** is plated in an attractive chrome finish.
- **Machined, one-piece brass body** provides strength, durability and long-lasting performance.
- **Easy-to-remove handle** with screw attachment helps protect against accidental operation during rough-ins.
- **100% leak tested.**
- **PEX end** designed to ASTM F1807.
- **For use with** ASTM F876 PEX tubing, in ASTM F877 water distribution systems using ASTM F1807 and/or F2098 connection methods.
- **No-lead brass material** meets compliance for safe drinking.



### PART DIMENSIONS (Inches)

Model	DIM. A	DIM. B
G2BRPX19X	1.02	2.06
G2BRPX19L1X	.74	2.06

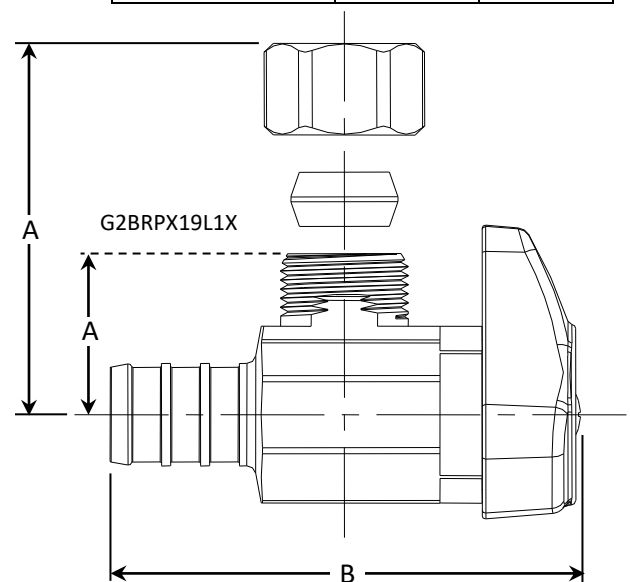
### Operating Specifications:

**Temperature:** 40°- 160°F

**Pressure:** 125 PSI maximum

### STOP MATERIAL SPECIFICATIONS

<b>Body</b>	Brass
<b>Stem Barrel</b>	Rubber
<b>Stem Shaft</b>	Glass-filled polypropylene
<b>O-ring</b>	Rubber
<b>Handle</b>	ABS, plated or zinc die cast, plated
<b>Screw</b>	Steel, zinc plated
<b>Compression Nut</b>	Brass
<b>Compression Sleeve</b>	Brass



### Part Listing:

- G2BRPX19X C 1/2" Nom Crimp Barb (for PEX) x 3/8" OD Compression, Chrome Plated
- G2BRPX19X CM5 1/2" Nom Crimp Barb (for PEX) x 3/8" OD Compression, Chrome Plated
- G2BRPX19L1X CB 1/2" Nom Crimp Barb (for PEX) x 3/8" OD Compression, Less Nut, Chrome Plated, Bulk
- G2BRPX19X R 1/2" Nom Crimp Barb (for PEX) x 3/8" OD Compression, Rough Brass

### Listings & Certifications:

- IAPMO listed to ASME A112.18.1 / CSA B125.1 (includes NSF/ANSI 372 and NSF61)

NSF/ANSI/  
CAN61:Q ≤0.5



This specification and all information contained herein is the confidential and exclusive property of BrassCraft Manufacturing Company and shall not be disclosed to others without the written consent of BrassCraft. This specification must be returned to BrassCraft if requested.

\*Products shown may differ from those available in the Canadian market.

400.60 G2BRPX19X 1/4 Turn Angle Stop – Barbed PEX x Comp REV 9.25

**BrassCraft**®

© 2025 BrassCraft Manufacturing Company