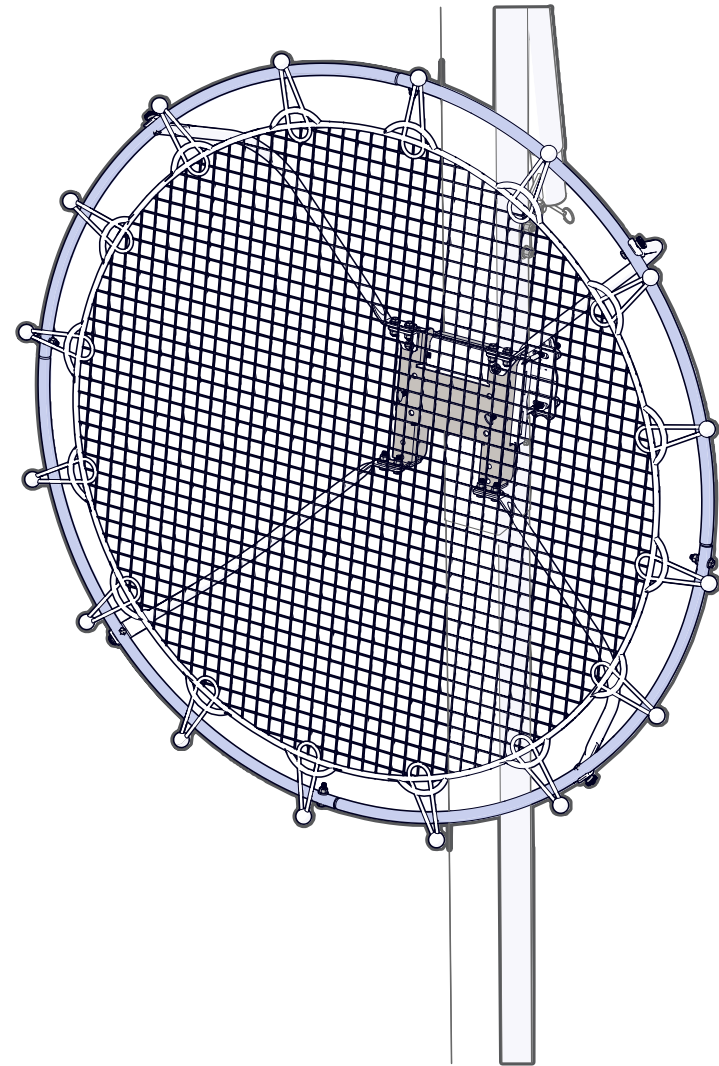


SILVERBACK

LOCKNROCKPASSBACK TRAINING SYSTEM

MODEL NO.
B8430W



Please Do Not Return This Product to the Store!

Contact Escalade® Sports customer service department at:
Phone: 1-888-USA-GOAL Toll-Free!
Fax: 1-866-873-3536 Toll-Free!
E-mail: customerservice@escaladesports.com

PRE - ASSEMBLY TIPS

1. **Read this manual carefully before starting assembly.** Read each step completely before beginning each step.
2. **Some smaller parts may be shipped inside larger parts. Check inside all parts and cartons before assembling or ordering parts.**
3. **To make assembly easier, use the Hardware & Parts Identifiers on pages 4,5 & 6 to identify and sort all fasteners & Parts. Check all cartons for kits. All hardware may not be located in one kit.**
4. **Do not tighten hardware until instructed to do so. If hardware is tightened too soon, mounting holes may not align and parts may not easily fit together.**
5. **Save these instructions and your proof of purchase (receipt) in the event that the manufacturer has to be contacted for replacement parts.**



ESCALADE[®]
SPORTS

Please visit our Website at:
www.escaladesports.com

ON-LINE TROUBLE SHOOTING TECHNICAL ASSISTANCE
ON-LINE PARTS REQUESTS FREQUENTLY ASKED QUESTIONS
ADDITIONAL ESCALADE[®]SPORTS PRODUCT INFORMATION



Please Do Not Return This Product To The Store!

Contact Escalade[®] Sports customer service department at:

Phone: 1-800-USA-GOAL Toll – Free !

Fax: 1-866-873-3536 Toll – Free !

E-mail: basketball@escaladesports.com

Escalade Sports

Physical Location:

817 Maxwell Ave.

Evansville, IN 47711

Mailing Address: (Correspondence Only)

PO Box 889

Evansville, IN 47706

SAFETY INSTRUCTIONS

FAILURE TO FOLLOW THESE SAFETY INSTRUCTIONS MAY RESULT IN SERIOUS INJURY, PROPERTY DAMAGE AND WILL VOID WARRANTY.

Owner must ensure that all players know and follow these rules for safe operation of the system.

To ensure safety, do not attempt to assemble this system without following the instructions carefully. Proper and complete assembly, use and supervision is essential for proper operation and to reduce the risk of accident or injury. A high probability of serious injury exists if this system is not installed, maintained, and operated properly.

- If using a ladder during assembly, use extreme caution.
- Ensure there are no overhead power lines within 20 ft. (7m) radius of the mounting structure location.
- Climate, corrosion or misuse can result in system failure.
- If technical assistance is required, contact Escalade Sports customer service.

*Most injuries are caused by misuse and/or not following instructions.
Use caution when using this system.*

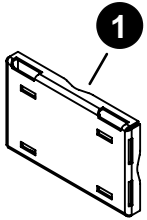


WARNING. FAILURE TO FOLLOW THESE WARNINGS MAY RESULT IN SERIOUS INJURY AND/OR PROPERTY DAMAGE. Owner must ensure that all players know and follow these rules for safe operation.

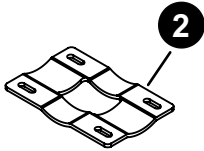
- Do not hang from any part of the product. Doing so could cause injury and/or damage to the equipment.
- Check before each use for loose hardware, excessive wear, and signs of corrosion and repair before using.
- Never play on damaged equipment.
- When installing or removing, keep hands and fingers away from pinch points.
- During play, do not wear jewelry (rings, watches, necklaces, etc.).
- Check mounting structure before each use to ensure it is secure and rigid.
- Before and during use, ensure thumb screws are tight to prevent any excessive vibrations.
- Before and during use, check the Passback assembly for any damage or excessive wear. The failure to check the integrity of the tether assembly could result in unsafe use.
- Do not use the Passback for anything other than its intended use.

4L-8891-00

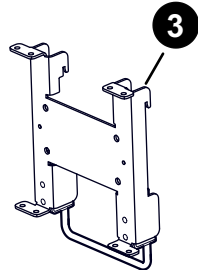
PARTS LIST (NOT ACTUAL SIZE)



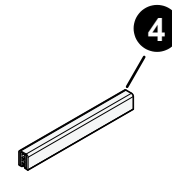
1
BASE PLATE
 2S-9446-00
 QTY. 1



2
CLAMP PLATE
 2S-9488-00
 QTY. 1

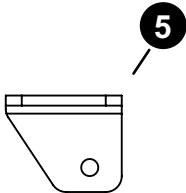


3
MOUNTING BRACKET
 1A-8003-00
 QTY. 1

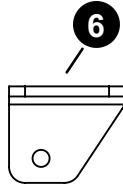


4
HEAVY DUTY EDGE GUARD
 3M-9157-00
 QTY. 2

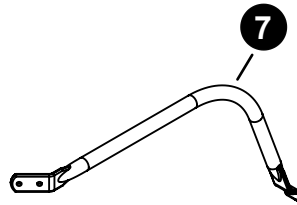
(Packaged with 1A-8003-00. Separate for assembly)



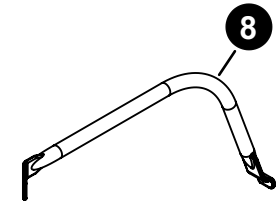
5
TAB SUPPORT LH
 2S-9500-00
 QTY. 1



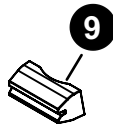
6
TAB SUPPORT RH
 2S-9499-00
 QTY. 1



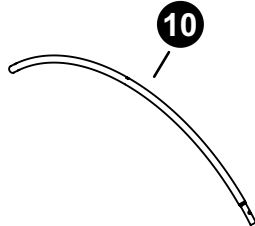
7
REBOUNDER ARM LH
 8S-8621-00
 QTY. 2



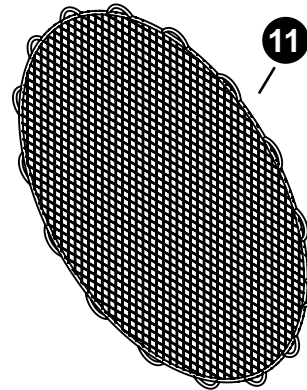
8
REBOUNDER ARM RH
 8S-8622-00
 QTY. 2



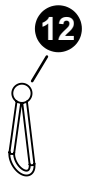
9
ANGLE SPACER
 3M-9161-00
 QTY. 1



10
NET FRAME TUBE
 8S-8620-00
 QTY. 4



11
NET
 3F-6084-00
 QTY. 1



12
NET CONNECTOR BALL CLASP
 4A-8685-00
 QTY. 16

MOUNTING HARDWARE LIST (ACTUAL SIZE)



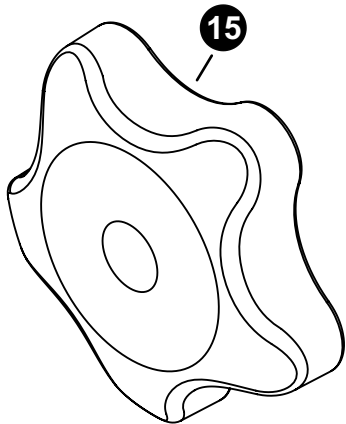
M8 X 1.25mm X **215mm** CARRIAGE BOLT
for poles 4"-6"
1B-7259-00
QTY. **4**

Note: Use **215mm** carriage bolts **#13** for poles 4"-6".

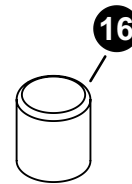


M8 X 1.25mm X **165mm** CARRIAGE BOLT
for poles up to 4"
1B-7258-00
QTY. **4**

Note: Use **165mm** carriage bolts **#14** for round or square poles up to 4".

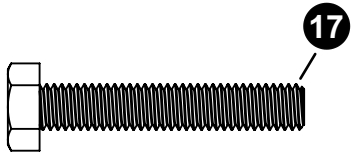


PLASTIC KNOB
M8 X 1.25mm, 5 LOBE
2Q-6475-00
QTY. **4**

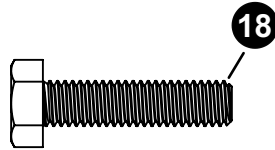


PLASTIC THREAD CAP
3M-9093-00
QTY. **4**

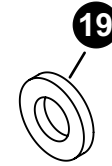
ASSEMBLY HARDWARE LIST (ACTUAL SIZE)



M6X1 X 35MM HHCS ZINC
1B-7251-00
QTY. **8**



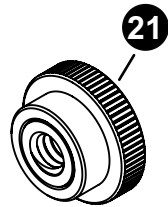
M6-1 X 25MM HHCS ZINC
1B-7257-00
QTY. **10**



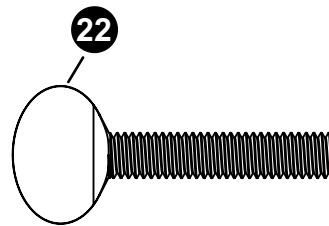
M6 FLAT WASHER
2B-6827-00
QTY. **36**



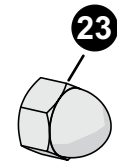
M6 LOCKNUT
2B-6142-00
QTY. **14**



METAL M6 NET FRAME KNOB
2Q-6477-00
QTY. **4**



M6 X 1mm X 30mm THUMB SCREW
1B-7242-00
QTY. **2**



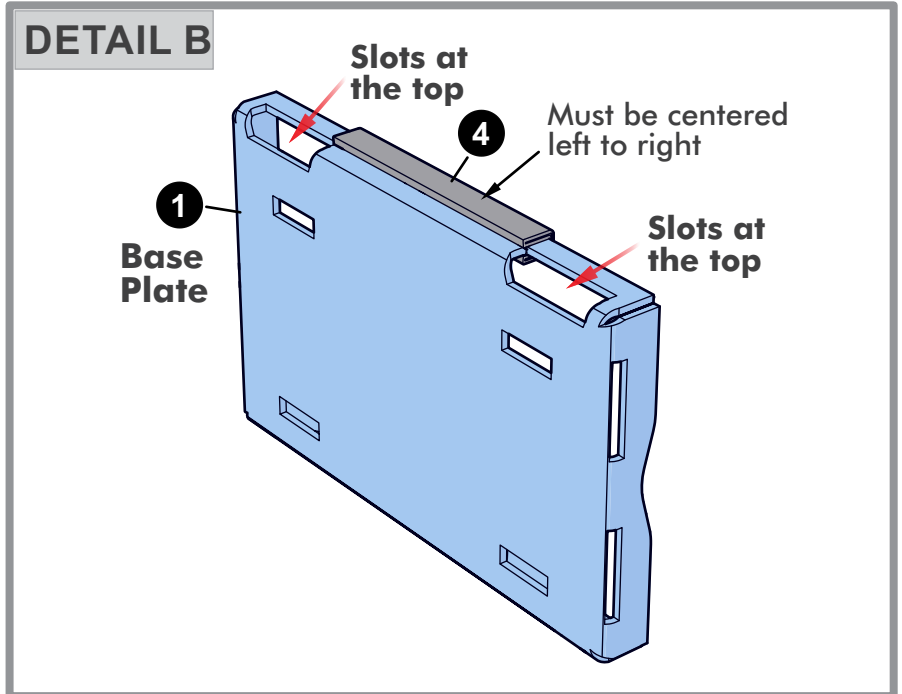
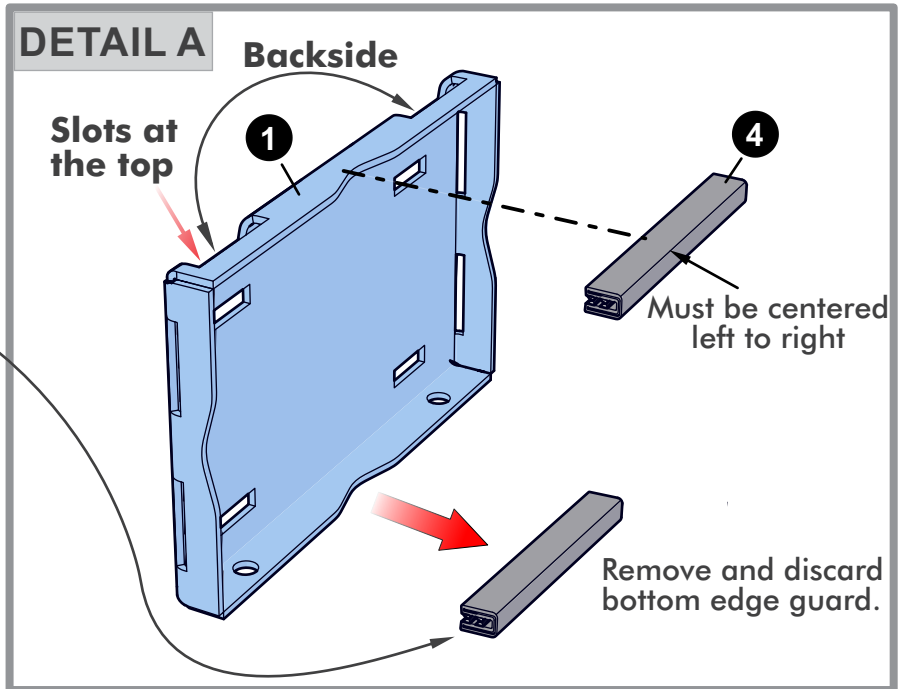
Plastic Threaded Cap
2B-6854-00
QTY. **2**

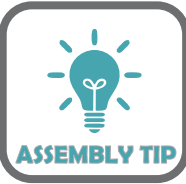
Before starting the assembly, ensure only the top Heavy Duty Edge Guard (#4) is installed on the Base Plate (#1). See **Detail A & Detail B**.

If the bottom Edge Guard is pre-installed, it should be removed and discarded before proceeding with the assembly.

NOTE:

Make sure the Top Edge Guard (#4) is centered on Base Plate (#1). See **Detail B**.





You can attach the passback to round poles and square poles up to 4" with the 165mm Carriage bolts as shown below. To install on a basketball pole that is 4"-6" use the 215mm Carriage Bolts.

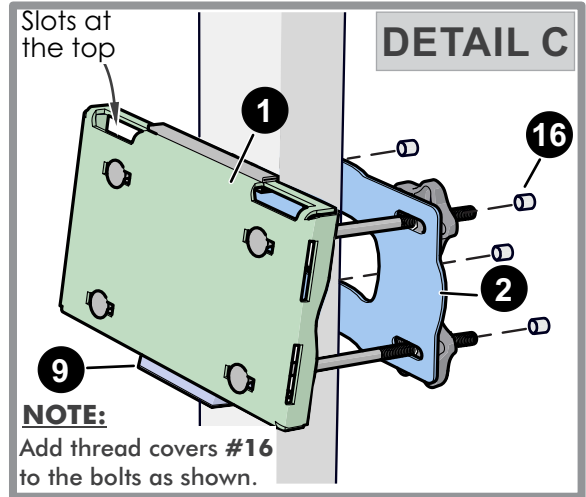
CAUTION:
 ONLY ADULTS SHOULD ASSEMBLE THIS PRODUCT.
 DO NOT ALLOW CHILDREN IN THE ASSEMBLY
 AREA UNTIL ASSEMBLY IS COMPLETE.

NOTE:
 Adult assembly required.

STEP 1

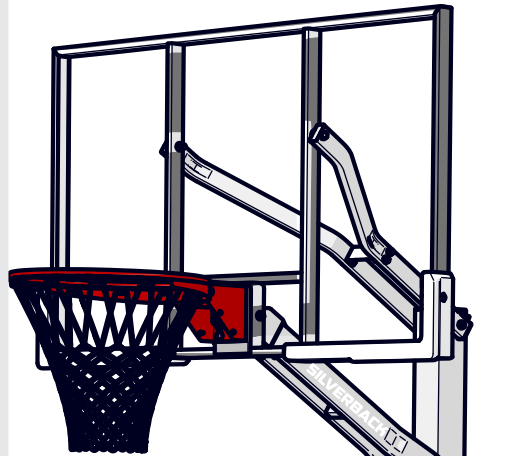
Mount Base plate (#1) and Clamp Plate (#2) as shown in **Detail A, Detail B, & Detail C.** Make sure to install the Angle Spacer (#9) in between the Base Plate and pole, so that the Base plate angles up. To install on a round pole follow **Detail A, Detail B, & Detail C.**

NOTE:
 If needed, temporarily remove the Actuator handle on the existing basketball system before attaching Base Plate.

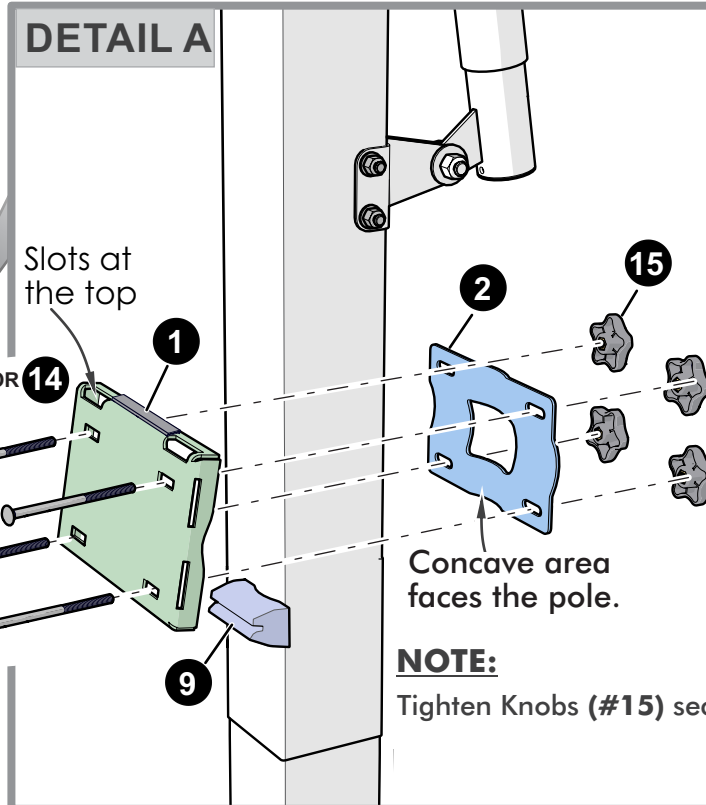


NOTE:
 Add thread covers #16 to the bolts as shown.

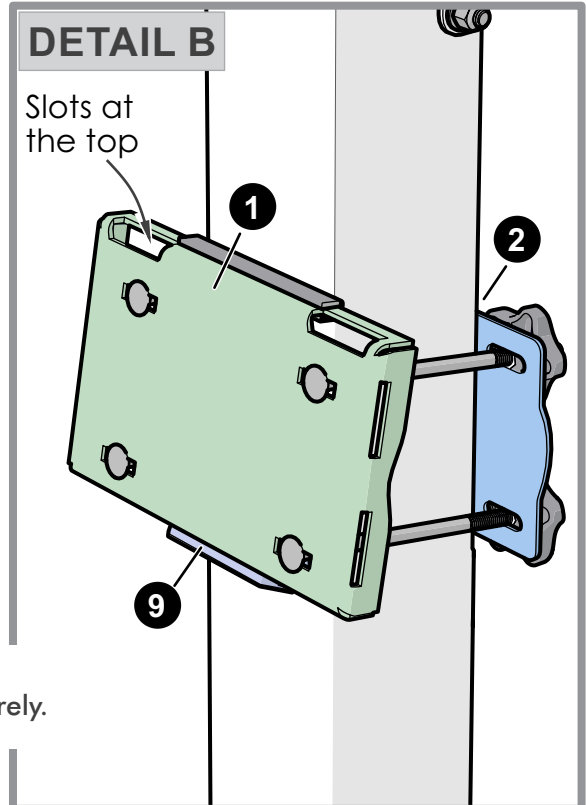
NOTE:
 Make sure to orient the slots at the top of the base plate.



*Basketball system shown for illustration purposes only.



NOTE:
 Tighten Knobs (#15) securely.



CAUTION:
 A SOLID MOUNTING SURFACE, CAPABLE OF WITHSTANDING NORMAL RECREATIONAL USE FORCES, MUST BE PROVIDED BY THE CUSTOMER.

STEP 2

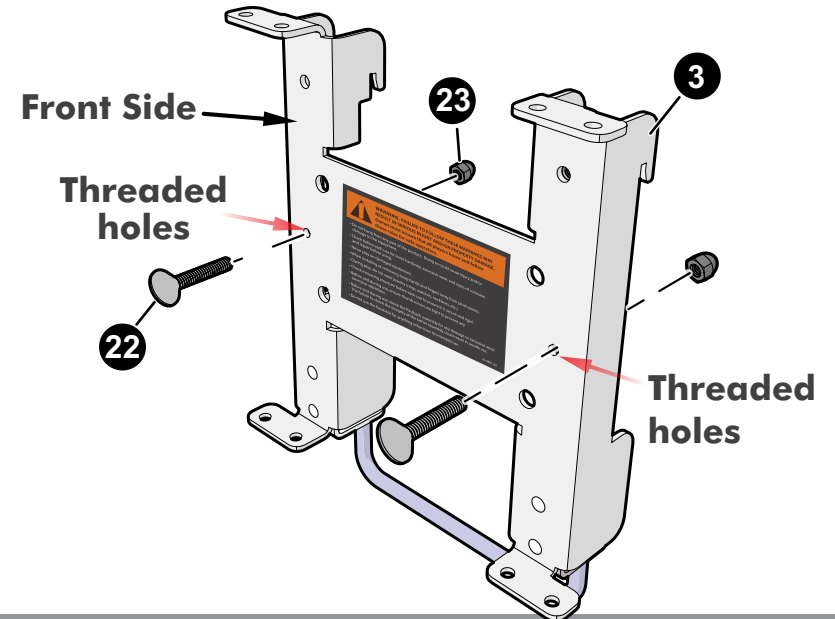
Install Thumb Screws (#22) onto the Mounting Bracket (#3) as shown in **Detail A**. Then screw on the Threaded caps (#23) on the Thumb Screws as shown in **Detail A & B**.

Once the threaded caps (#23) have been installed, loosen the Thumb Screws (#22) until the threaded caps are almost touching the Mounting Bracket (#3) as shown in **Detail B**.

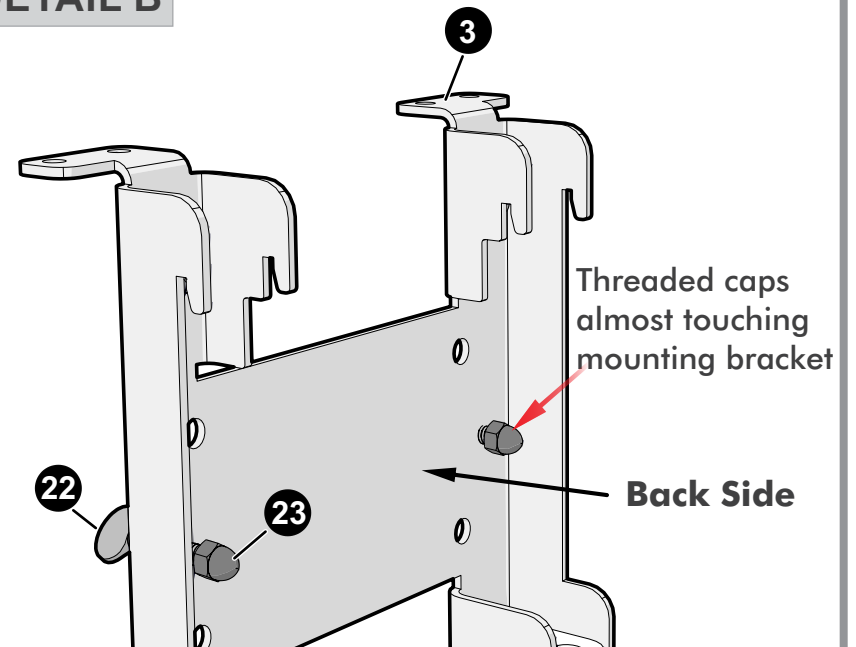
NOTE:

DO NOT use any tools to tighten the Threaded Caps (#23) onto the Thumb Screws (#22). Hand-tighten only.

DETAIL A

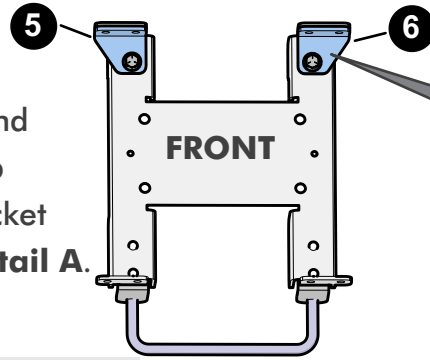


DETAIL B

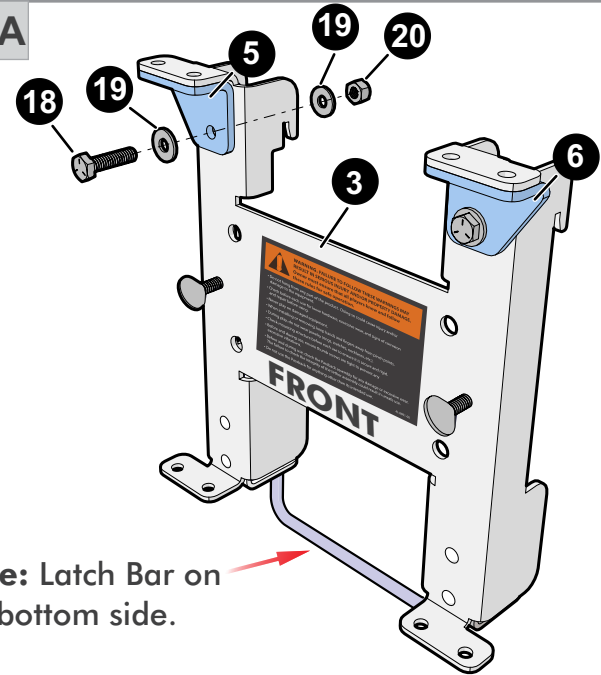


STEP 3

Attach a Left Tab Support (#5) and Right Tab Support (#6) to the top upper sides of the Mounting Bracket using the hardware shown in **Detail A**. Tighten tight when complete.



DETAIL A



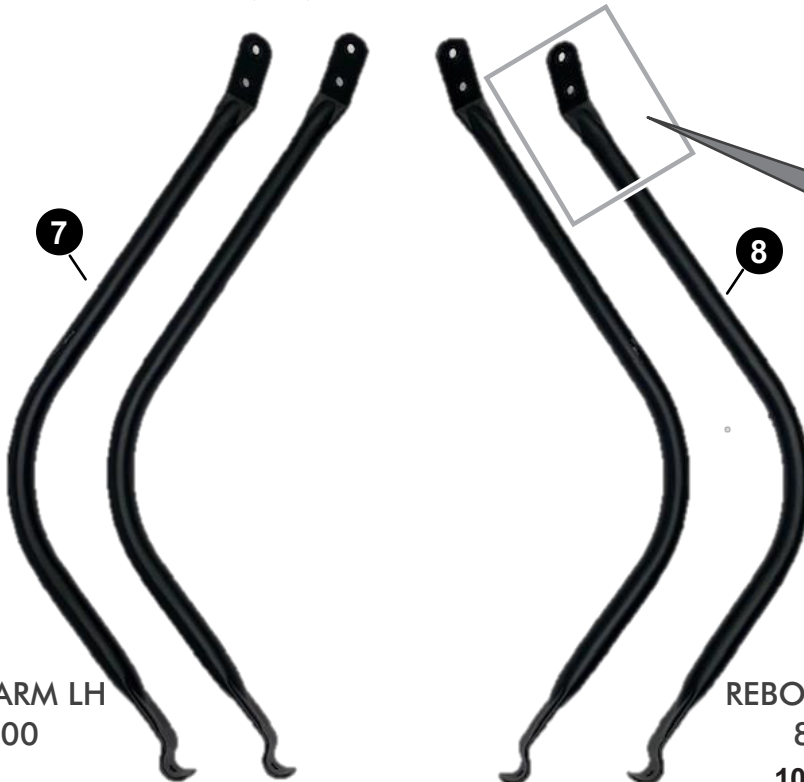
Note: Latch Bar on the bottom side.

NOTE:

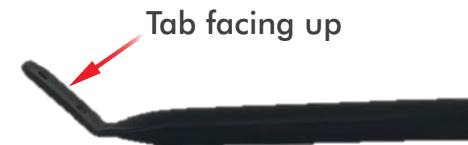
Before moving to step 4, identify the rebounder arms as shown in the text below.

To identify the left and right rebounder arms, begin by laying the four arms on a flat surface in the orientation shown below.

The flat, bent tabs should all be facing upwards as shown in **Detail B**. The two rebounder arms on the left (#7) are the left arms. The two rebounder arms on the right (#8) are the right arms.



DETAIL B



REBOUNDER ARM LH
8S-8621-00

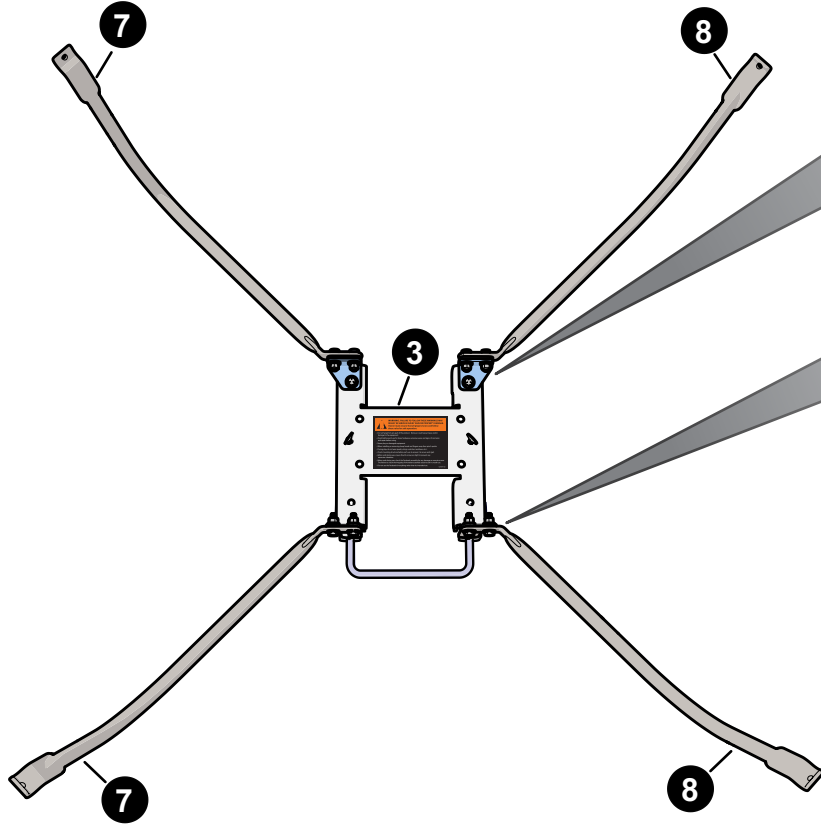
REBOUNDER ARM RH
8S-8622-00

STEP 4

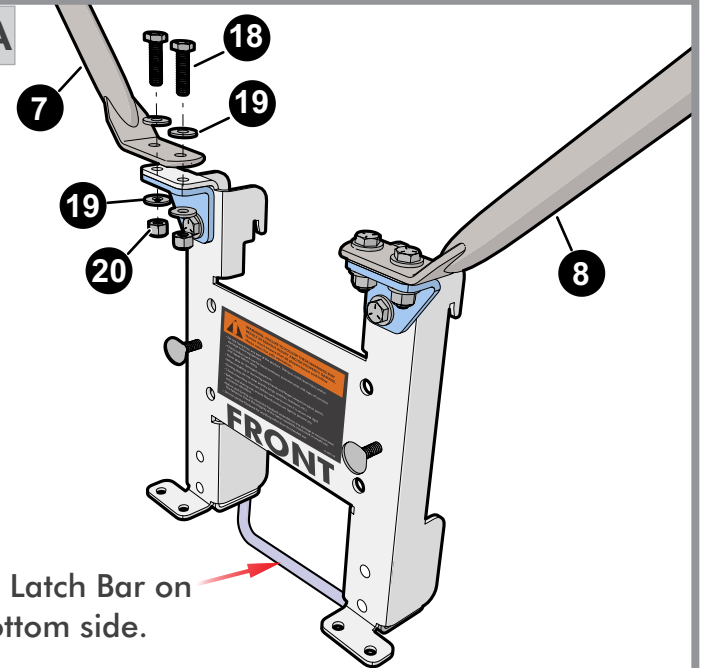
Attach a Left Arm (#7) and Right Arm (#8) to the top tabs of the Mounting Bracket (#3) using the hardware shown in **Detail A**. Tighten tight when complete.

STEP 5

Attach a Left Arm (#7) and Right Arm (#8) to the bottom tabs of the Mounting Bracket (#3) using the hardware as shown in **Detail B**. Tighten tight when complete.

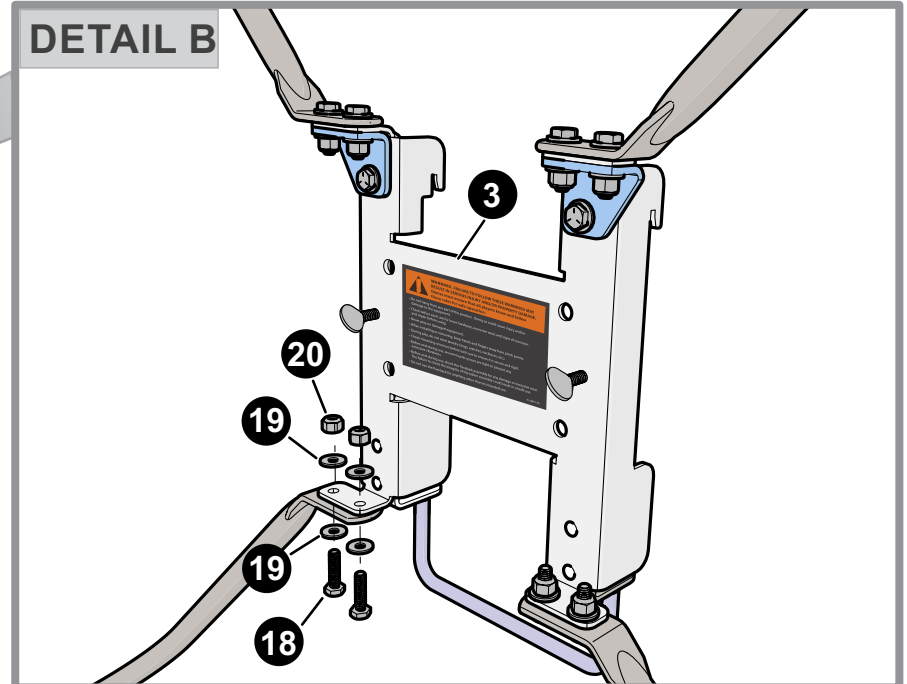


DETAIL A



Note: Latch Bar on the bottom side.

DETAIL B

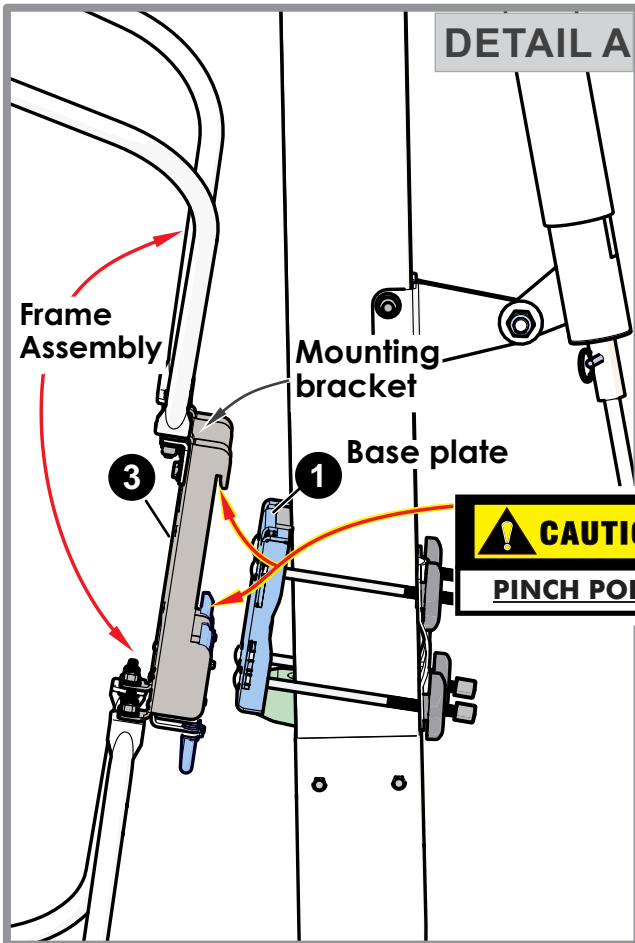


STEP 6

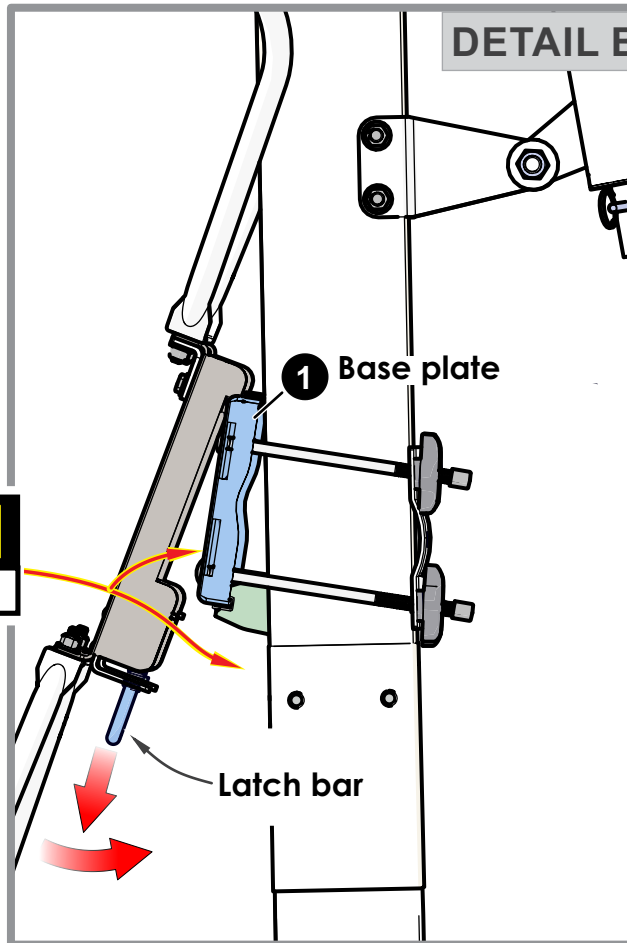
Mount the frame assembly from the previous step to Base Plate as shown in **Detail A,B,&C**.

CAUTION:
PINCH POINTS! DO NOT place your hand between the **base plate & locking bracket** and between the **latch bar & base plate**.

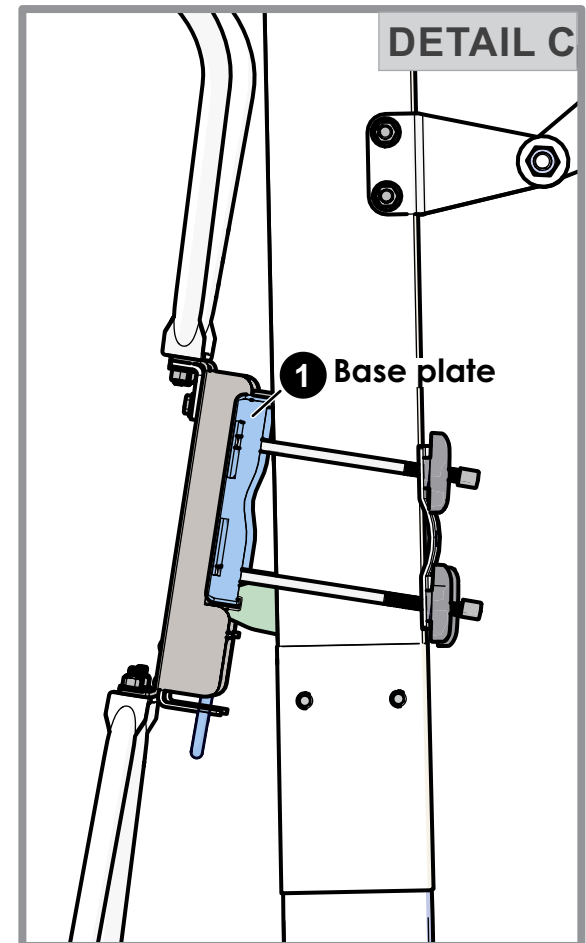
A. Mount frame assembly to the top slots of the Base Plate (#1).



B. Pull down and hold the latch bar, then pivot the unit until it is flush to the Base Plate (#1).



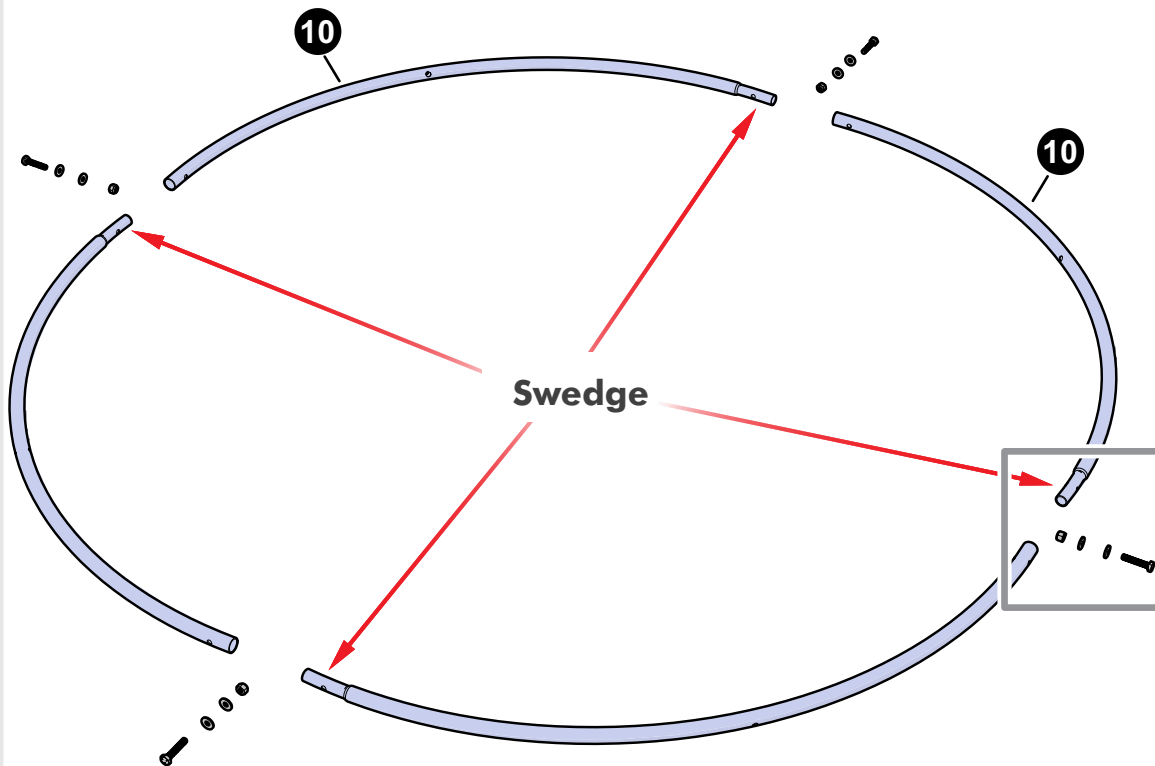
C. Release the Latch bar slowly until the latch bar ends are inserted & locked into the Base Plate (#1).



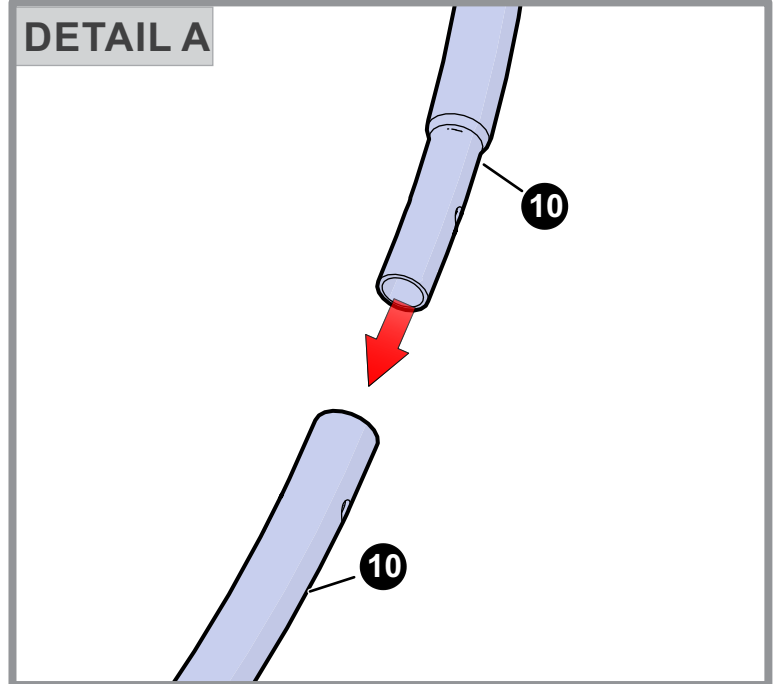
STEP 7

Insert the four Net frame Tubes (#10) to form the round net frame as shown in **Detail A** & **Detail B**.

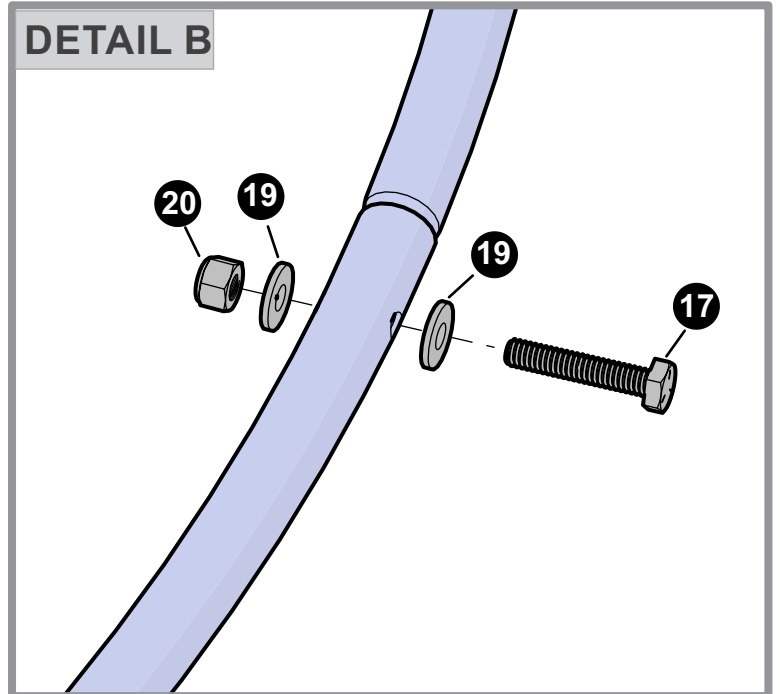
Assemble using hardware as shown in **Detail B**. Tighten tight when complete, but **do not** crush the tubes.



DETAIL A



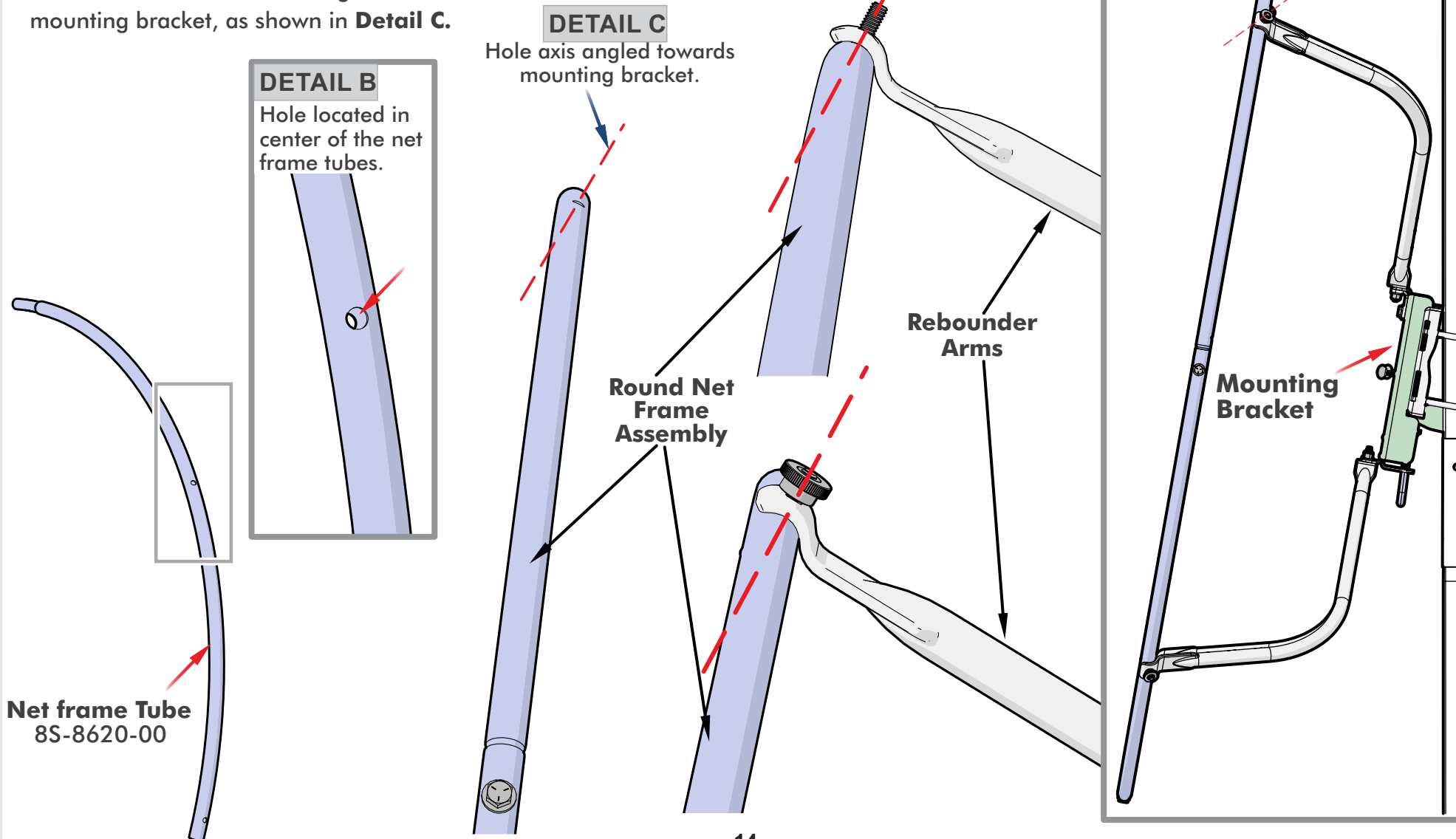
DETAIL B



NOTE:

Before moving to **step 8** read the text below. This will help you to correctly mount the round net frame assembly to the rebounder arms in **step 8 (page 15)** of the assembly.

When mounting the round net frame assembly to the rebounder arms, locate the four hole(s) shown in **Detail B** on the Net Frame Tubes (#10). The axes of these four holes should be angled towards the mounting bracket, as shown in **Detail C**.

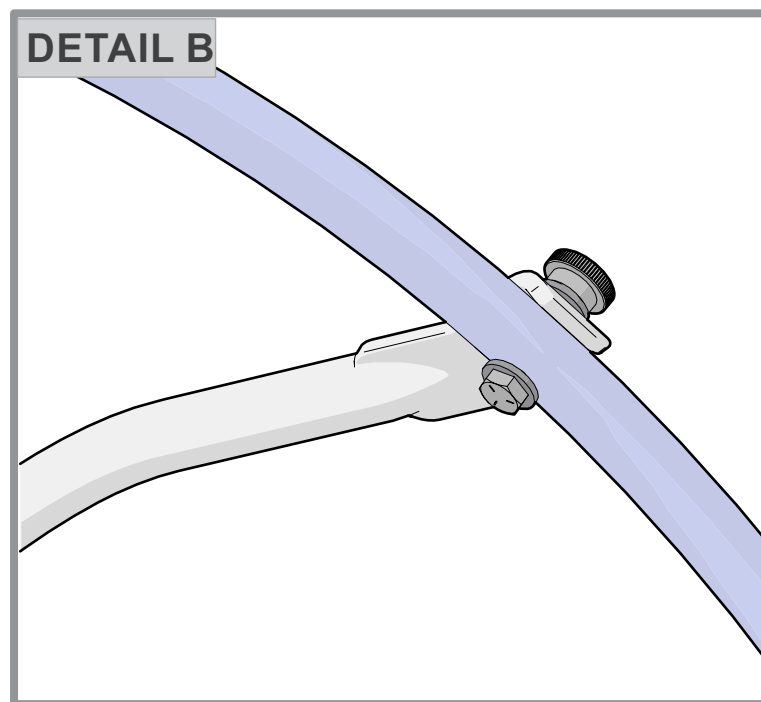
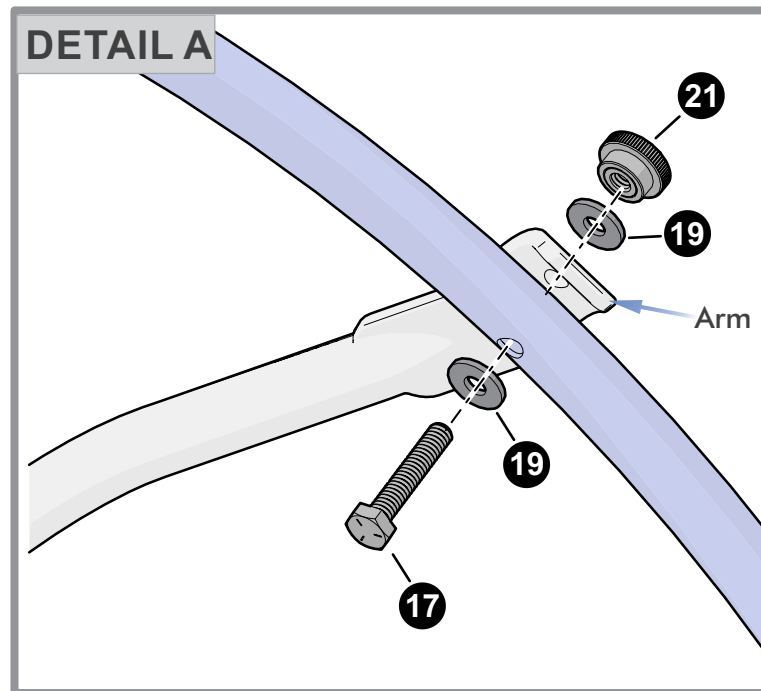
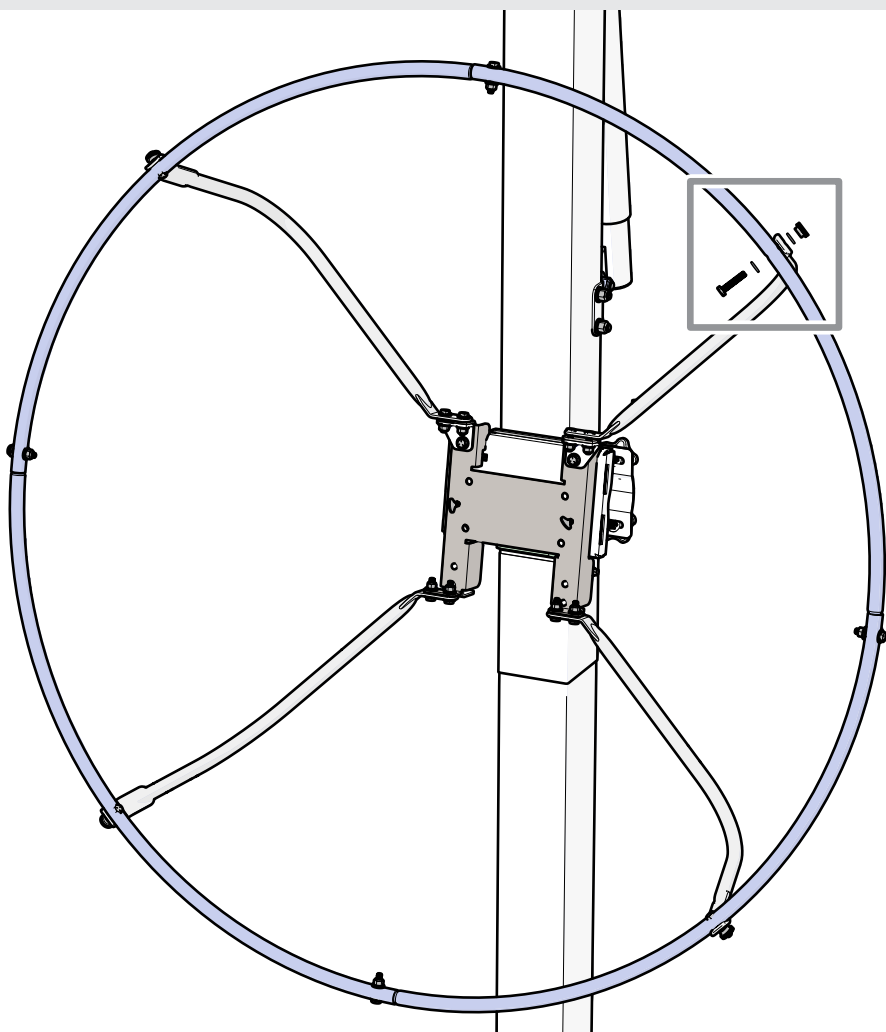


STEP 8

Mount the round net frame assembly to the inside of the arms as shown in **Detail A & Detail B**. Lightly tighten the knobs (#21) enough to hold each section of the frame assembly to the arms. Once all sections are attached, tighten fully.

NOTE:

Make sure you place a Flat Washer (#19) in between each Bolt (#17) and knob (#21) as shown in **Detail A & Detail B**.

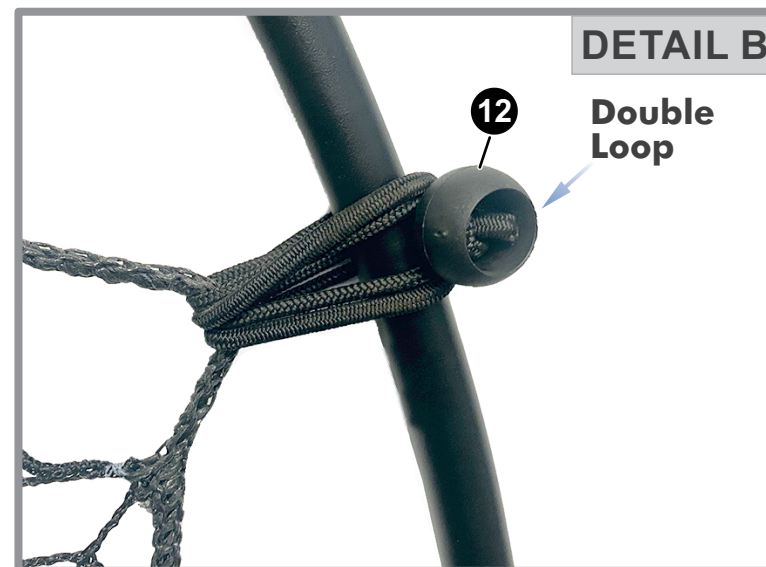
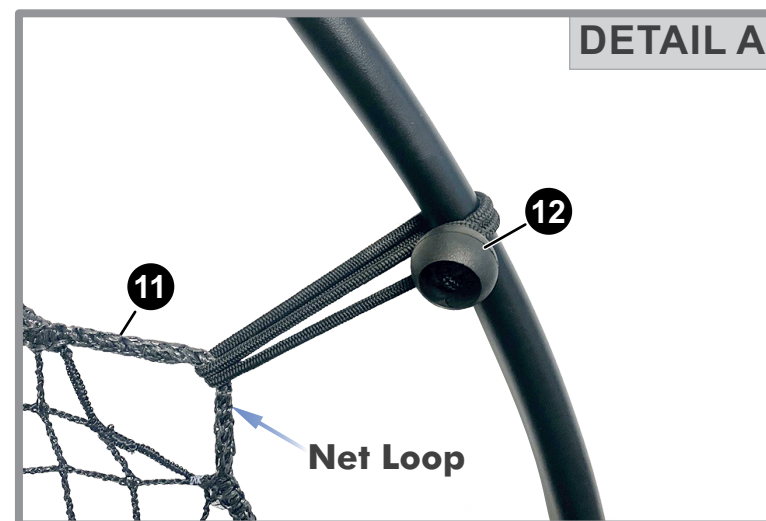
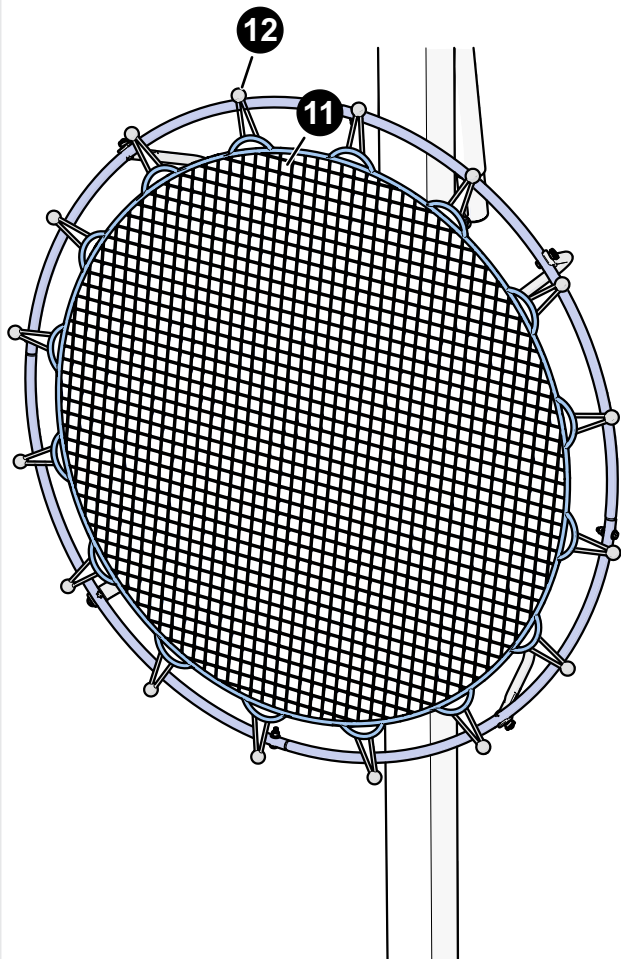


STEP 9

Attach the Net (#11) to the round net frame assembly with a Ball Clasp Connector (#12) per net loop as shown in **Detail A**.

STEP 10

To increase the tautness of the net, the Ball Clasp Connectors can be double looped. See **Detail B**.



STEP 11

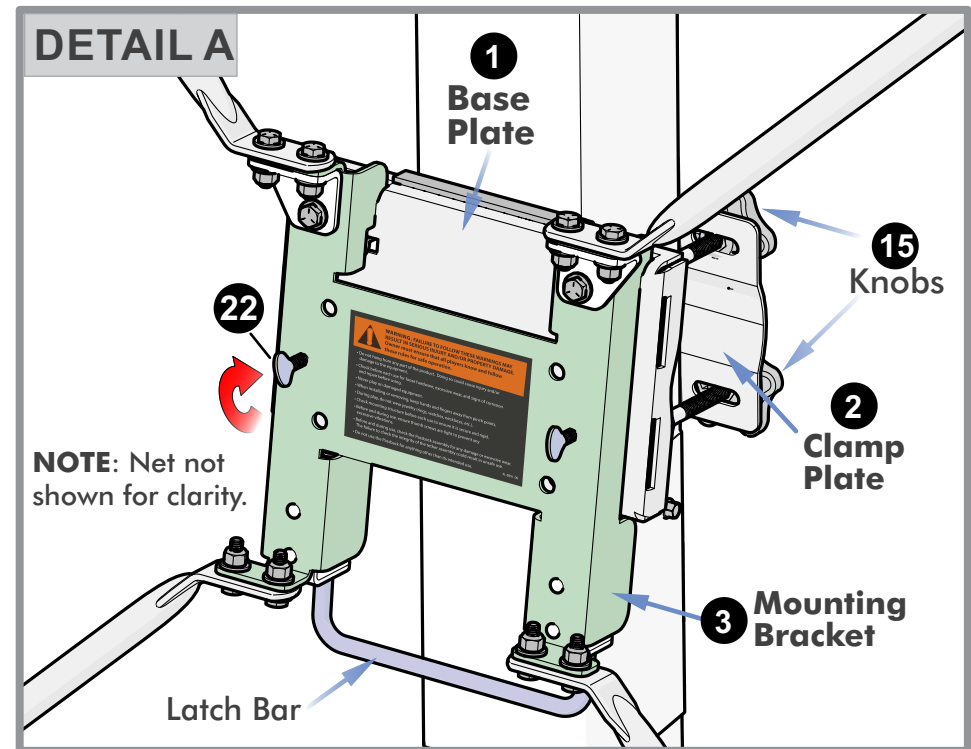
Tighten Thumb Screws (#22) before and during play to eliminate any vibration/rattle. See **Detail A**.

NOTE:

Before each use, hand-tighten Knobs (#15) and Thumb screws (#22). See **Detail A**.

NOTE:

When adjusting the height of the Passback, remove the Round Net Frame/Mounting Bracket assembly from the Baseplate (#1) by loosening the Thumb Screws (#22) and pulling down and unlocking the Latch Bar. Next, slightly loosen the four Knobs (#15), located in back of the system, and carefully slide the Base Plate (#1) and Clamp Plate (#2) to the desired height location and tighten Knobs (#15). Then, reinstall the Round Net Frame/Mounting Bracket assembly by pulling down on the Latch bar and locking it into place, and tightening the Thumb Screws (#22) as shown in steps 6 and 11.



LIMITED 1 YEAR WARRANTY

This consumer warranty extends to the original consumer purchase of any Escalade® Sports Product (hereinafter referred to as the "Product").

WARRANTY COVERAGE: Escalade® Sports warrants to the original Consumer Purchaser that any Product of its manufacture is free from defects in material and workmanship. THIS WARRANTY IS VOID IF THE PRODUCT HAS BEEN DAMAGED BY ACCIDENT, UNREASONABLE USE, NEGLIGENCE, IMPROPER SERVICE, FAILURE TO FOLLOW INSTRUCTIONS PROVIDED WITH THE PRODUCT OR OTHER CAUSES NOT ARISING OUT OF DEFECTS IN MATERIAL OR WORKMANSHIP.

Subject to proper installation and normal Residential use, Escalade® Sports warrants, subject to the limitations below, to the original retail purchaser all structural components of the Silverback® System to be free of defects in material and workmanship for a period of one (1) year from the original purchase.

Merchandise must be shipped prepaid with a copy of proof of purchase to Escalade® Sports factory for examination to determine if the system needs to be repaired or replaced. Any labor costs, travel expenses and any other changes involved in the removal, installation or replacement of the defective/repared parts from/to your Silverback® System will be the purchaser's responsibility. Shipping charges for replaced or warranted merchandise sent back to the customer from Escalade® Sports factory must be prepaid by the customer in advance. If not, the replacement shipment will be sent out collect.

Escalade® Sports reserves the right to examine photographs or physical evidence of merchandise claimed to be defective, and to recover said merchandise, prior to authorization of warranty claims. A "Returned Goods Authorization" number may be required, please call for details prior to the return of any photographs or merchandise.

This limited 1 year warranty is expressly in lieu of all warranties, expressed or implied, including warranties of merchantability or fitness for use. Escalade® Sports does not assume or authorize any person or representative to assume for us, any other liability in connection with the sale of our products.

The remedy of repair or replacement stated above is Escalade® Sports exclusive remedy. Escalade® Sports will not be liable for any other damages or expenses which may incur, including but not limited to incidental or consequential damages. Escalade® Sports assumes no other obligations or liability on the part of the purchaser, and Escalade® Sports neither assumes nor authorizes any other person to assume for it any other liability in connection with the goods sold.

This warranty shall not apply in any manner to parts or accessories not manufactured by Escalade® Sports.

NOT COVERED BY THIS WARRANTY

- Merchandise not intended to be in places of public assembly, such as, but not limited to, schools, parks, public or private recreational facilities.
- Any merchandise subjected to Non-residential abuse, negligence, improper installation, vandalism, acts of God, alteration of product, or any other events beyond the control of Escalade® Sports.
- HANGING ON THIS PRODUCT WILL VOID THE WARRANTY: Product is not warranted for any defects other than workmanship.
- Shipping charges both ways. Note: Any merchandise shipped to Escalade® Sports collect will be refused.
- Dealer service charges, labor charges and travel expenses associated with replacement of repair of warranty item.

WARRANTY DISCLAIMERS: ANY IMPLIED WARRANTIES ARISING OUT OF THIS SALE, INCLUDING BUT NOT LIMITED TO THE IMPLIED WARRANTIES OF MERCHANTABILITY AND FITNESS FOR A PARTICULAR PURPOSE, ARE LIMITED IN DURATION. ESCALADE® SPORTS SHALL NOT BE LIABLE FOR LOSS OF USE OF THE PRODUCT OR OTHER CONSEQUENTIAL OR INCIDENTAL COSTS. EXPENSES OR DAMAGES INCURRED BY THE CONSUMER OF ANY OTHER USE.

Some states do not allow the exclusion or limitation of implied warranties or consequential or incidental damages, so the above limitations or exclusions may not apply to you.

LEGAL REMEDIES: This warranty gives you specific legal rights, and you may also have other rights which may vary from state to state.

WARRANTY GUIDELINES IS REQUIRED FOR ALL WARRANTY CLAIMS

1. Proof of Purchase (original retail purchaser) is required for all warranty claims.
2. Call or write Escalade® Sports to receive a Return Authorization # and determine specific needs.
Phone: 1-888-USA-GOAL / Warranty Dept.
Or Write Escalade® Sports at: Escalade® Sports - P.O. Box 889, Evansville, IN 47706 - Attn: Warranty Dept.
Or E-mail us at: basketball@escaladesports.com