
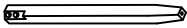



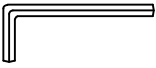
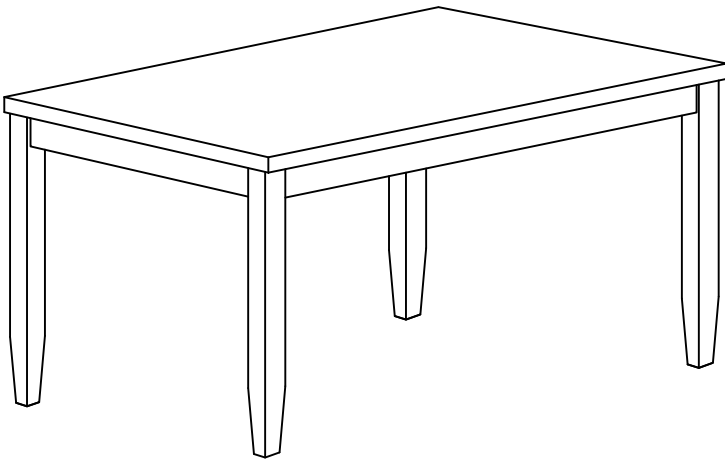


# ASSEMBLY INSTRUCTION

## 522-64 64" RECTANGULAR DINING TABLE WITH FAUX MARBLE TOP

<b>A</b> Table Top  1 PC	<b>B</b> Table Leg  4 PCS	<b>C</b> Allen Bolt Ø5/16" x 65mm  8 PCS	<b>D</b> Spring Washer Ø5/16  8 PCS
<b>E</b> Flat Washer Ø5/16" x 19mm  8 PCS	<b>F</b> Allen Key M5  1 PC		



This page lists all the contents included in the box. Please take the time to identify the hardware as well as the individual components to this product. As you unpack and prepare for assembly, place the contents on a carpeted or padded area to protect them from damage.

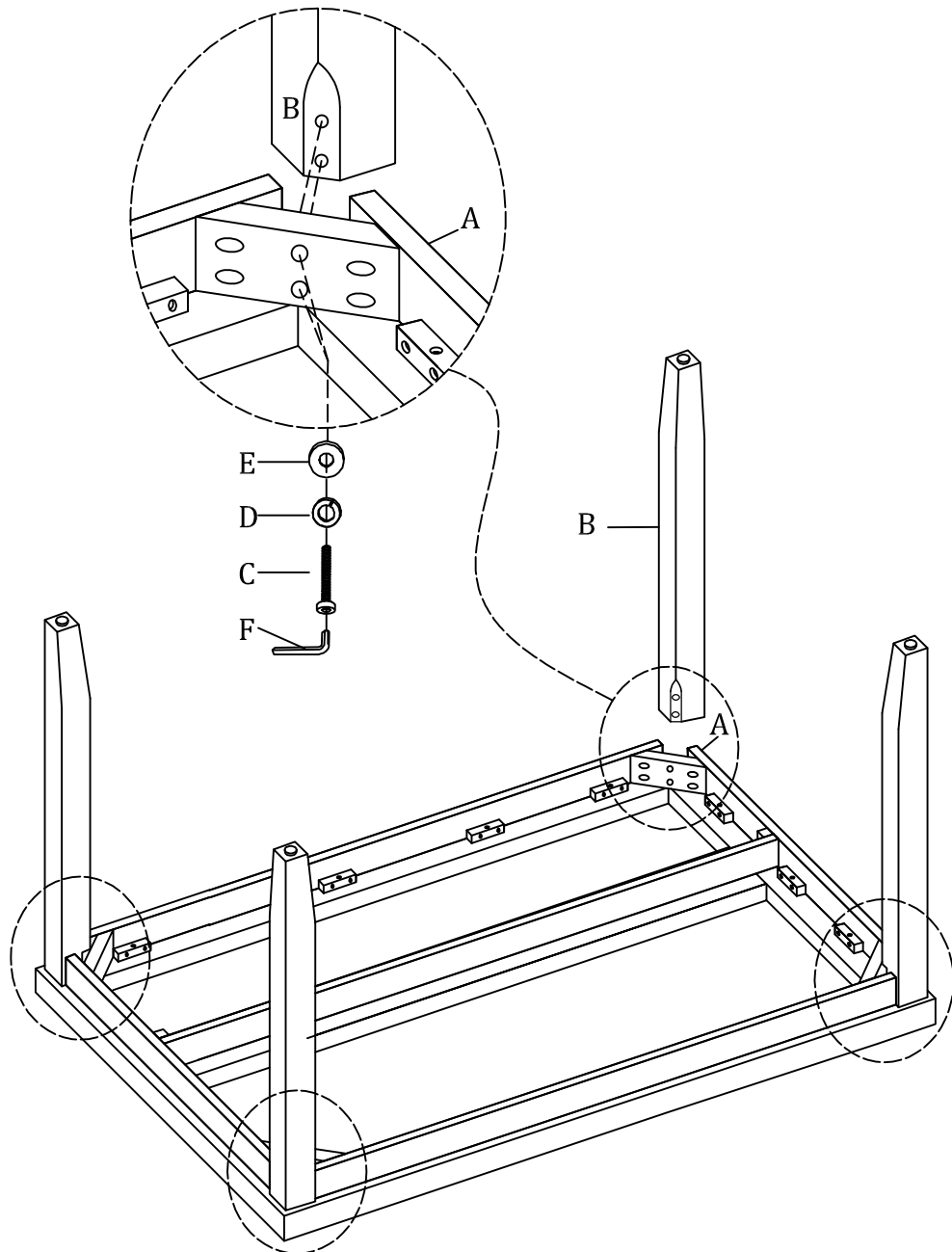
### IMPORTANT NOTE:

1. Do not tighten all screws / bolts until all completely assembled.
2. Keep all hardware parts out of reach of children.

\*\*\*Do not tighten screws & bolts until the entire unit is completely assembled.

---

- 1 Attach the Table Leg (B) to the Table Top (A) using Allen Bolt (C), Spring Washer (D) and Flat Washer (E) with Allen Key (F).



---

### Cleaning & Care

Treat surfaces with care. Surfaces are resistant to scratches but are not scratch resistant. Clean surfaces with a dry or damp soft cloth. Do not use abrasive cleaners. Hardware may loosen over time. Periodically check that all connections are tight.