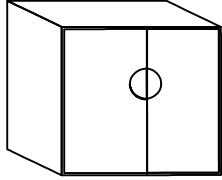


# ASSEMBLY INSTRUCTION

## E731-04 2-DOOR ACCENT CABINET

---

**A** Top Unit



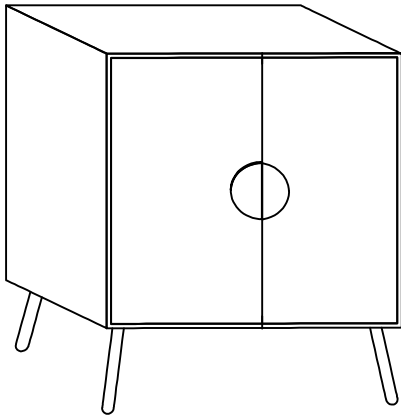
1pc

**B** Leg



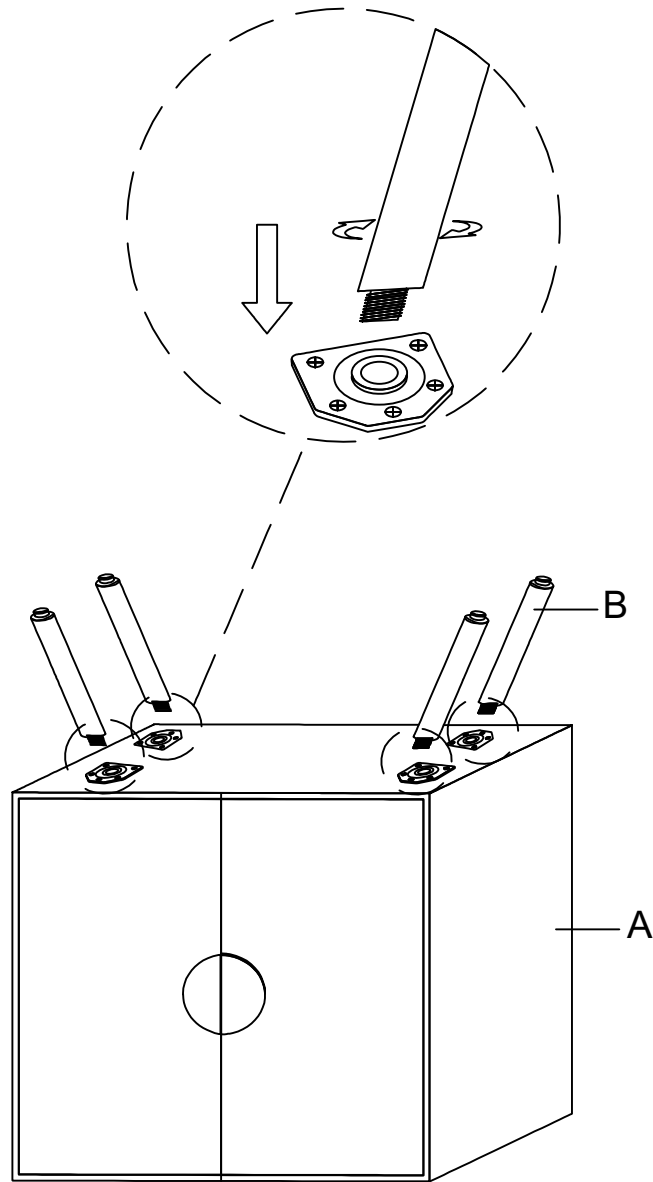
4pcs

---

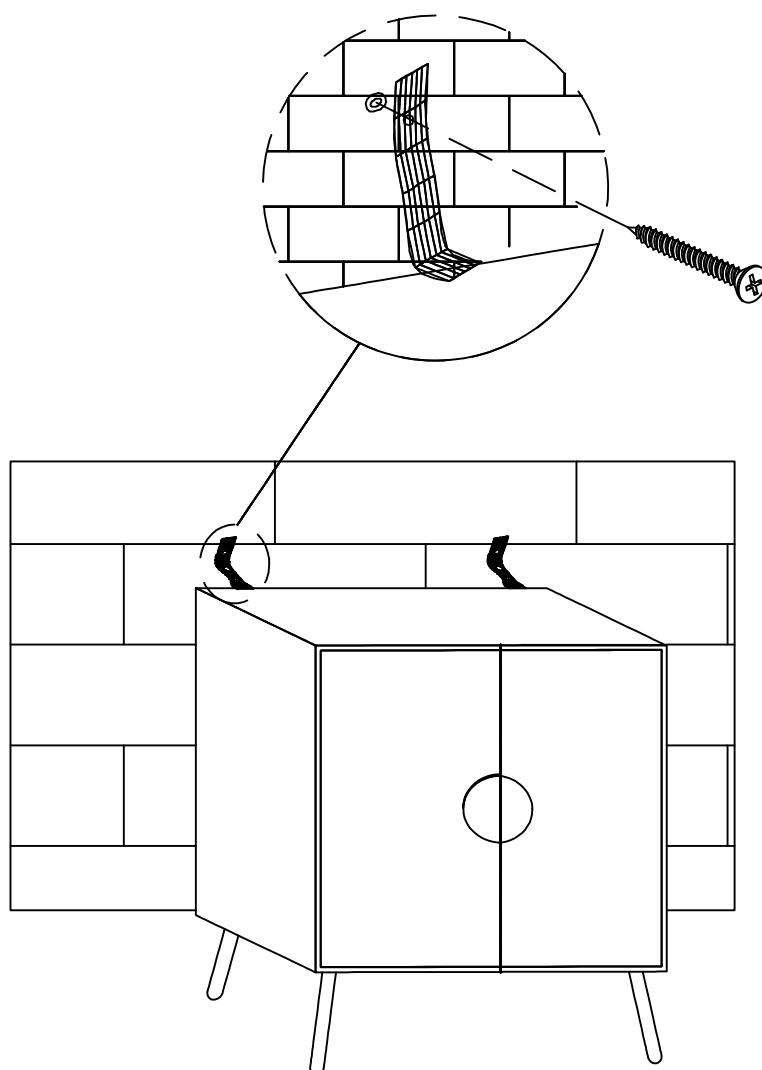


This page lists all the contents included in the box. Please take the time to identify the hardware as well as the individual components to this product. As you unpack and prepare for assembly, place the contents on a carpeted or padded area to protect them from damage.

**1** Upside down the table top (A), rotating Leg (B).



**2** \*NOTE: We recommend that you attach the product to your wall as a safety precaution anti-tipping.



Different wall materials require different types of fixing devices. Using the right fixing devices secures the stability and load bearing capacity of the work restraint.

If you are uncertain about what type of screw or fitting to use, please contact your local hardware store.

Wall straps and screws are provided as safety measures for preventing accidental furniture tip over.

The wall straps are screwed one end to the back of furniture and the other to studs in the wall.

---

### **Cleaning & Care**

Treat surface with care. Surface is resistant to scratches but is not scratch resistant. Clean surfaces with a dry or damp soft cloth. Do not use abrasive cleaners. Hardware may loosen over time. Periodically check that all connections are tight.