

Installation Instructions

Lighted Medicine Cabinet

Record your model number:
Noter le numéro de modèle:
Anoté su número de modelo: _____

Français, page 22
Español, página 42

KOHLER[®]

Thank You for Choosing KOHLER

Need help? Contact our Customer Care Center.






- USA/Canada: 1-800-4KOHLER (1-800-456-4537) Mexico: 001-800-456-4537
- Service parts: kohler.com/serviceparts
- Care and cleaning: kohler.com/clean
- Patents: kohlercompany.com/patents

Warranty

This product is covered under the KOHLER® One-Year Limited Warranty, found at kohler.com/warranty. For a hardcopy of warranty terms, contact the Customer Care Center.

IMPORTANT SAFETY INSTRUCTIONS

Read all instructions before installing or using this product.

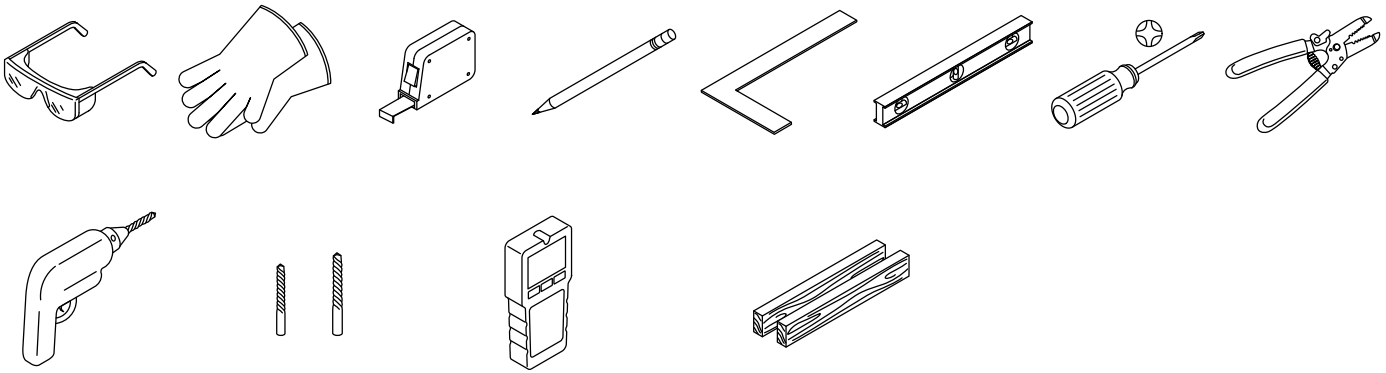
-  **WARNING: When using electrical products, basic precautions should always be followed, including the following:**
-  **WARNING: Risk of electric shock.** Grounding is required for the outlets within the junction box. Connect only to a circuit protected by a Class A Ground-Fault Circuit-Interrupter (GFCI)*, which protects against line-to-ground shock hazard. Use a 120 VAC, 15 A service.
-  **WARNING: Risk of electric shock.** A qualified electrician must route all electrical wiring for the product. Improper installation will create an electrical hazard and may not comply with local building and electrical codes.
-  **WARNING: Risk of electric shock.** Disconnect the power before servicing.
-  **CAUTION: Risk of electric shock.** Electrical wiring may need to be relocated.

Follow all local plumbing, building, and electrical codes.

*Outside North America, this may be known as a Residual Current Device (RCD).

SAVE THESE INSTRUCTIONS

Tools and Materials








Drill Bits: 1/8" and 1/4" Stud Finder 2x4 Lumber - Recess-Mount Only

Plus:

- Wall Anchors
- Framing and Drywall Tools
- Framing and Drywall Fasteners
- Jigsaw or Keyhole Saw - Recess-Mount Only

Before You Begin

-  **CAUTION: Risk of personal injury.** This product is heavy. Get assistance lifting and moving the product.
-  **CAUTION: Risk of product or property damage.** The location of the cabinet is critical. Verify that the door will clear all obstacles (such as a faucet or light fixture). Verify that any obstacles behind the finished wall will not be damaged during the cutting and/or drilling process.
-  **CAUTION: Risk of property damage.** Use anchors (not provided) that are rated for the load weight of this product. Refer to the anchor manufacturer's instructions.
-  **CAUTION: Risk of property damage.** Maximum shelf load: 12.1 lbs (5.5 kg).
-  **CAUTION: Risk of property damage.** Maximum utility bar shelf load: 3.3 lbs (1.5 kg) per shelf.

IMPORTANT! Reroute any electrical wires or water supply piping. If you encounter drain or vent piping or if your wall is load-bearing, consult a professional before proceeding.

NOTICE: Risk of product damage. Do not leave the door supported with only one hinge during removal or reinstallation. Disengage the bottom hinge first during removal, and reattach the top hinge first during installation.

This product does not support TRIAC (Triode for Alternating Current) dimmers.

This medicine cabinet is for recessed- or surface-mount installations. Follow the instructions that apply to your chosen installation.

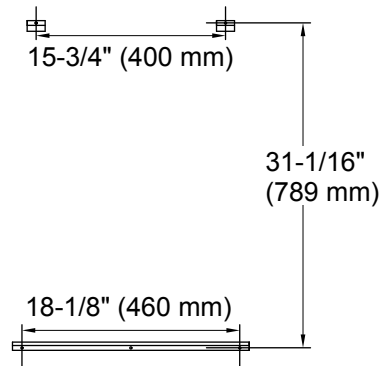
Your product may appear different from the one illustrated. The installation procedure is the same.

Two people should perform this installation.

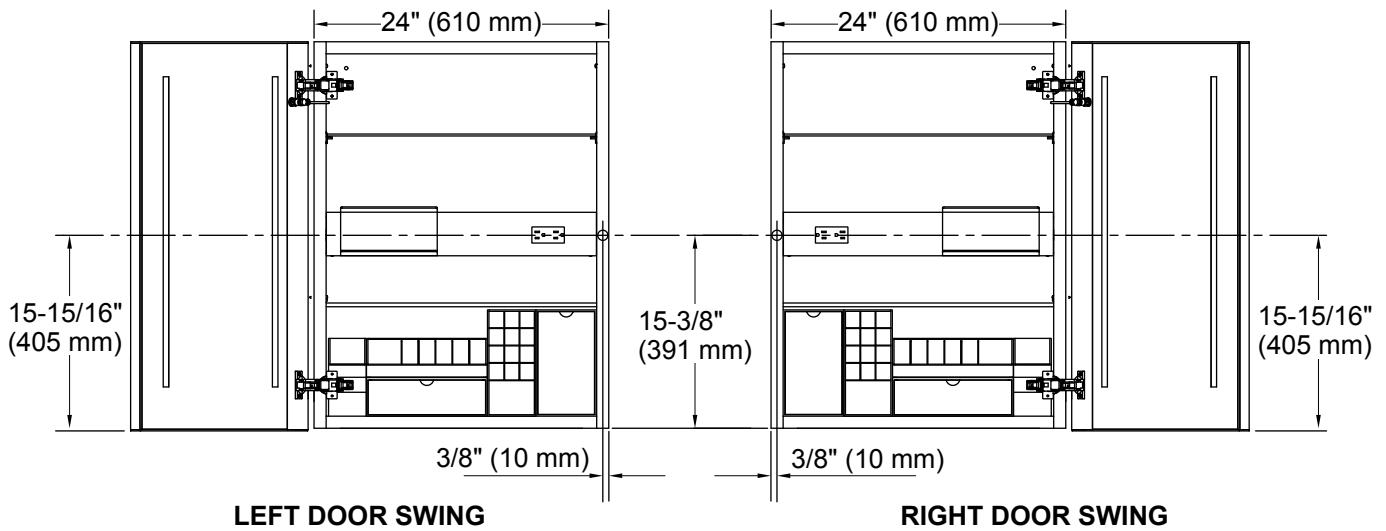
When determining the height of the product, verify the door(s) will clear all obstacles (such as a faucet or light fixture). A minimum distance of 3" (76 mm) is required.

Roughing-In

Mounting-Hole Locations



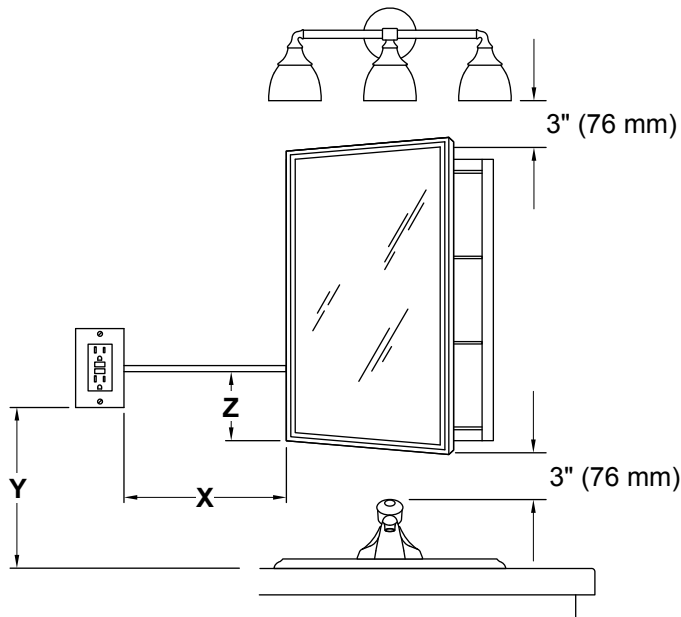
Wiring-Hole Locations



For surface-mount installation, location of the wiring-hole is on the non-hinge side. The center of the wiring-hole should be $\frac{3}{8}$ " (10 mm) from the side of the cabinet. Drill a $\frac{3}{4}$ " (19 mm) hole in the wall for the electrical wires.

For recess-mount installation, electrical wires should enter the cabinet at the location indicated. Electrical wiring may be routed behind the cabinet or along the top or side of the cabinet.

1. Prepare the Site



⚠ WARNING: Risk of electric shock. Disconnect the power before performing the following procedures.

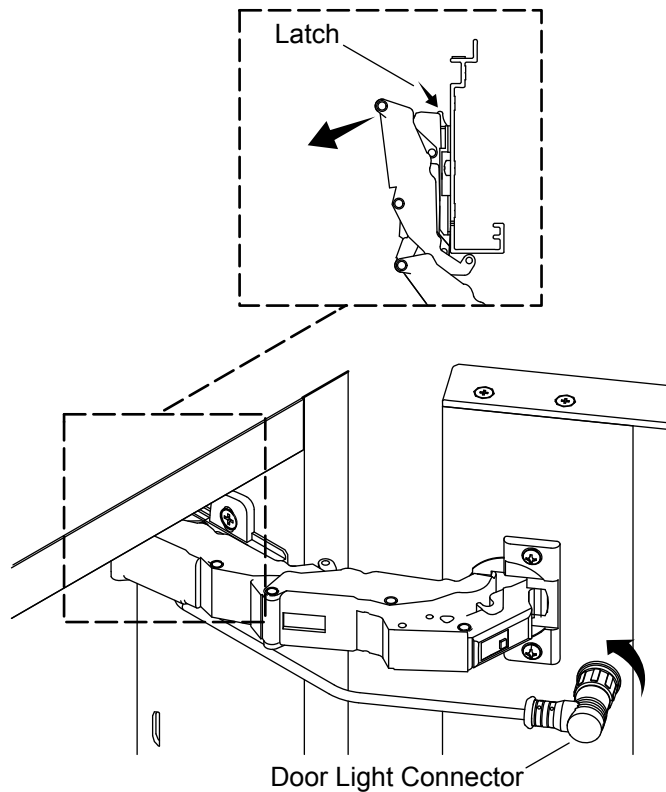
⚠ WARNING: Risk of electric shock. A qualified electrician should route all electrical wiring.

IMPORTANT! Use anchors (not provided) that are rated for the load weight of this product. Refer to the anchor manufacturer's instructions.

- When determining the height of the product, verify that the door will clear all obstacles (such as a faucet or light fixture). Provide a minimum distance of 3" (76 mm).
- Identify and mark stud locations.
- Measure and mark the mounting-hole locations for the bottom hanger(s) and top retaining clips according to the "Roughing-In" section.
- Determine the electrical wire hole location according to the dimensions shown in the "Roughing-In" section.
- Location of wiring holes for surface-mount cabinets is on the non-hinge side.
- Drill a 3/4" (19 mm) hole in the wall for the electrical wires.
- Route the electrical supply wires through the hole in the finished wall.

X	Y	Z
Less than 36" (914 mm)	Greater than 1" (25 mm)	15-15/16" (405 mm)

2. Remove the Door

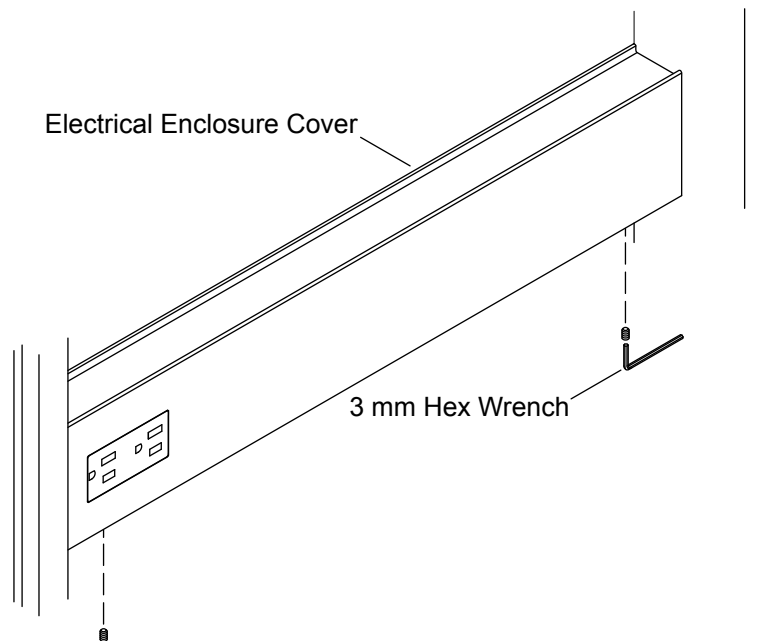


⚠ CAUTION: Risk of personal injury. This product is heavy. Get assistance lifting and moving the product.

NOTE: Cabinet doors can be removed to assist with installing multiple cabinets and recess-mount installations.

- Lay the cabinet on its back onto a padded surface.
- With help, support the door in the open position.
- Unthread the door light connector and unplug the cable.
- Starting with the bottom hinge, press the latch at the end of the hinge to release the latch from the bracket.
- Repeat for the upper hinge.
- Move the door forward to slide the hinges off the brackets.
- Carefully set the door onto a padded surface.

3. Remove the Electrical Enclosure Cover



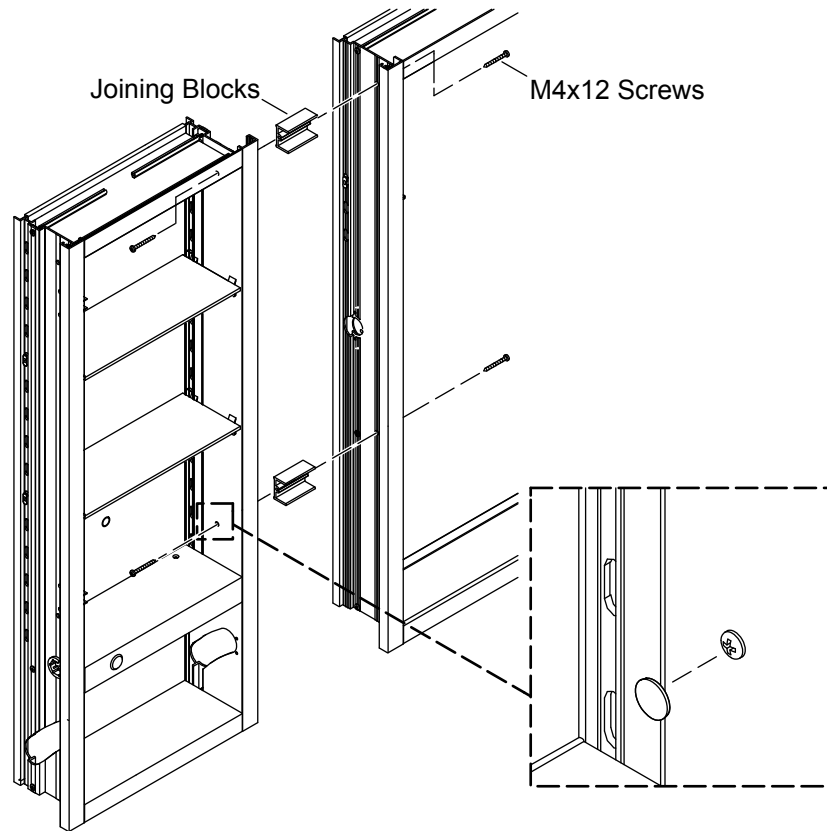
⚠ CAUTION: Risk of personal injury. This product is heavy. Get assistance lifting and moving the product.

NOTE: All electrical wiring must be terminated inside the electrical enclosure.

NOTE: Remove the electrical enclosure cover prior to installation so that the electrical wiring can be inserted into the cabinet. Install the electrical enclosure cover after connecting the electrical supply wires.

- Remove the two bottom screws from the electrical enclosure cover using the provided 3 mm hex wrench. Carefully lift the electrical enclosure cover off the brackets and flip over.

4. Ganging (Multiple Cabinets Only)

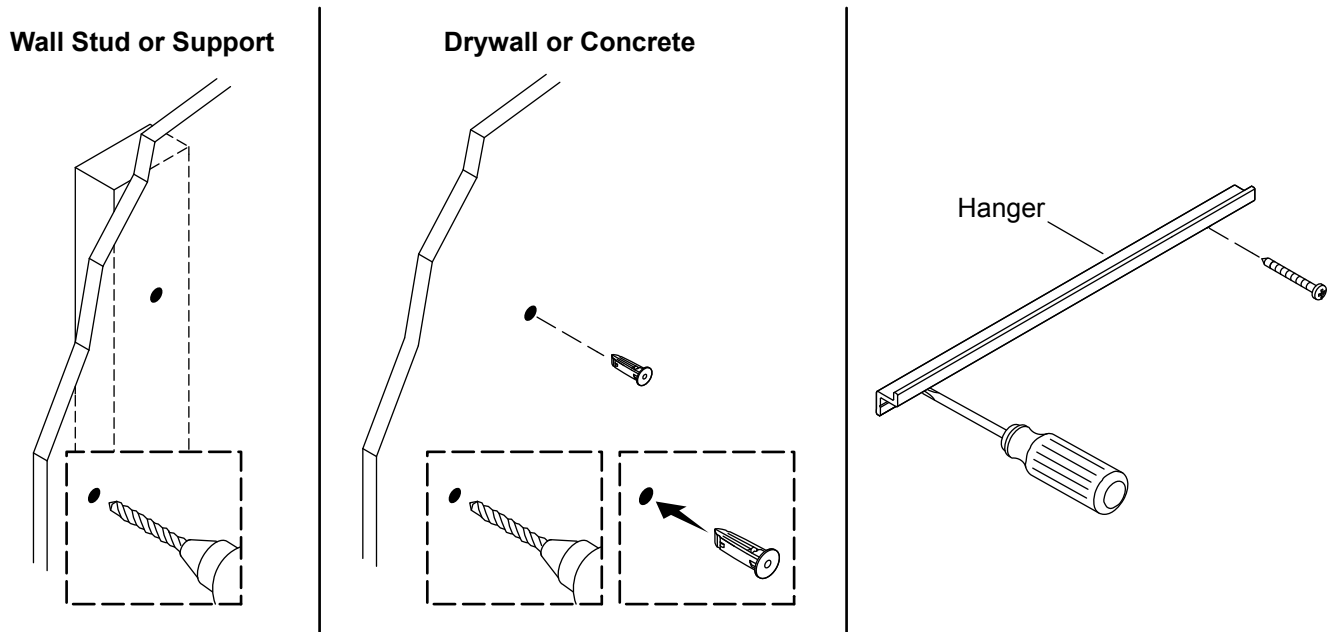


⚠ CAUTION: Risk of personal injury. This product is heavy. Get assistance lifting and moving the product.

NOTE: If installing multiple cabinets, install the cabinets one at a time, ganging the cabinets together one by one as the cabinets are installed.

- Start with the first cabinet and attach two of the joining blocks to the side of the cabinet using the provided screws.
- Position the second cabinet next to the first cabinet.
- Align the screw holes on the side of the second cabinet with the slots in the joining blocks.
- If the electrical wires are connected between the cabinets, carefully position the electrical wires as the cabinets are joined together. Avoid pinching the electrical wires while securing the brackets.
- Secure the second cabinet to the first cabinet using the provided screws.
- Press the provided screw caps over the screws.
- Repeat for each additional cabinet that will be joined together.

5. Install the Hanger - Surface-Mount Installation

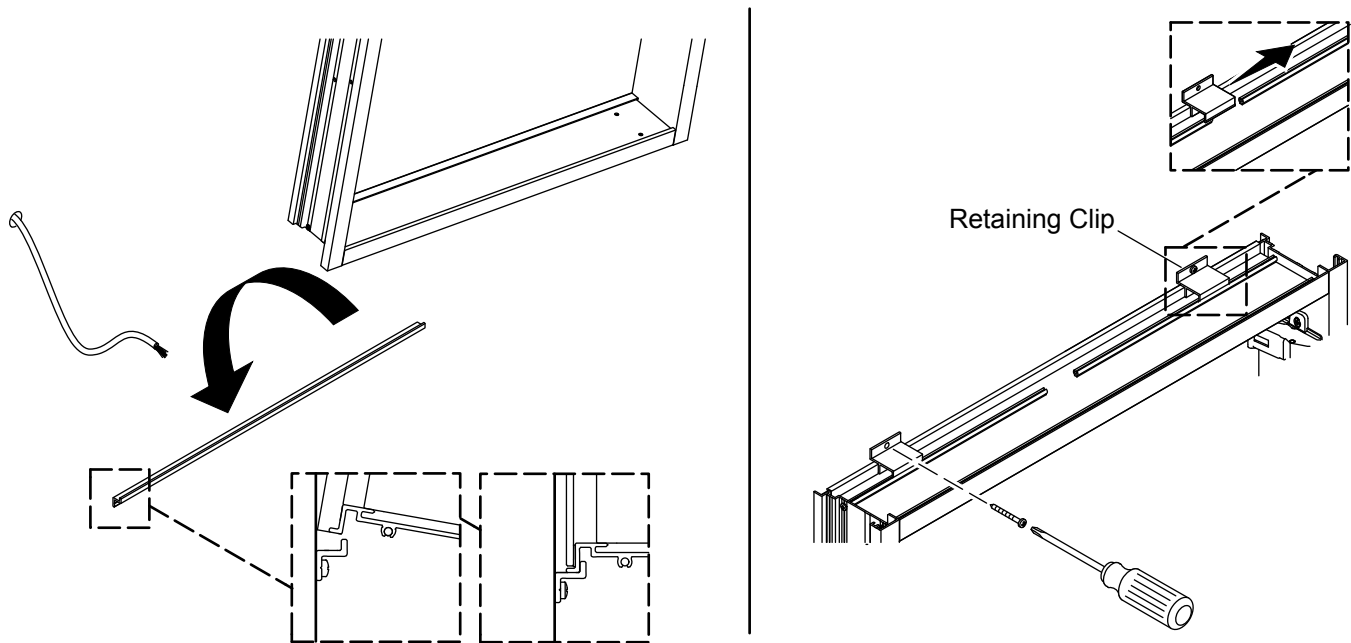


⚠ CAUTION: Risk of personal injury. This product is heavy. Get assistance lifting and moving the product.

NOTE: The following instructions are for surface-mount installation only. For recess-mount installation, refer to the "Recess-Mount Installation" sections.

- With help, lift and hold the cabinet in position on the wall.
- Position the bottom hanger in place under the cabinet on the wall, centered with the centerline of the cabinet.
- Verify that the cabinet and hanger are level.
- With help, set the cabinet down onto a padded surface.
- If the mounting-holes have not been marked, measure and mark the mounting-hole locations for the bottom hanger(s).
- If there is a wall stud or support at the marked mounting-hole locations, drill 1/8" pilot holes at the marked mounting-hole locations.
- For drywall, drill 1/8" pilot holes at the marked mounting-hole locations.
- For concrete walls, drill 1/4" pilot holes at the marked mounting-hole locations.
- For drywall without a stud, install the anchors (not provided).
- For concrete walls, install the anchors (not provided).
- Secure the hanger with the provided ST3.9x50 screws.

6. Install the Cabinet - Surface-Mount Installation



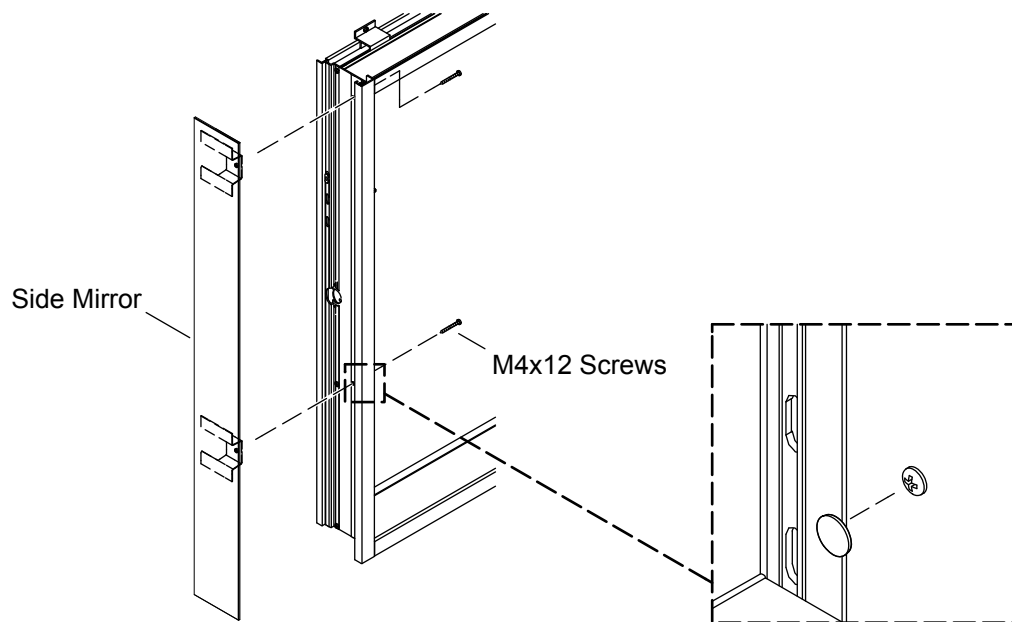
⚠ CAUTION: Risk of personal injury. This product is heavy. Get assistance lifting and moving the product.

NOTE: If installing multiple cabinets, install the cabinets one at a time, ganging the cabinets together one by one as the cabinets are installed. Refer to the “Ganging (Multiple Cabinets Only)” section.

NOTE: The following instructions are for surface-mount installation only. For recess-mount installation, refer to the “Recess-Mount Installation” sections.

- With help, lift the cabinet and set the bottom of the cabinet onto the hanger. Verify that the bottom of the cabinet hooks and engages the hanger.
- Insert the electrical supply wires through the back of the cabinet into the side hole of the electrical enclosure. Pull the electrical supply wires through the cabinet and so that the electrical wires hang down in front of the cabinet.
- From the center of the cabinet, insert the top retaining clips into the channel and position a retaining clip to each side of the cabinet.
- Tilt the top of the cabinet and hold against the wall to mark the mounting-holes for the retaining clips.
- If there is a wall stud or support at the marked mounting-hole locations, drill 1/8" pilot holes at the marked mounting-hole locations.
- For drywall, drill 1/8" pilot holes at the marked mounting-hole locations.
- For concrete walls, drill 1/4" pilot holes at the marked mounting-hole locations.
- For drywall without a stud, install the anchors (not provided).
- For concrete walls, install the anchors (not provided).
- Tilt the top of the cabinet back against the wall and align the holes in the retaining clips with the mounting-holes.
- Secure the retaining clips with the provided ST3.9x50 screws.
- If installing multiple cabinets, refer to the “Ganging (Multiple Cabinets Only)” section to gang the next cabinet.

7. Install the Side Mirrors - Surface-Mount Installation

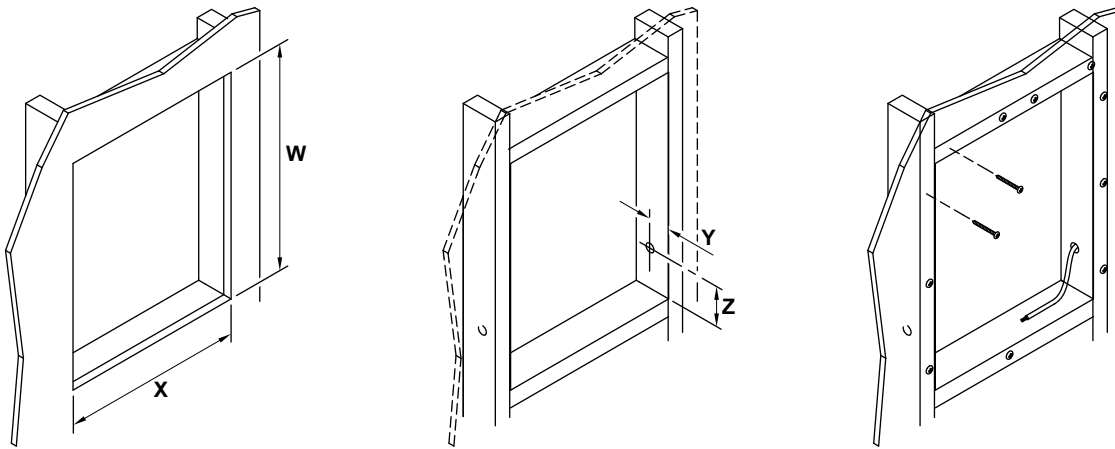


NOTE: The following instructions are for surface-mount installation only. For recess-mount installation, refer to the “Recess-Mount Installation” sections.

NOTE: The side mirrors have a left and right orientation.

- Align the left side mirror on the left side of the cabinet.
- Secure with the two provided M4x12 screws.
- Align the right side mirror on the right side of the cabinet.
- Secure with the two provided M4x12 screws.
- Press the provided screw caps over the screws.

8. Construct the Framing - Recess-Mount Installation



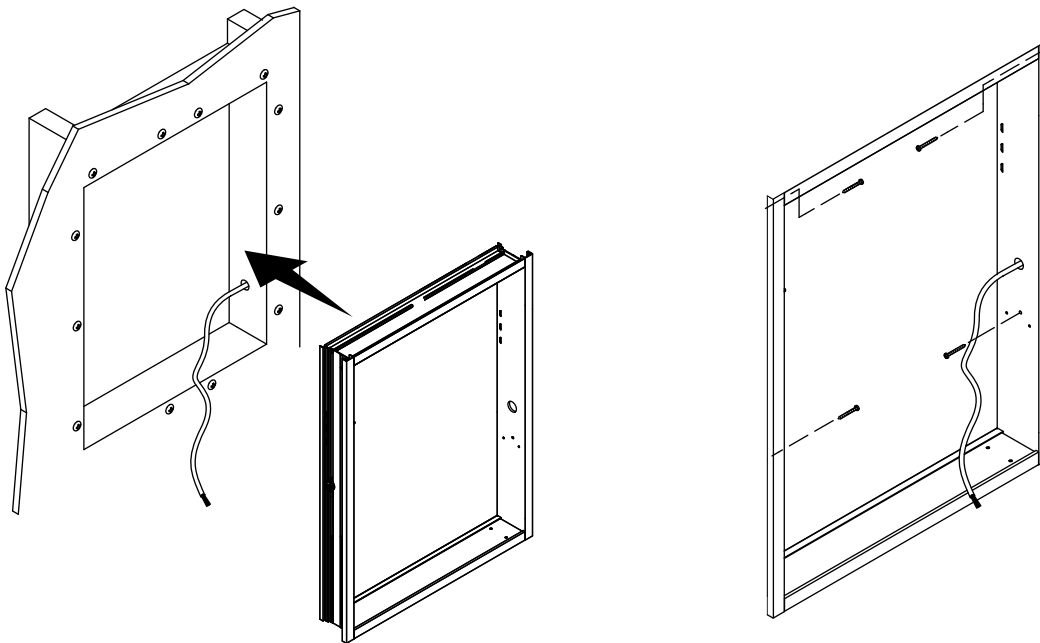
NOTE: The following instructions are for recess-mount installation only. For surface-mount installation, refer to the "Surface-Mount Installation" sections.

- Mark the cutout opening based on your models dimensions from the table below.
- Use a jigsaw or keyhole saw to carefully remove the finished wall material from the marked cutout location.
- Determine the electrical wire hole location according to the dimensions shown in the "Roughing-In" section.
- Verify that there is enough electrical wire to reach the junction box inside the cabinet.
- Frame the wall cavity. If needed, install a header.
- Secure the drywall to the framing.

Cutout Size

Cabinet Model	W (Height)	X (Width)	Y (From Wall Surface)	Z (From Bottom of Cutout)
Lighted Cabinet	30-3/4" (781 mm)	23-1/2" (597 mm)	2-5/16" (59 mm)	15-1/4" (387 mm)

9. Install the Cabinet - Recess-Mount Installation

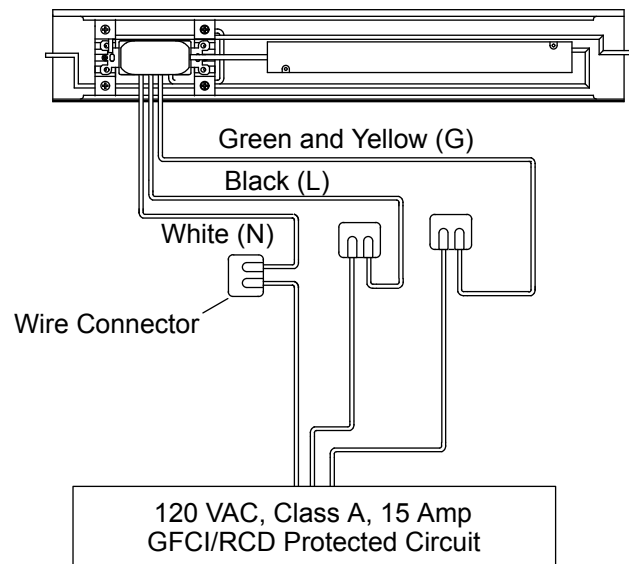
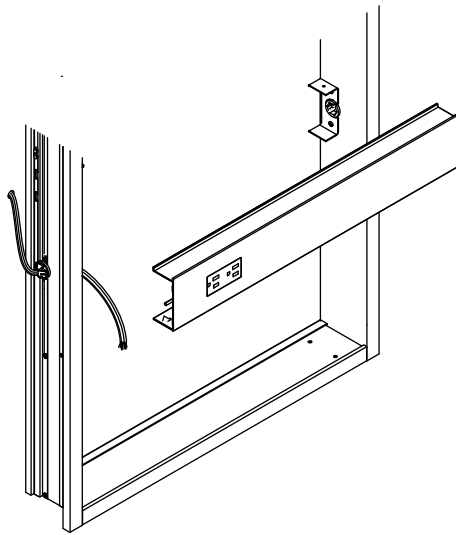


⚠ CAUTION: Risk of personal injury. This product is heavy. Get assistance lifting and moving the product.

NOTE: The following instructions are for recess-mount installation only. For surface-mount installation, refer to the "Surface-Mount Installation" sections.

- With help, lift and hold the cabinet in the cutout.
- Insert the electrical wires through the back of the cabinet at the location identified in the "Roughing-In" section.
- Pull the electrical wires through the cabinet side hole.
- Secure the cabinet to the side framing with the four provided ST3.9X40 screws.
- Press the provided screw caps over the screws.

10. Connect the Electrical Supply Wires (Main Lighted Cabinet)



⚠ WARNING: Risk of electric shock. A qualified electrician should make all electrical connections.

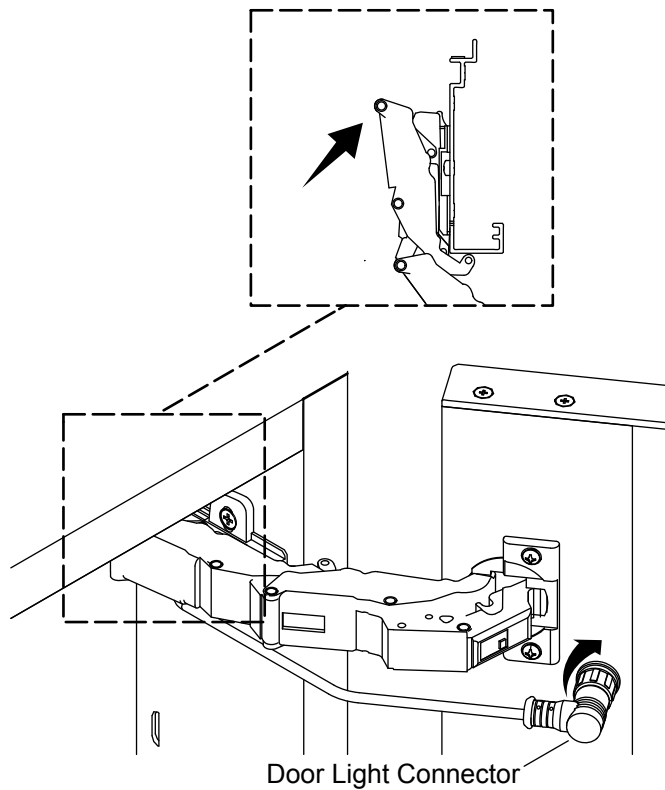
⚠ WARNING: Risk of electric shock. Disconnect the power before performing the following procedures.

NOTICE: A qualified electrician must install the 120 VAC, 15 A, Class A GFCI* protected circuit.

- Connect the electrical supply wires to the cabinet electrical wires following the wiring diagram.
- Reinstall the electrical enclosure cover onto the brackets. Secure with the two hex screws using the provided 3 mm hex wrench.

*Outside North America, this may be known as a Residual Current Device (RCD).

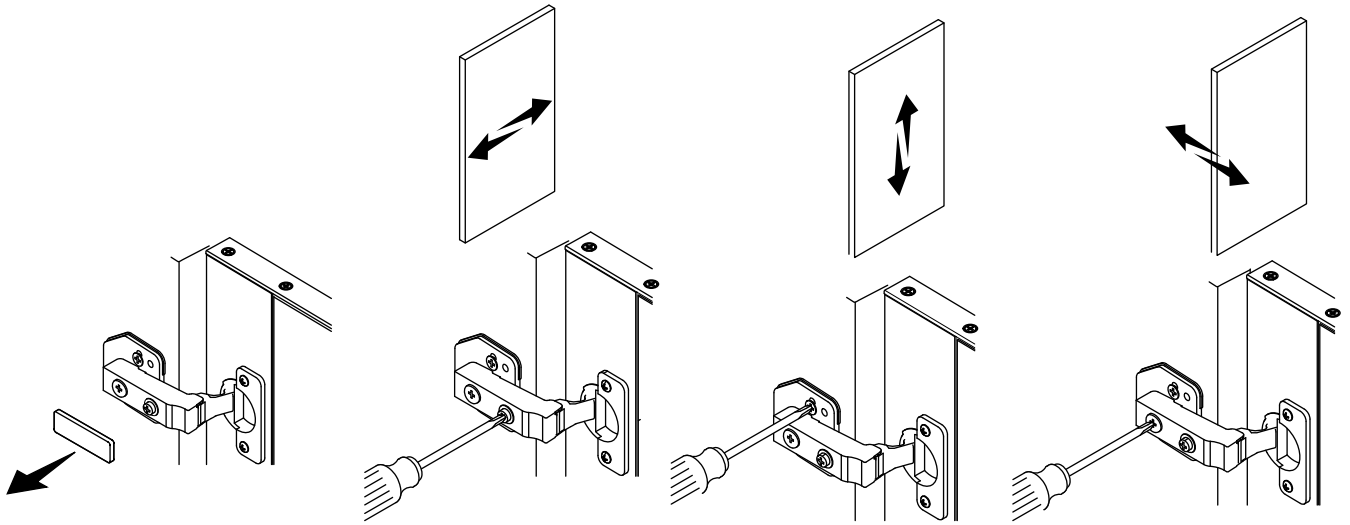
11. Install the Door



⚠ CAUTION: Risk of personal injury. This product is heavy. Get assistance lifting and moving the product.

- With help, support the door in the open position.
- Starting with the top hinge, align the hinge pin with the cup of the bracket.
- Press the back of the hinge to snap the latch onto the bracket.
- Repeat for the lower hinge.
- Plug the electrical cable into the door and then thread the connector.
- Open and close the door to verify proper operation.

12. Adjust the Door



NOTE: The hinges can be adjusted for proper door functionality and alignment.

- Remove the hinge cover to access the adjustment screws.

Left/Right Adjustment

- Tighten or loosen the front screw to adjust the door horizontally.

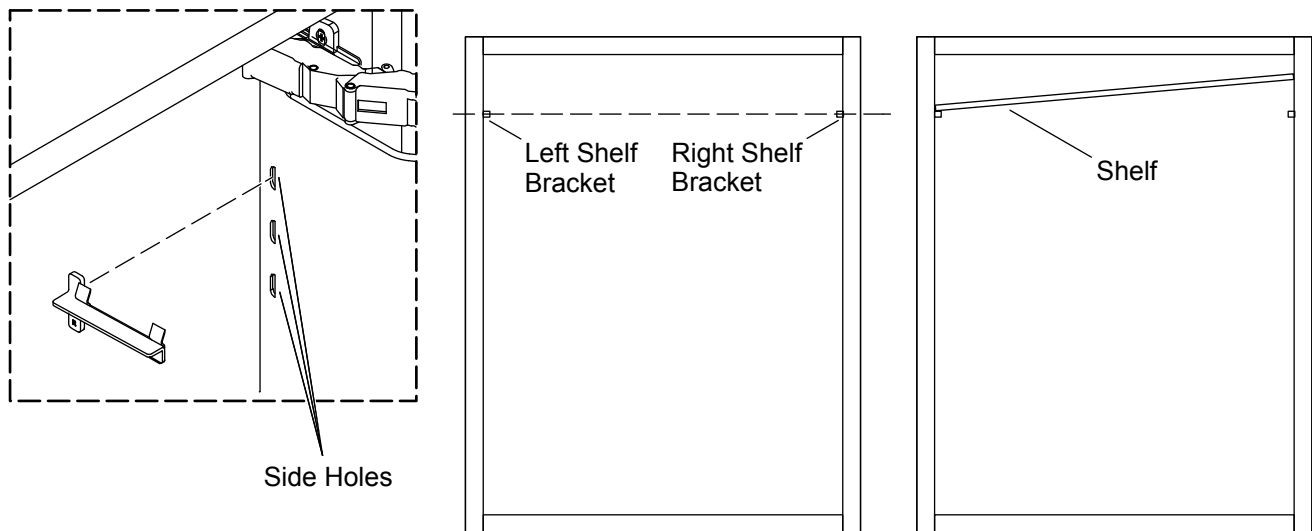
Up/Down Adjustment

- Loosen the two screws holding the hinge to the cabinet. Adjust the height of the door and tighten the screws to secure the door in the desired position.

Forward/Backward Adjustment

- Tighten or loosen the rear screw to adjust the door depth.

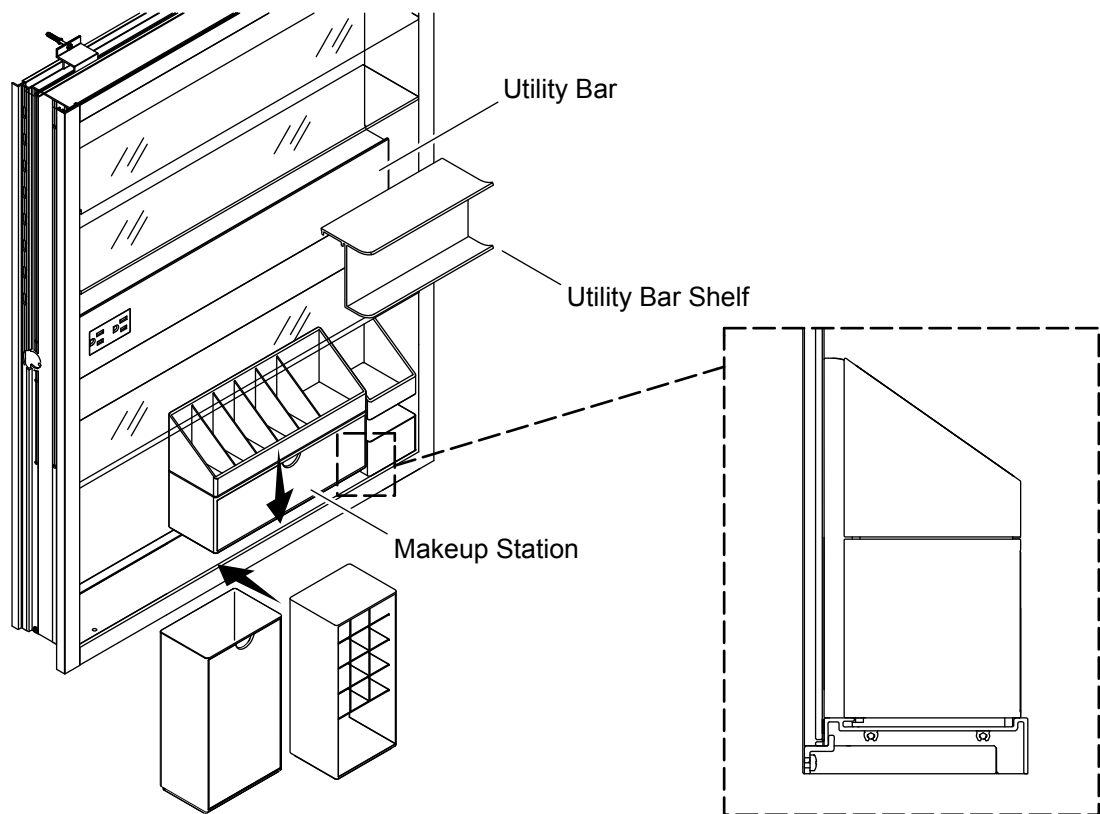
13. Install the Shelves



⚠ CAUTION: Risk of property damage. Maximum shelf load: 12.1 lbs (5.5 kg).

- Insert the left and right shelf brackets into the side holes.
- Verify that the shelf brackets on both sides of the cabinet are aligned.
- Position one end of the shelf onto one shelf bracket and then press the other end of the shelf down onto the opposite shelf bracket.

14. Install the Accessories



⚠ CAUTION: Risk of property damage. Maximum utility bar shelf load: 3.3 lbs (1.5 kg) per shelf.

- Hang the utility bar shelf onto the utility bar.
- Install the makeup station components.

Operating the Light

Brightness Icon



KOHLER Icon

KOHLER



Color Temperature Icon

Manual Mode:

- When the light is OFF, press the KOHLER icon to turn ON the light and anti-fog film. The color of all three icons will change to white. When the brightness and color temperature icons are pressed, the color of the icon being pressed will change to blue, and when released, the color of the icon will change back to white.
- When the light is ON, press the KOHLER icon to turn OFF the light. The anti-fog film will automatically turn OFF 30 minutes later. The brightness and color temperature icons will turn OFF and the KOHLER icon will turn white at 50% brightness.
- Press and hold the KOHLER icon for 2 seconds to enter automatic mode.

Automatic Mode:

- When the light is OFF, approaching the medicine cabinet will turn ON the light and anti-fog film. The brightness and color temperature icons will change to blue, and the KOHLER icon will change to white. When the brightness and color temperature icons are pressed, the color of the icon being pressed will change to white, and when released, the icon color will change back to blue.
- When leaving, after approximately 3 minutes, the light slowly turns off and the icons will turn OFF. The anti-fog film will automatically turn OFF 30 minutes later.
- When the light is ON, press the KOHLER icon to turn OFF the light and enter manual mode.
- When the light is OFF, press the KOHLER icon to turn ON the light and enter manual mode.
- Press and hold the KOHLER icon for 2 seconds to enter manual mode.

Backlight

- Open the mirror door and the light turns ON.
- Close the mirror door and the light turns OFF.

Compliance

Contains FCC ID: N82-KOHLER052

This device complies with Part 15 of the FCC Rules. Operation is subject to the following two conditions: (1) this device may not cause harmful interference, and (2) this device must accept any interference received, including interference that may cause undesired operation.

Changes or modifications not expressly approved by the party responsible for compliance could void the user's authority to operate the equipment.

This equipment has been tested and found to comply with the limits for a Class B digital device, pursuant to Part 15 of the FCC Rules. These limits are designed to provide reasonable protection against harmful interference in a residential installation. This equipment generates, uses, and can radiate radio frequency energy and, if not installed and used in accordance with the instructions, may cause harmful interference to radio communications. However, there is no guarantee that interference will not occur in a particular installation. If this equipment does cause harmful interference to radio or television reception, which can be determined by turning the equipment off and on, the user is encouraged to try to correct the interference by one of the following measures:

- Reorient or relocate the receiving antenna.
- Increase the separation between the equipment and receiver.
- Connect the equipment into an outlet on a circuit different from that to which the receiver is connected.
- Consult the dealer or an experienced radio/TV technician for help.

Contains IC: 4554A-KOHLER052

This device contains license-exempt transmitter(s)/receiver(s) that comply with Innovation, Science and Economic Development Canada's license-exempt RSS(s). Operation is subject to the following two conditions: (1) this device may not cause interference, and (2) this device must accept any interference, including interference that may cause undesired operation of the device.