

# GRACE ROUND DINING TABLE

## OWNER'S MANUAL

VENDOR ITEM NO. :  
 PNRA61 - SNOWFALL  
 PNRB61 - RAVEN  
 PNKX61 - BLUEBERRY



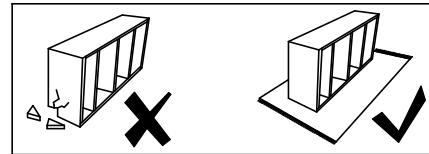
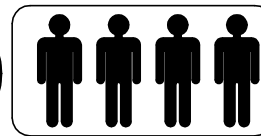
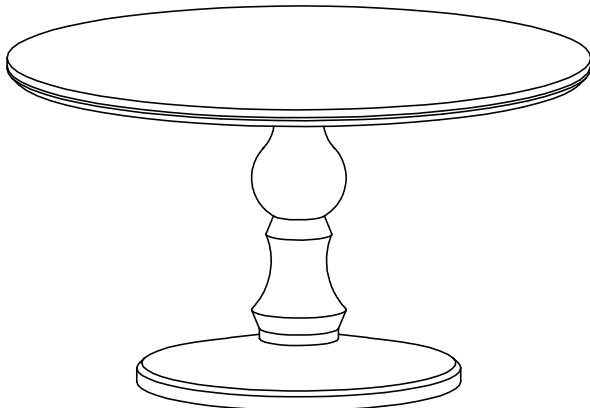
### ASSEMBLY PARTS LIST

PART NO.	IMAGE	DESCRIPTION	QUANTITY
A		TOP	1
B		SUPPORT TOP	1
C		LEG	1
D		BASE	1

### HARDWARE KIT PACKED IN BOX

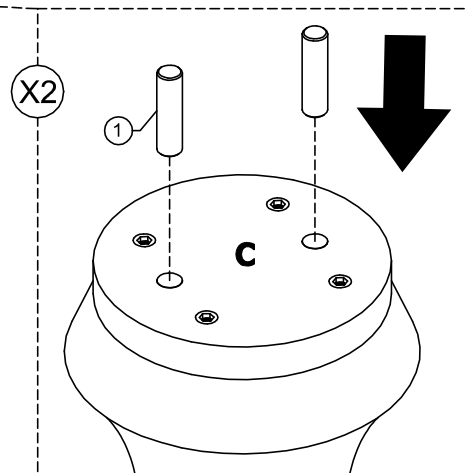
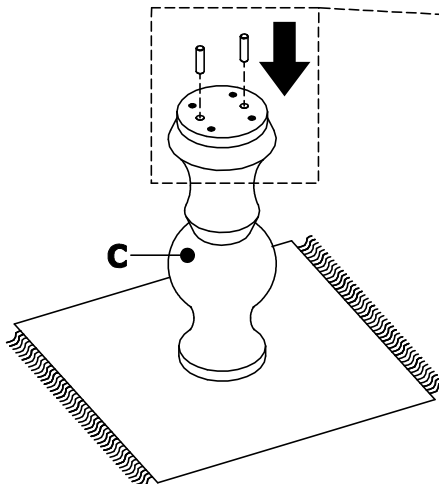
PART NO.	IMAGE	DESCRIPTION	QUANTITY
1		WOOD DOWEL Ø16X60mm	4
2		ALLEN BOLT (8X110mm)	4
3		ALLEN BOLT (8X40mm)	4
4		ALLEN BOLT (6X35mm)	8
5		SPRING WASHER (M8)	8
6		FLAT WASHER (M8)	8
7		SPRING WASHER (M6)	8
8		FLAT WASHER (M6)	8
9		ALLEN KEY (L4)	1
10		ALLEN KEY (L5)	1

FULLY ASSEMBLED



### ASSEMBLY INSTRUCTIONS

#### STEP 1 :



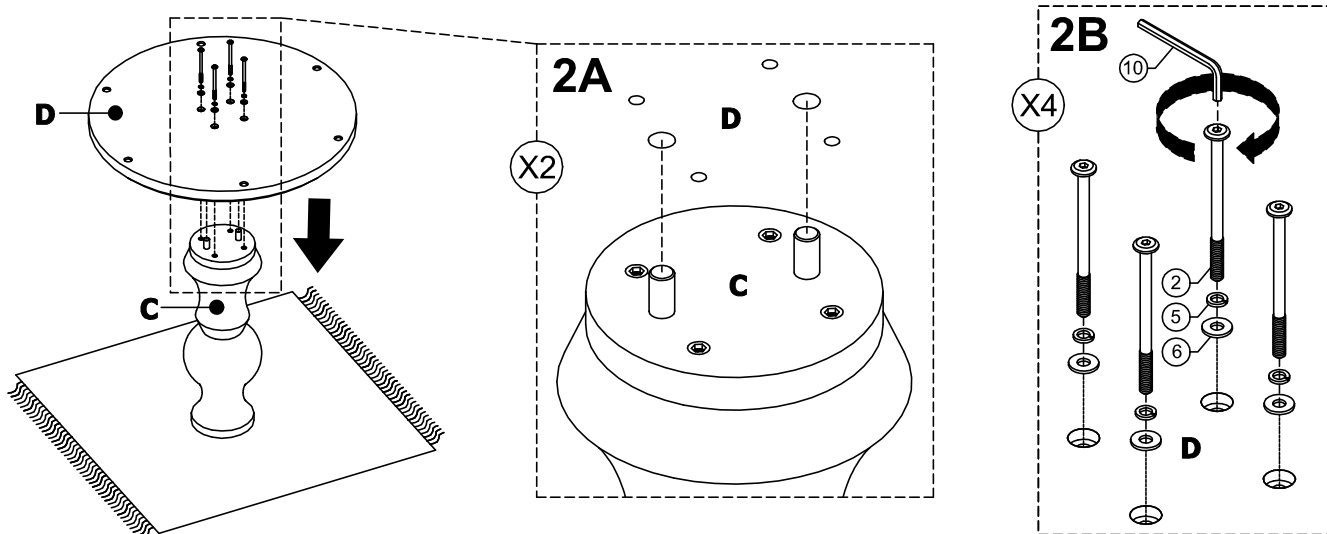
# GRACE ROUND DINING TABLE

## OWNER'S MANUAL

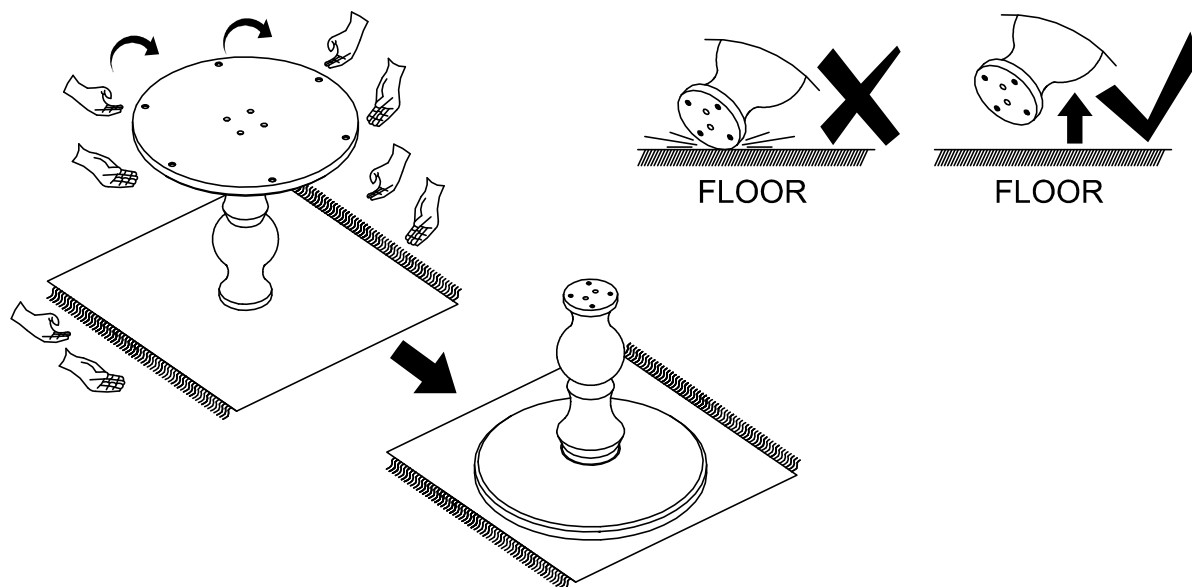
VENDOR ITEM NO. :  
PNRA61 - SNOWFALL  
PNRB61 - RAVEN  
PNKX61 - BLUEBERRY



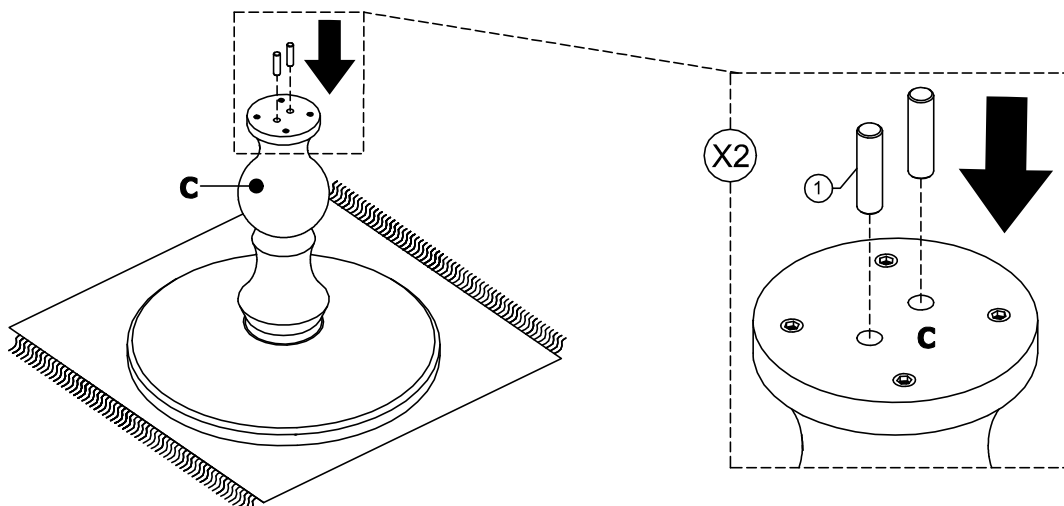
### STEP 2 :



### STEP 3 :



### STEP 4 :



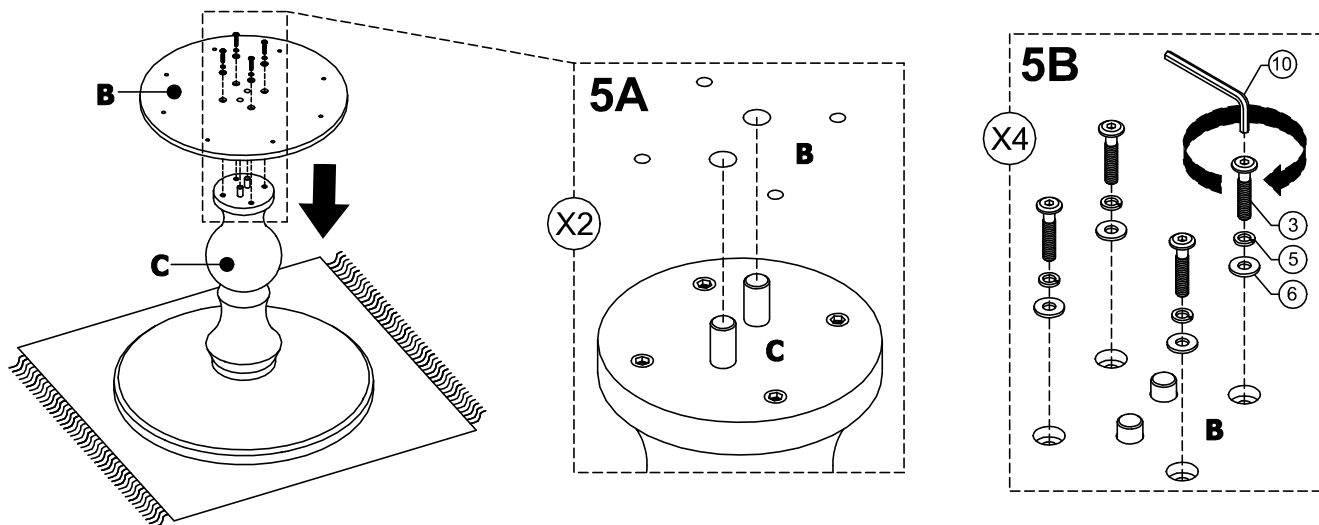
# GRACE ROUND DINING TABLE

## OWNER'S MANUAL

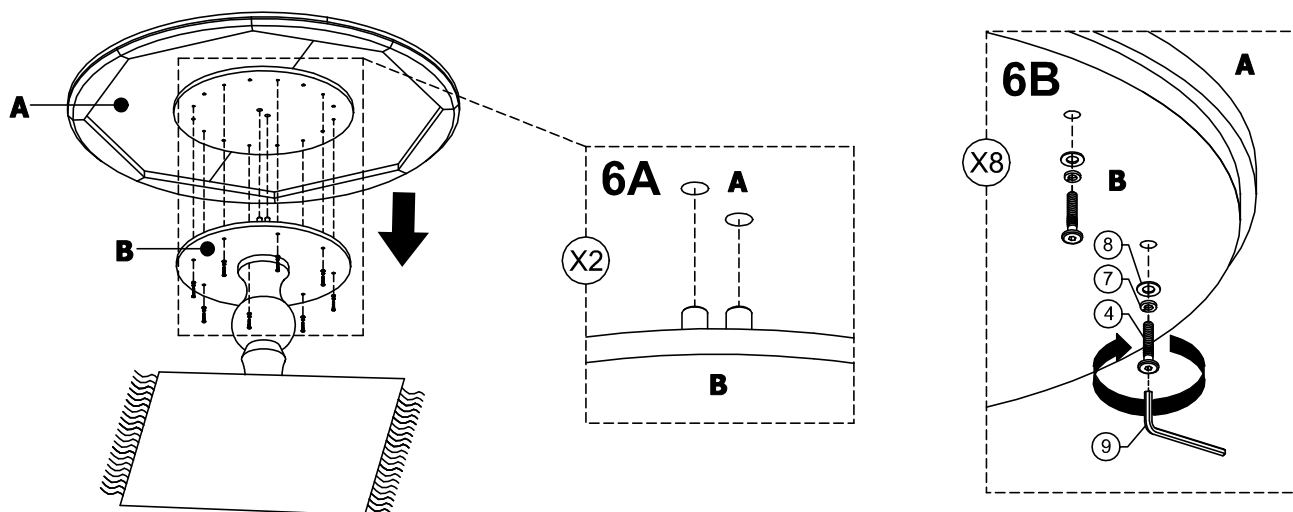
VENDOR ITEM NO. :  
PNRA61 - SNOWFALL  
PNRB61 - RAVEN  
PNKX61 - BLUEBERRY



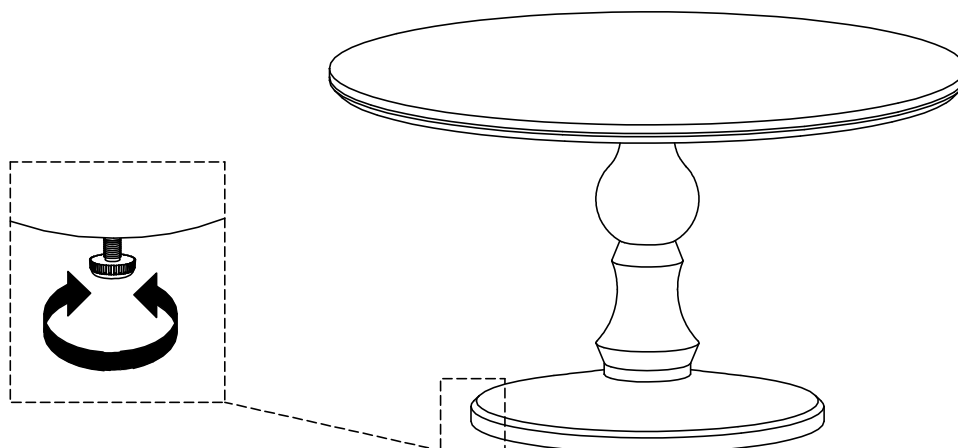
### STEP 5 :



### STEP 6 :



### STEP 7 :



**ASSEMBLY COMPLETE**