
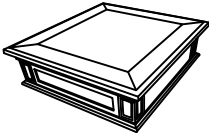
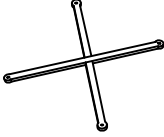




HEKMAN®

A HOWARD MILLER COMPANY

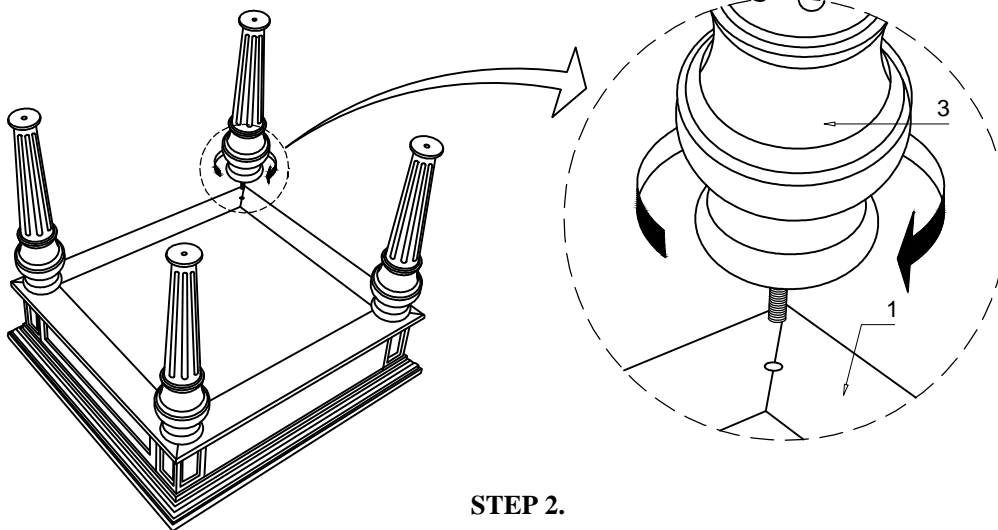
23304 END TABLE

PART INSIDE				
1 TOP ASSEMBLY (1 Pc)	2 STRETCHER (1 Pc)	3 LEG (4 Pcs)	4 BUNFEET (4 Pcs)	
				

Assembly Instruction

STEP 1.

LAY TOP ASSEMBLY UPSIDE DOWN ON A SOFT, CLEAN AND FLAT SURFACE.
TURN THE LEGS (3) IN THE TOP ASSEMBLY (1).



STEP 2.

PLACE STRETCHER ASSEMBLY (2) ON THE LEGS (3).
TURN THE FEET (4) INTO THE LEGS HOLDING THE STRETCHER ASSEMBLY IN PLACE.

