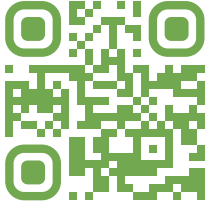




Location:



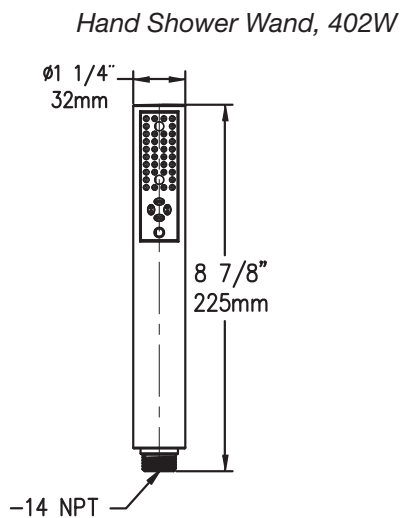
402W, 432W  
Hand Shower Wand  
**Specification Submittal**

<p><b>Model Numbers</b></p>	<p><b>Feature Highlights</b></p>
<p><input type="checkbox"/> <b>402W</b>      Two mode hand shower wand</p> <p><input type="checkbox"/> <b>432W</b>      Single mode hand shower wand</p>	<ul style="list-style-type: none"> <li>• Metal construction</li> <li>• Polished chrome finish (standard finish)</li> <li>• Standard flow rate is 2.0 gpm (7.6 L/min)</li> <li>• Optional lower flow rate restrictor available</li> </ul>
<p><b>Options/ Modifications</b></p> <p><input type="checkbox"/> <b>1.5</b>      <b>1.5 gpm (5.7 L/min) flow restrictor</b></p> <p><input type="checkbox"/> <b>1.75</b>     <b>1.75 gpm (6.6 L/min) flow restrictor</b></p> <p><input type="checkbox"/> <b>STN</b>      <b>Satin Nickel finish</b></p> <p><input type="checkbox"/> <b>BLK</b>      <b>Modern Black finish</b></p> <p><b>Note:</b> Append appropriate -suffix to model number.</p>	
<p><b>Compliance</b></p>	<p><b>Warranty</b></p> <p><b>Limited Lifetime</b> - to the original end purchaser in consumer/residential installations.</p> <p><b>10 Years</b> - for commercial/industrial installations. Refer to <a href="http://www.symmons.com/warranty">www.symmons.com/warranty</a> for complete warranty information.</p> 
<p>- ASME A112.18.1/CSA B125.1</p> <p>- WaterSense (2.0 for 402W &amp; 432W)</p>  	

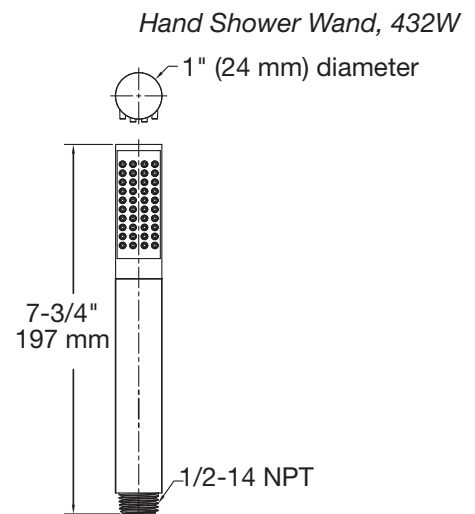
**Architectural/ Engineering Specification**

Symmons Sereno Showerhead \_\_\_\_\_ Includes Single mode showerhead, Polished chrome finish (standard finish), 2.0 gpm (7.6 L/min) standard flow rate. 10 Year Commercial Warranty. ASME A112.18.1/CSA B125.1, WaterSense 2.0 gpm (7.6 L/min) compliant. Available options: "1.5 - 1.5 gpm (5.7 L/min) flow restrictor", "STN - Satin Nickel finish", "MB - Matte Black finish".

**Dimensions**



**Note:** Dimensions subject to change without notice.



**Note:** Dimensions subject to change without notice.