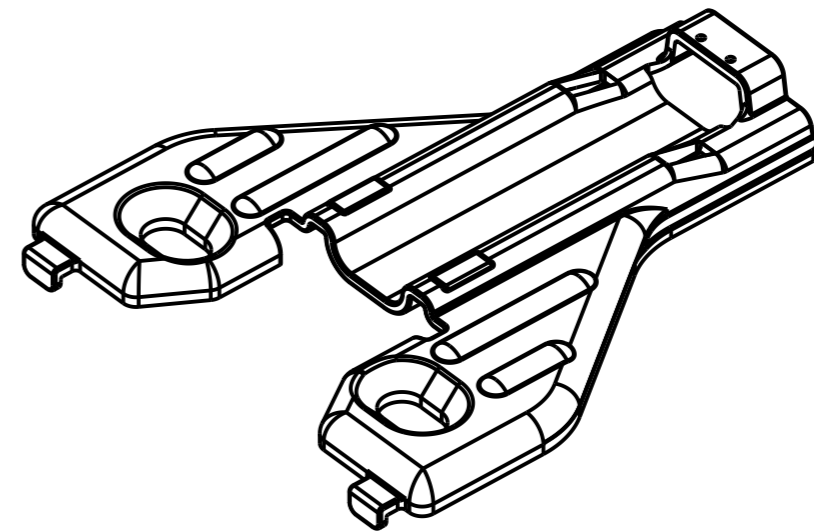
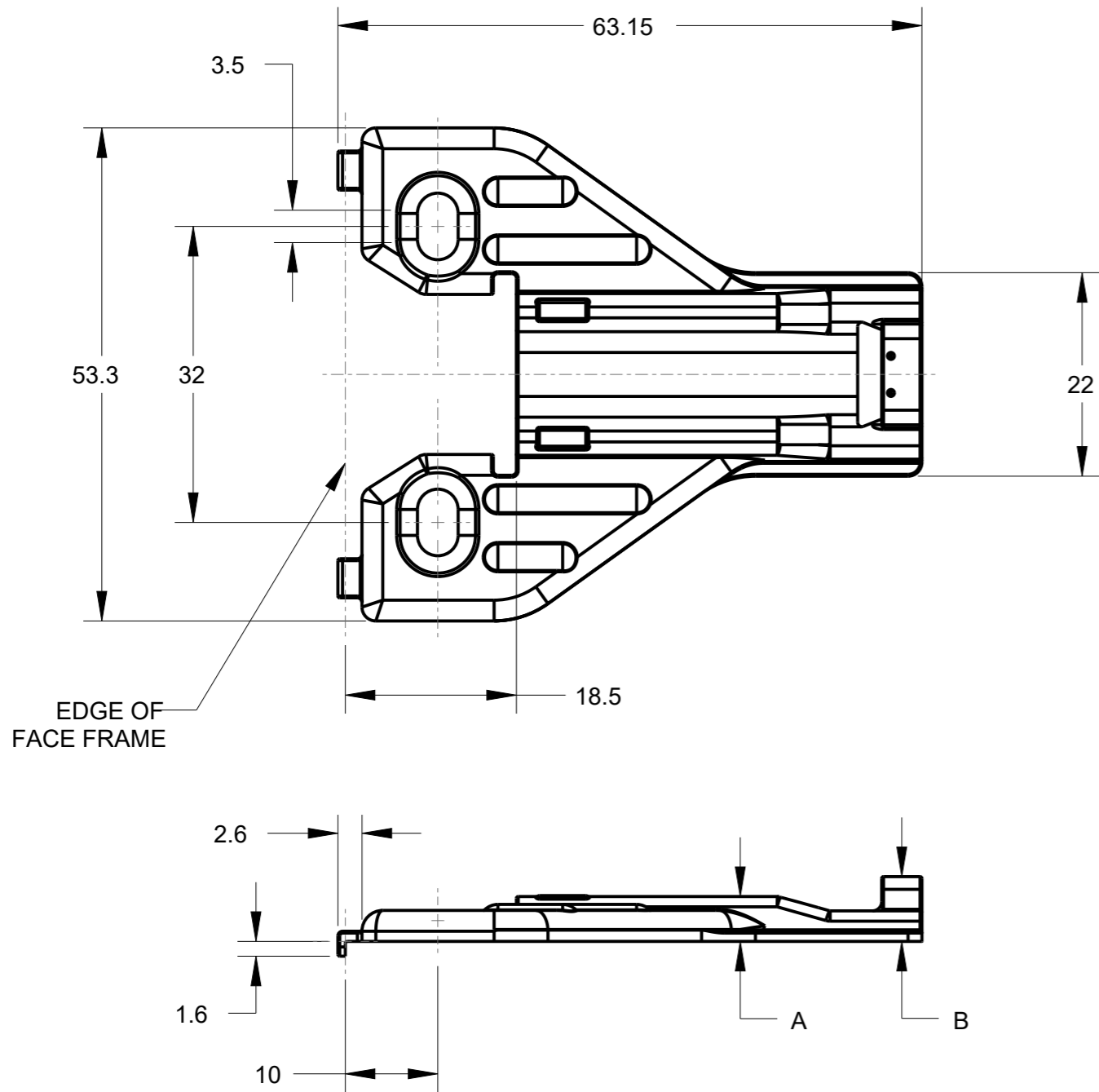


8 7 6 5 4 3 2 1

F
E
D
C
B
A

F
E
D
C
B
A



HR ITEM NUMBER	PRODUCT DESCRIPTION	A	B
600.3456.65	PLATE, 600, FF, STEEL, STANDARD DUTY, 0MM	4.9	7
600.3457.65	PLATE, 600, FF, STEEL, STANDARD DUTY, 3MM	7.4	10

THIRD ANGLE PROJECTION 		hardware resources	
MATERIAL STEEL	FINISH NICKEL PLATED		
DRAWN BY GREG DAVIS		DATE 01MAR2022	
DESIGNED BY SOURCED		DATE N/A	
APPROVED BY DENNIS MCGREGOR		DATE 02MAR2022	
DOCUMENT STATUS Released		DESCRIPTION PLATE, 600, FF, STEEL, STANDARD DUTY	
HARDWARE RESOURCES RESERVES THE RIGHT TO CHANGE SPECIFICATIONS WITHOUT NOTICE. IN CASE OF A DISCREPANCY, ACTUAL PART GEOMETRY SUPERSEDES THIS DOCUMENT.		DRAWING 600-3456_3457	
THE INFORMATION CONTAINED WITHIN THIS DRAWING IS THE SOLE PROPERTY OF HARDWARE RESOURCES INC. ANY REPRODUCTION IN PART OR WHOLE WITHOUT WRITTEN PERMISSION OF HARDWARE RESOURCES INC. IS PROHIBITED.		SIZE A3	SCALE 1.500
		REV A	
		SHEET 1 / 1	

8 7 6 5 4 3 2 1