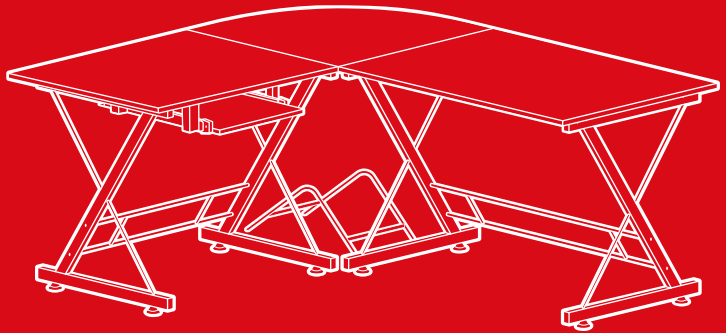




bestchoiceproducts



INSTRUCTION MANUAL

Wood L-Shaped Corner
Computer Desk



bestchoiceproducts

As shoppers, we're always trying to find the perfect balance between quality & value. At BCP, we believe we've achieved that. Our diverse catalog of everyday essentials is tailored especially to our customers & guaranteed to hit that sweet spot of high quality & low price.

— Always. —

! NOTICE

Please retain these instructions for future reference.

- Do not stand on or use any part of this item as a step ladder.
- Firmly secure all bolts, screws and knobs before use.
- Reconfirm that all bolts, screws, and knobs are secure every 90 days.
- Be aware that some parts are heavy and have sharp edges.
- Fasten screws loosely during initial assembly. Do not firmly tighten the screws until the piece is completely assembled.
- Two people are required to assemble this product.
- Product is intended for indoor use only.
- If any parts are missing, broken, damaged, or worn, stop using this item until repairs are made and/or factory replacement parts are installed.
- Do not use this item in a way inconsistent with the manufacturer's instructions as this could void the product warranty.
- Place the desk on smooth, flat ground. Do not use it outdoors or on slanted ground.

CARE & MAINTENANCE

- Wipe down the furniture with a damp cloth.
- Reconfirm that all bolts, screws, and knobs are secure every 90 days.

TOOLS REQUIRED



PHILLIPS
SCREWDRIVER



ALLEN WRENCH
(PROVIDED)



66 LBS
CAPACITY

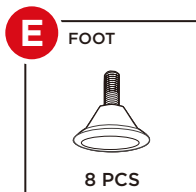
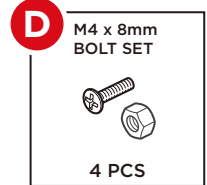
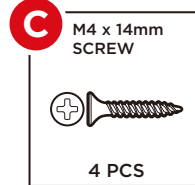
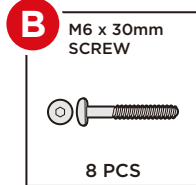
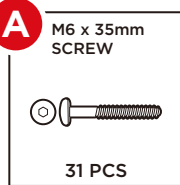


1 PERSON
ASSEMBLY

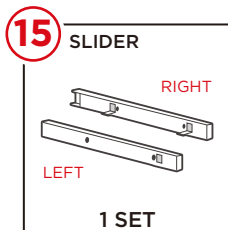
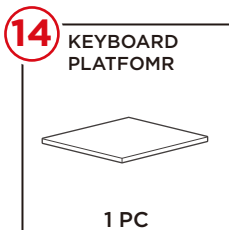
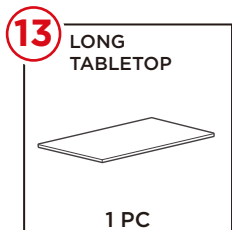
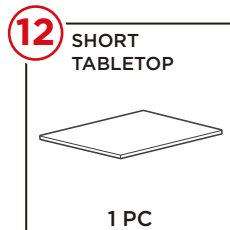
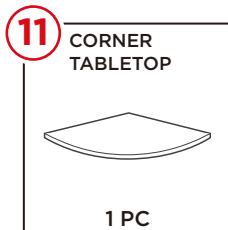
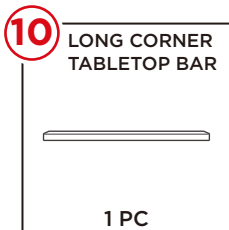
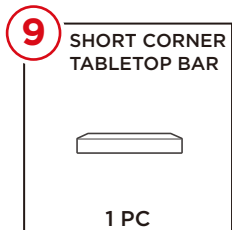
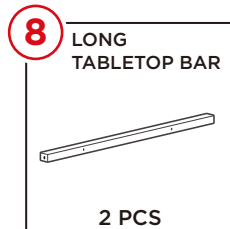
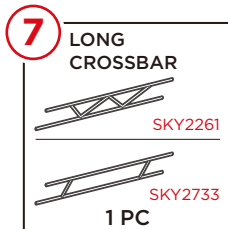
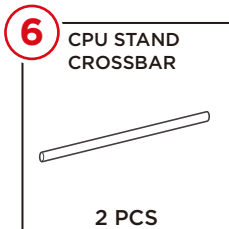
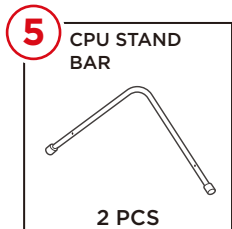
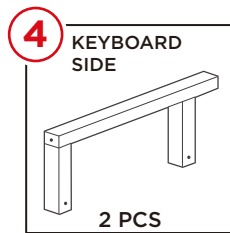
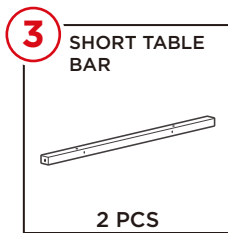
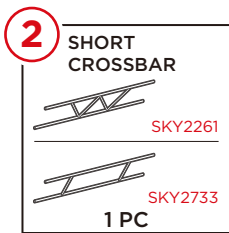
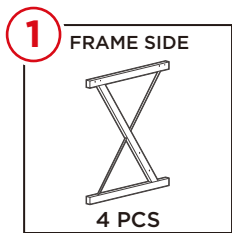


UP TO 60 MIN.
ASSEMBLY

HARDWARE



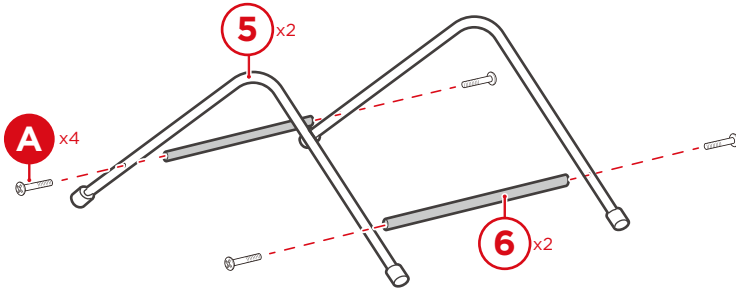
PARTS



PRODUCT ASSEMBLY

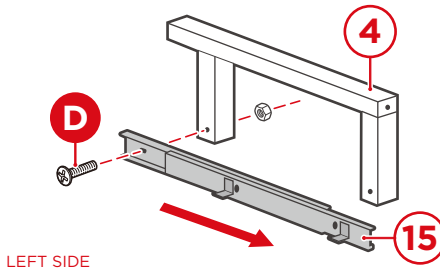
1

Assemble the CPU stand.



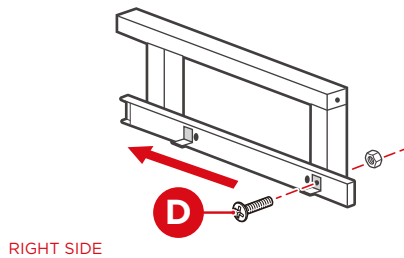
2

Slide open a part 15 slider and attach the back of the slider to a part 4 keyboard side with a part D bolt set.



3

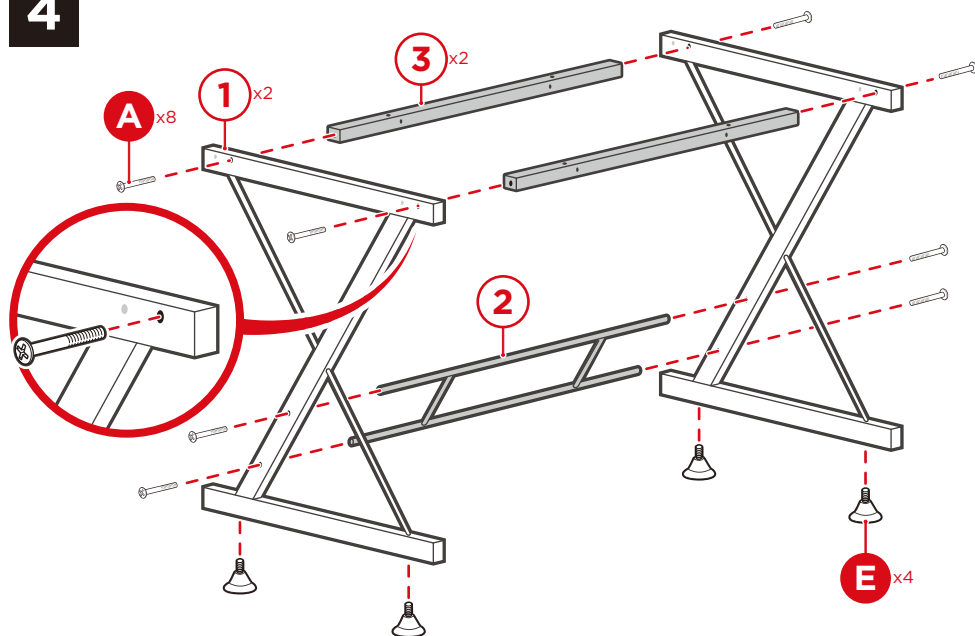
Align the front screw hole with the screw hole on part 4, then attach the front of the slider. Repeat to attach a slider to the other keyboard side.



PRODUCT ASSEMBLY

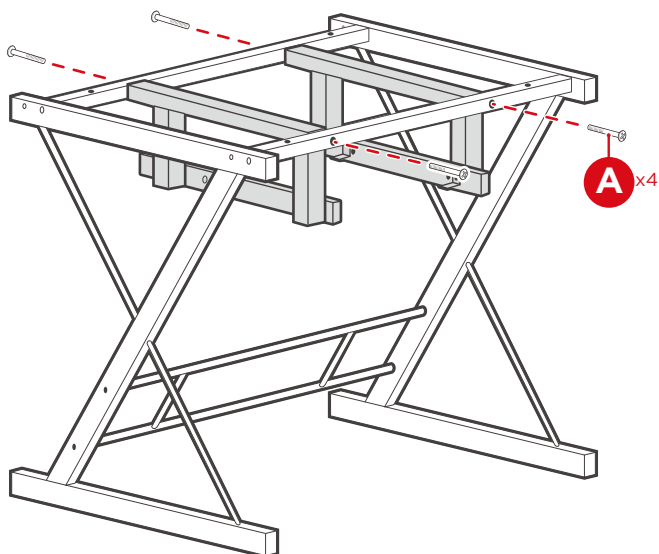
4

Assemble the short table frame.



5

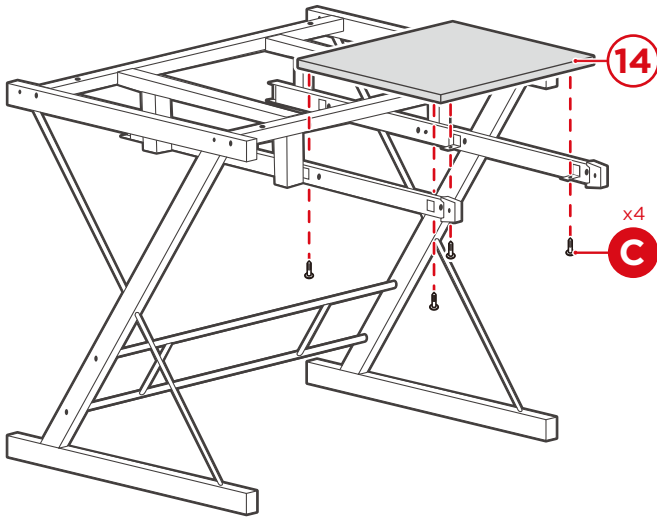
Attach the keyboard frames to the short table.



PRODUCT ASSEMBLY

6

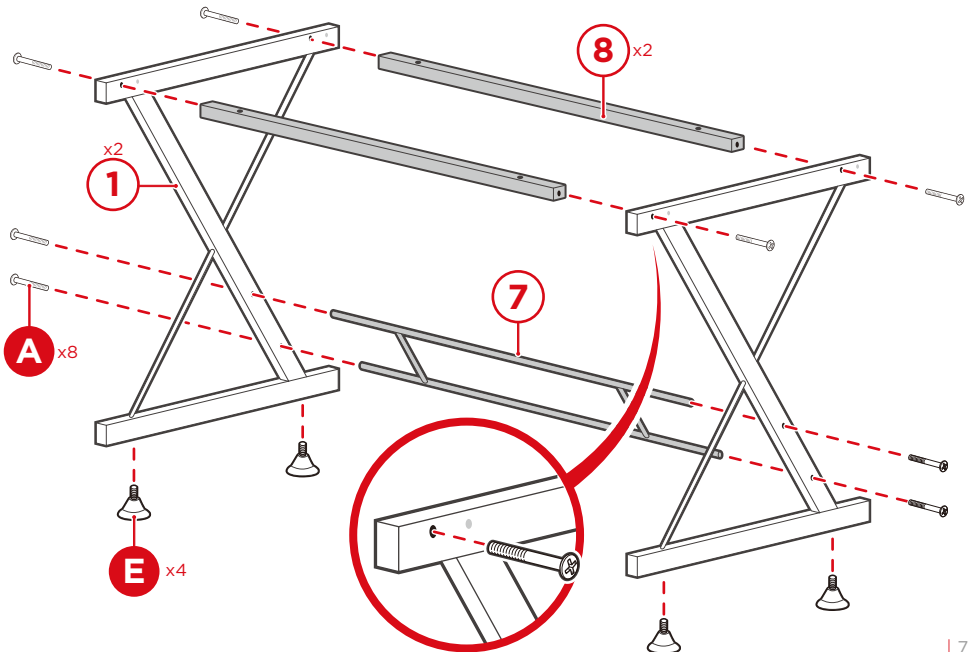
Attach the part 14 keyboard platform to the keyboard frames.



7

Assemble the long table frame.

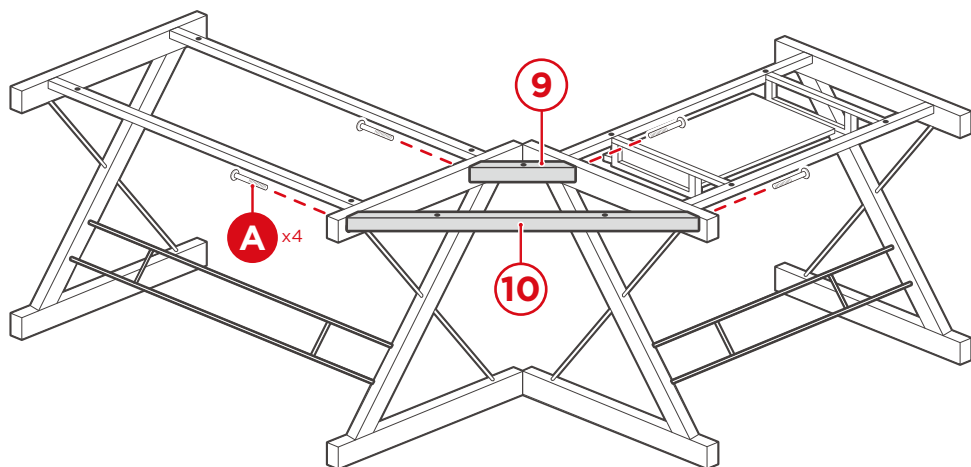
NOTE: The short and long tables can be placed on either side. Before continuing assembly, make sure to place the tables in your preferred position.



PRODUCT ASSEMBLY

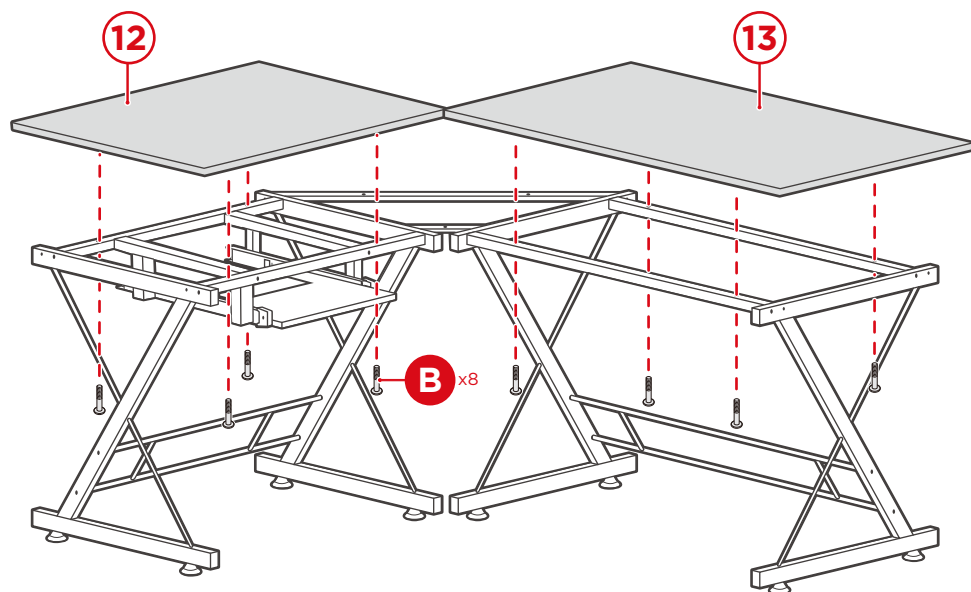
8

Place parts 9 and 10 between the two table frames and secure them with four part A screws, two on each side.



9

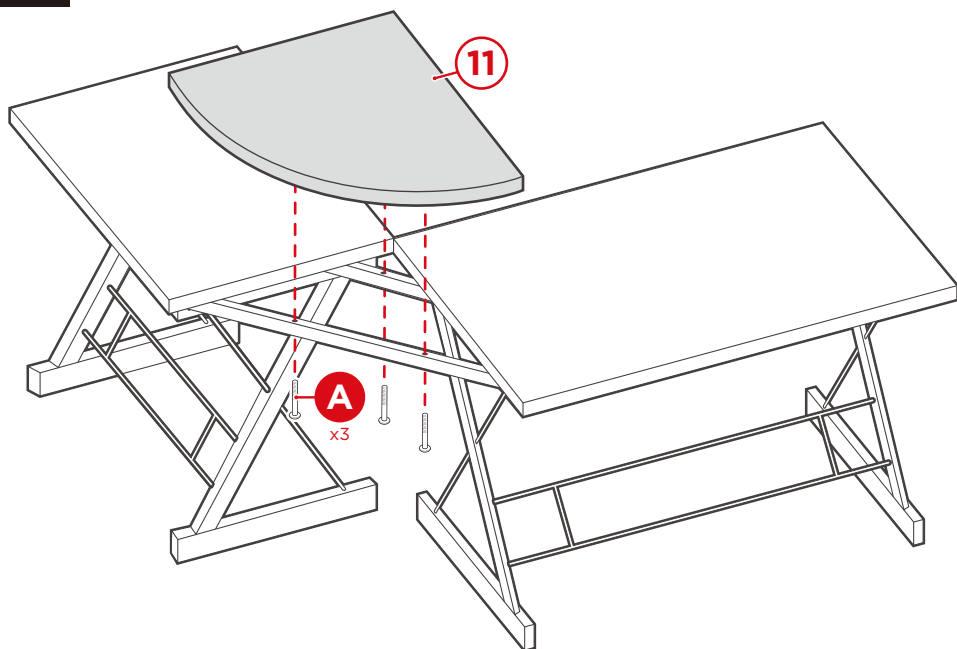
Attach the part 12 and 13 tabletops to the frame.



PRODUCT ASSEMBLY

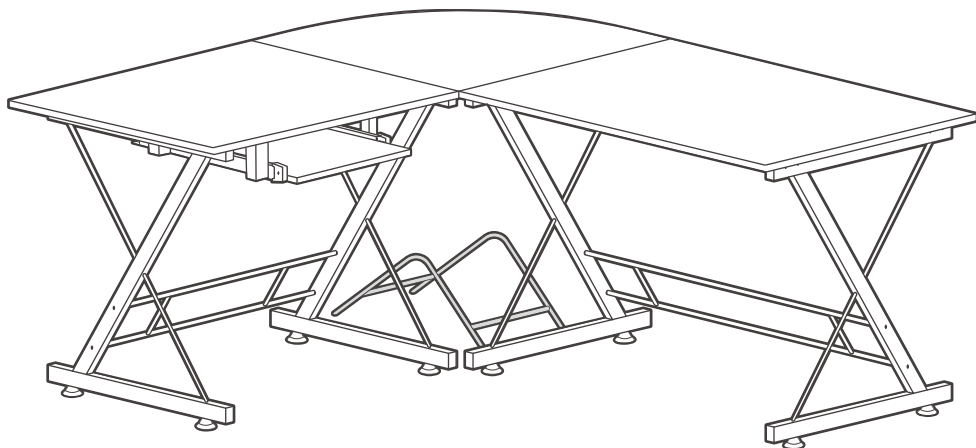
10

Attach part 11 tabletop to the frame.



11

Place the CPU stand according to your preference.





bestchoiceproducts

Check out more great products:

[bestchoiceproducts.com](https://www.bestchoiceproducts.com)

Earn points while you shop. Join today!

bestchoiceproducts
rewards

Join | Earn | Redeem

Give your friends 15% off their first order! For each successful referral you'll receive 100 points.

bestchoiceproducts.com



HELP CENTER



Question about your product? We're here to help. Visit us at:

help.bestchoiceproducts.com



Chat Support



Product Inquiry



Orders FAQ



Product Assembly



Returns & Refunds

PRODUCT WARRANTY INFORMATION

All items can be returned for any reason within 60 days of the receipt and will receive a full refund as long as the item is returned in its original product packaging and all accessories from its original shipment are included. All returned items will receive a full refund back to the original payment method. All returned items will not be charged a re-stocking fee.

All returned items require an RA (Return Authorization) number, which can only be provided by a Best Choice Products Customer Service Representative when the return request is submitted. Items received without an RA may not be accepted or may increase your return processing time. Once an item has been received by Best Choice Products, refunds or replacements will be processed within 5 business days.

All returns must be shipped back to the Best Choice Products Return Center at the customer's expense. If the reason for return is a result of an error by Best Choice Products then Best Choice Products will provide a pre-paid shipping label via email. Boxes for return shipping will not be provided by Best Choice Products, and is the customer's responsibility to either use the original shipping boxes or purchase new boxes.

Pictures may be required for some returns to ensure an item is not damaged prior to its return. Items returned are not considered undamaged until they are received by Best Choice Products and verified as such. All damages to items are the customer's responsibility until the item has been received by and acknowledge by Best Choice Products as undamaged.

WARNING

Manufacturer and seller expressly disclaim any and all liability for personal injury, property damage or loss, whether direct, indirect, or incidental, resulting from the incorrect attachment, improper use, inadequate maintenance, unapproved modification, or neglect of this product.