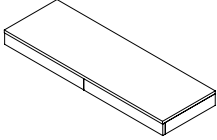
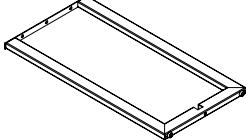
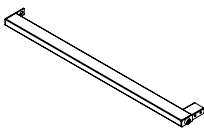
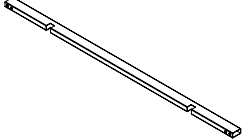
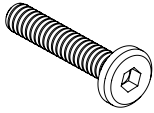
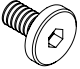
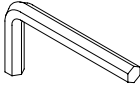
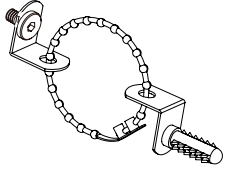
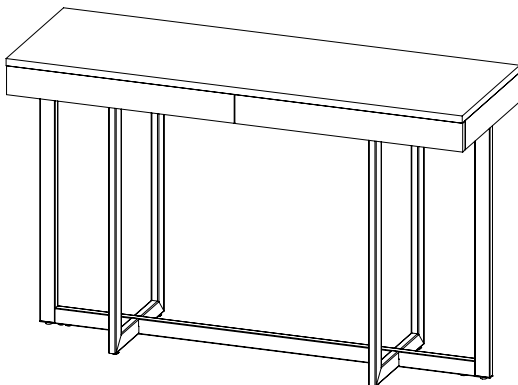


ASSEMBLY INSTRUCTION

SOFA TABLE WITH 2 DRAWERS

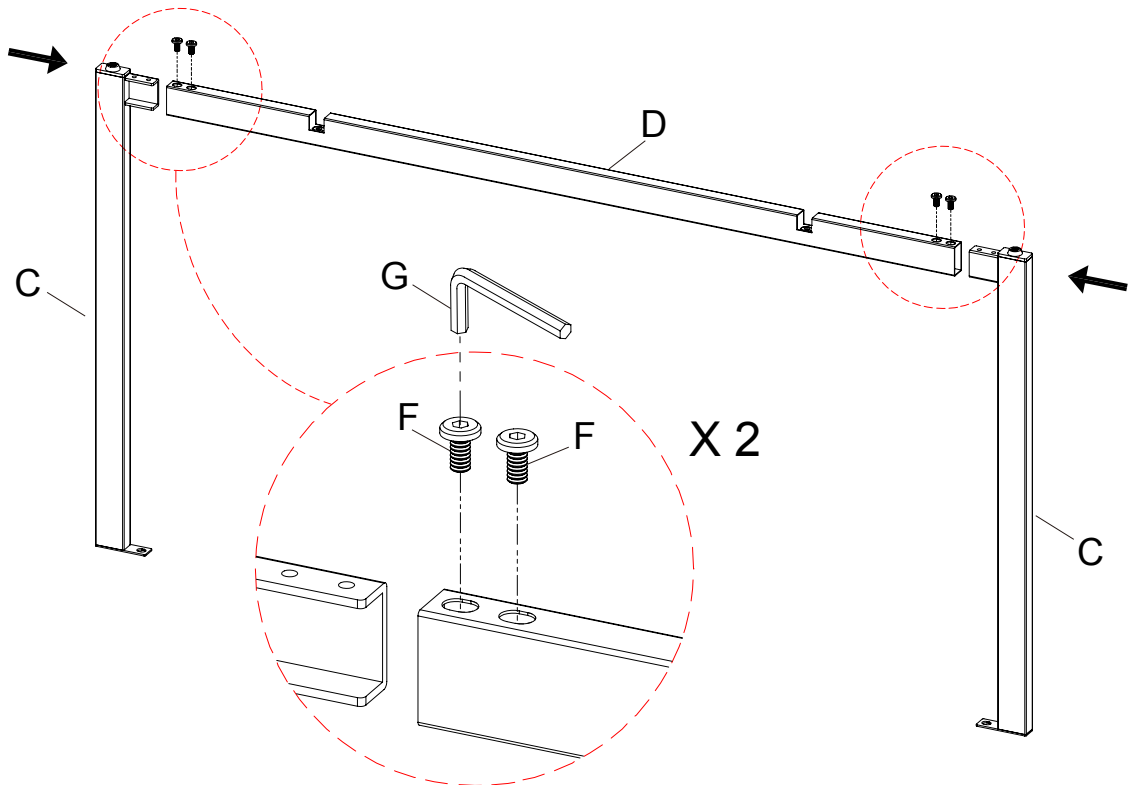
A Table Top  1PC	B Middle Table Base  2PCS	C Side Leg Post  2PCS	D Cross Bar  1PC
E Bolt 1/4"x1-1/4"xØ13  2PCS	F Bolt 1/4"x1/2"xØ13  14PCS	G Allen Wrench 4MM  1PC	H Anti-Tipping HW  2SETS



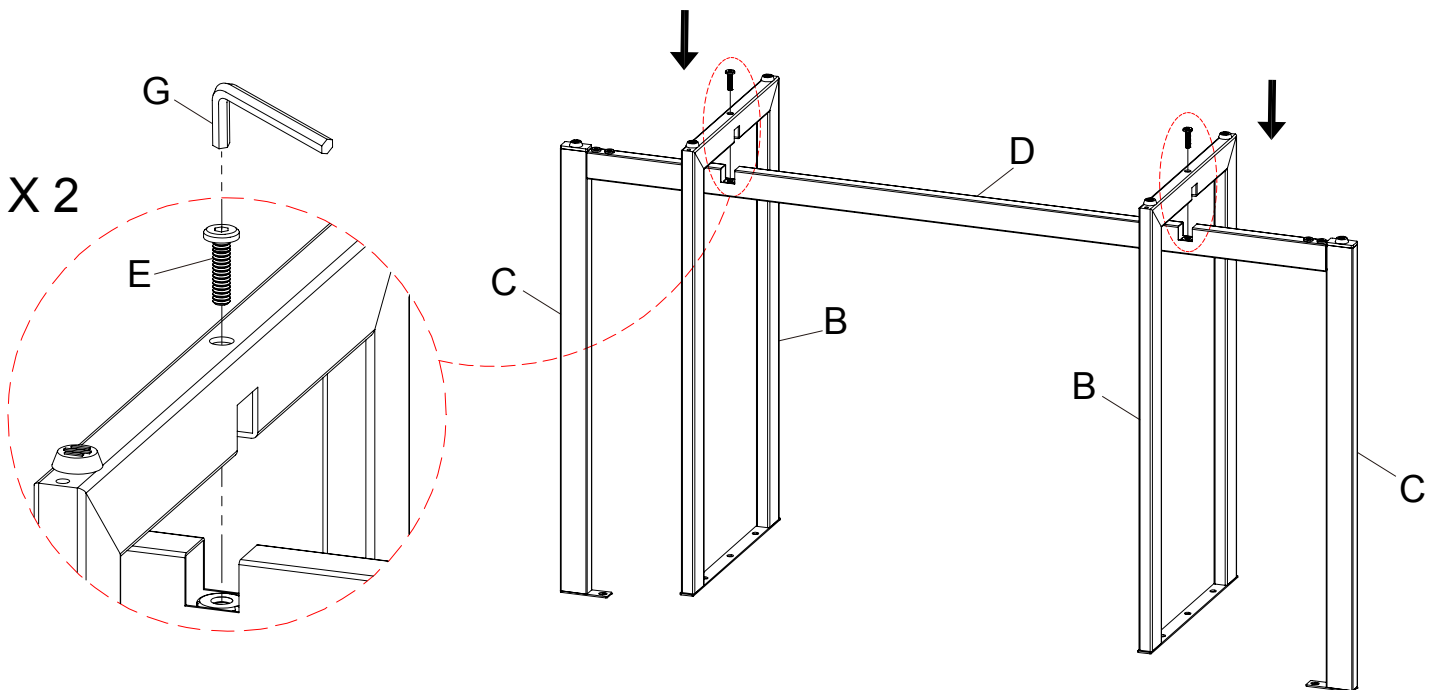
This page lists all the contents included in the box. Please take the time to identify the hardware as well as the individual components to this product. As you unpack and prepare for assembly, place the contents on a carpeted or padded area to protect them from damage.

***Do not tighten screws & bolts until the entire unit is completely assembled.

- 1** Assemble both Side Leg Post (C) to the Cross Bar (D), then using the Bolt (F) by Allen Wrench (G).

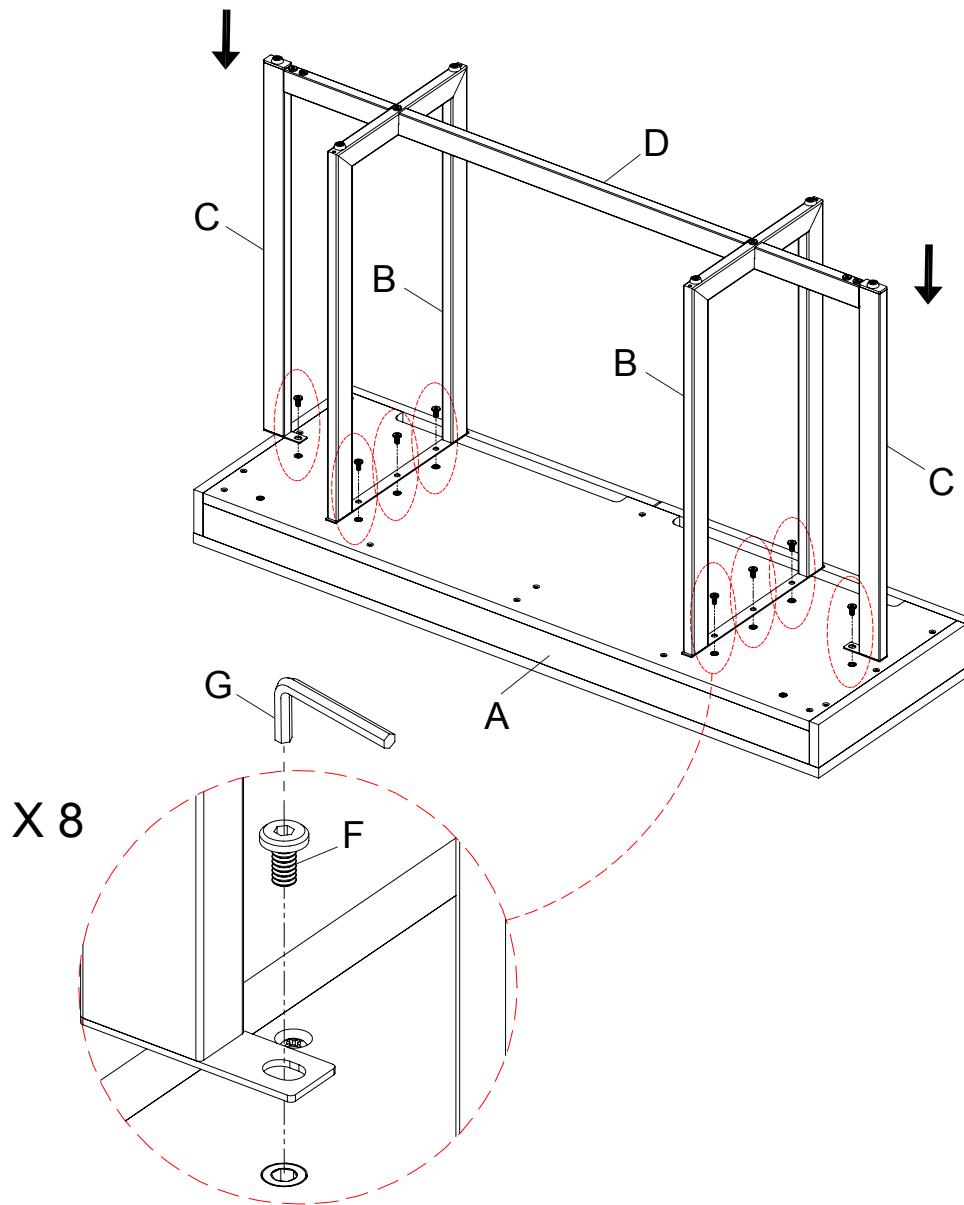


- 2** Attach both Middle Table Base (B) to the assembled Cross Bar (D) as bellow shown, then using the Bolt (E) by Allen Wrench (G).



***Do not tighten screws & bolts until the entire unit is completely assembled.

3 Attach the Table Top (A) to the Side Leg Post (C) and Middle Table Base (B) as bellow shown, then using the Bolt (F) by Allen Wrench (G).



***Do not tighten screws & bolts until the entire unit is completely assembled.

4

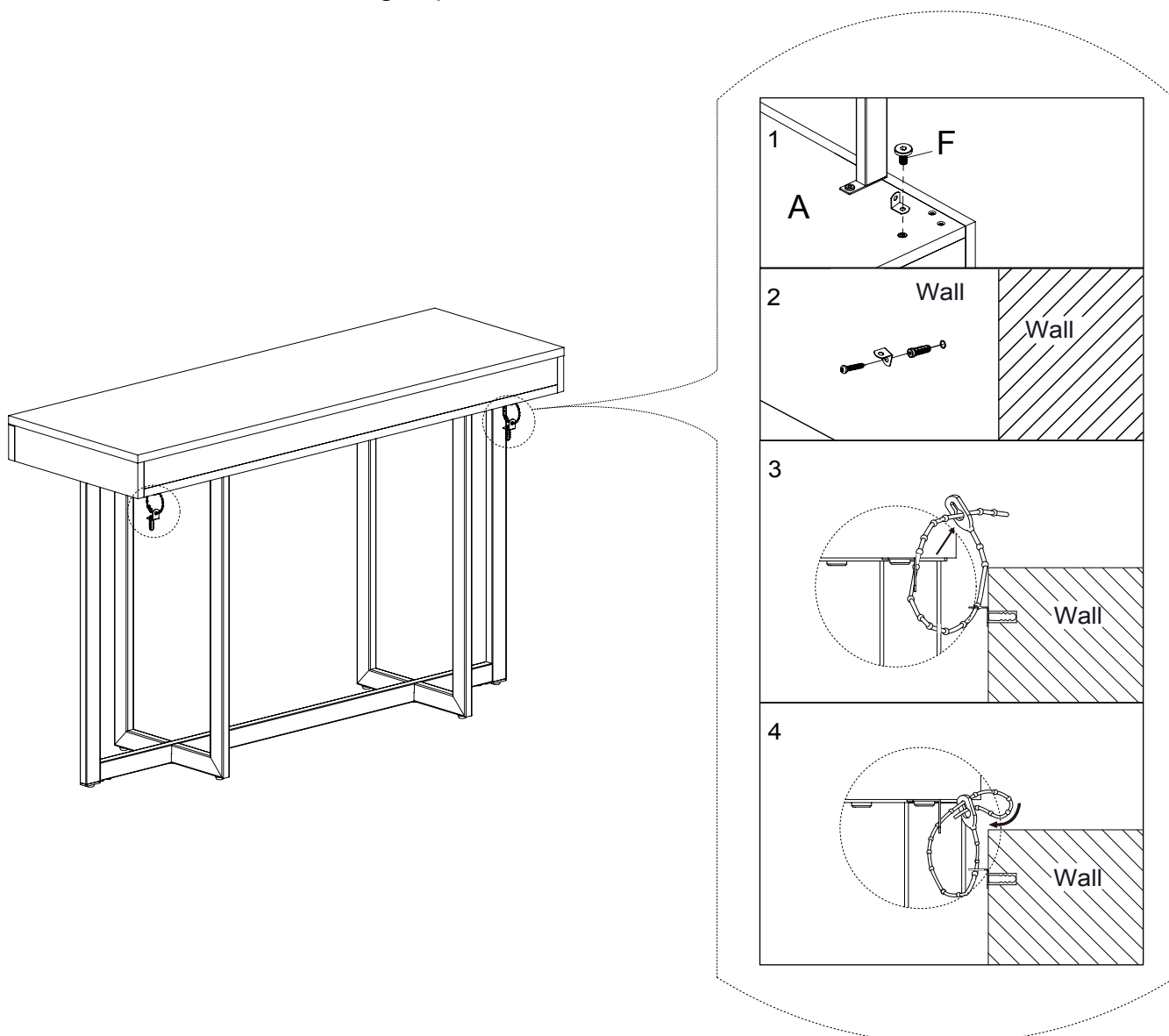
*NOTE: WE RECOMMEND THAT YOU ATTACH THE PRODUCT TO YOUR WALL AS A SAFETY PRECAUTION USING ANTI-TIPPING HW (H) AS BELOW INSTRUCTION.

Attach Mounting Plate to the Table Top (A) by using the Bolt (F), make sure the Mounting Plate extend DOWNWARD.

Drill 2 holes in your wall approximately 2" (Inches) BELOW the corresponding positions of Mounting Plate and insert Wall Anchor as shown.

*NOTE: You may need to tap LIGHTLY with a rubber mallet.

Now connect the corresponding Mounting Plate with Connection Strap and tighten as described before locking in place.



Cleaning & Care

Treat surface with care. Surface is resistant to scratches but is not scratch resistant. Clean surfaces with a dry or damp soft cloth. Do not use abrasive cleaners. Hardware may loosen over time. Periodically check that all connections are tight.