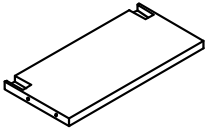


ASSEMBLY INSTRUCTION

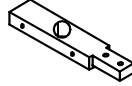
HEADBOARD

A Headboard



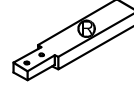
1pc

B Left Post



1pc

C Right Post



1pc

D Left Side Panel



1pc

E Right Side Panel



1pc

F Bolt
M8x50mm



12pcs

G Lock Washer
M8x2mm



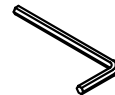
12pcs

H Flat Washer
M8x22mm

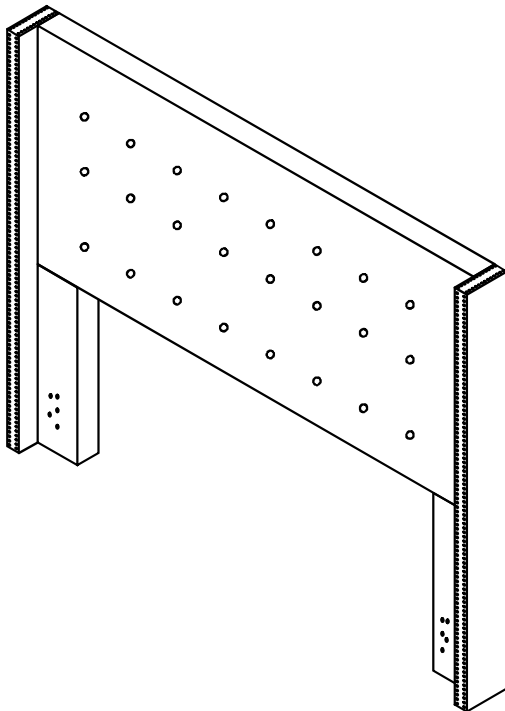


12pcs

I Allen Key
5mm



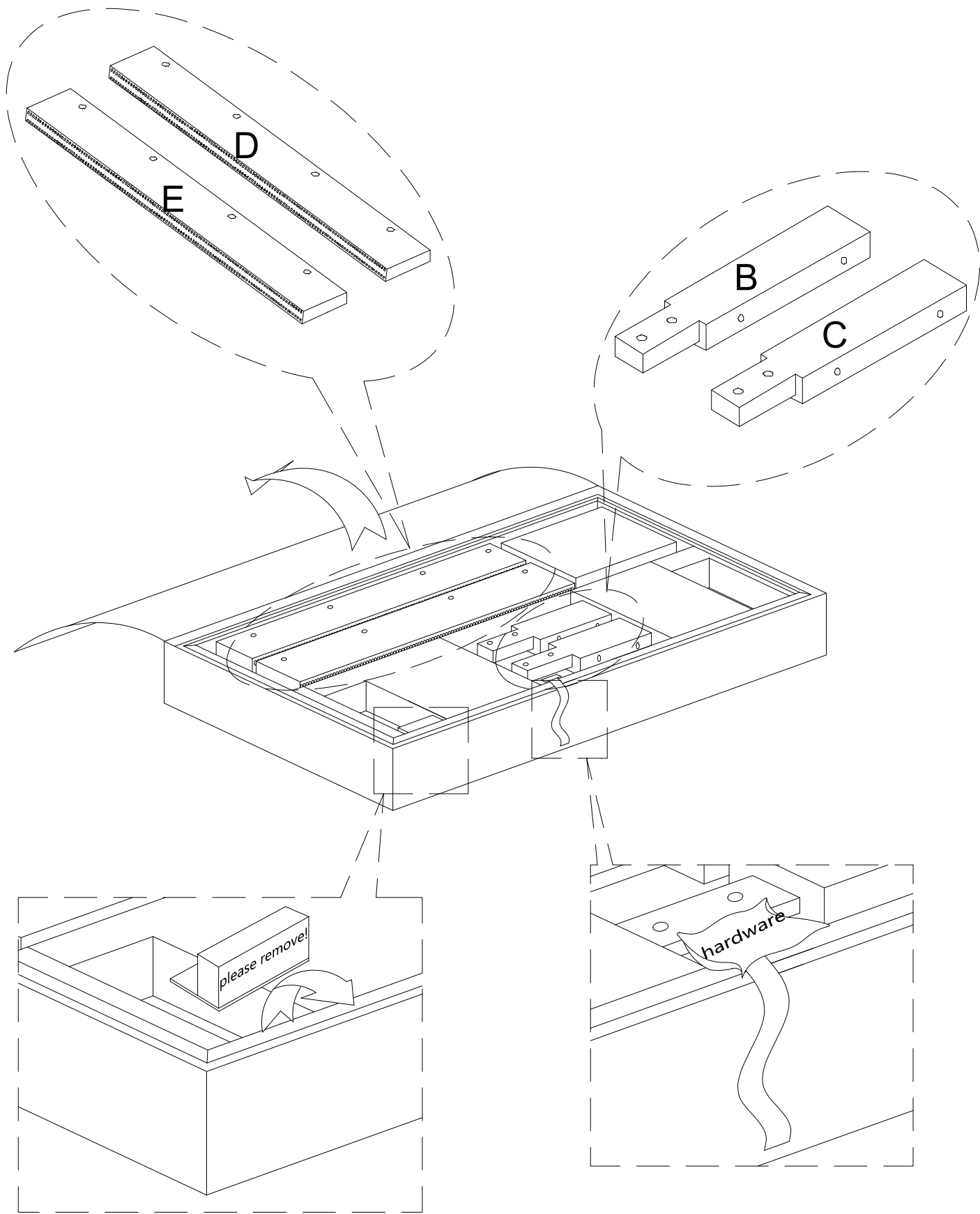
1pc



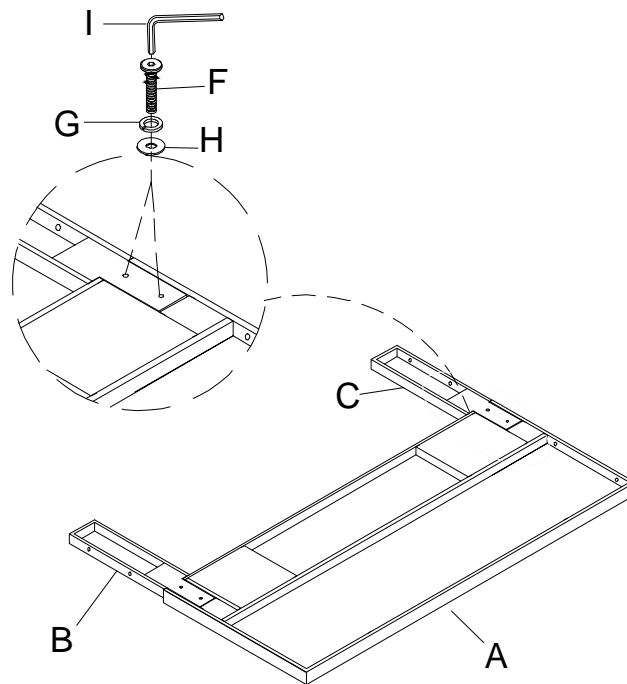
This page lists all the contents included in the box. Please take the time to identify the hardware as well as the individual components to this product. As you unpack and prepare for assembly, place the contents on a carpeted or padded area to protect them from damage.

Hardware package with white sticker is for customers using a bolt-on metal bed frame.

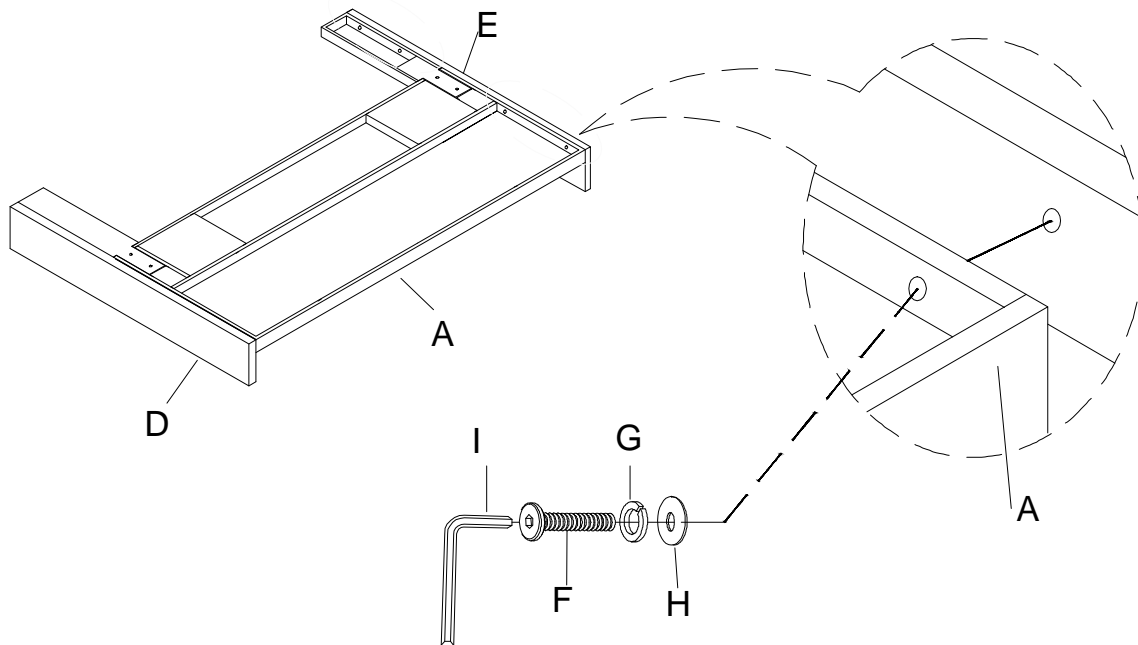
1 Take out the Left Post (B), Right Post (C), Left Side Panel (D), Right Side Panel (E), Hardware bag and the wood block from the Headboard (A).



- 2** Attach Left Post (B) & Right Post (C) to Headboard (A), using Flat Washer (H), Lock Washer (G), Bolt (F) by Allen Key (I).



- 3** Attach Left Side Panel (D) & Right Side Panel (E) to Headboard (A) using Flat Washer (H), Lock Washer (G), Bolt (F) by Allen Key (I).



Cleaning & Care

Treat surface with care. Surface is resistant to scratches but is not scratch resistant. Clean surfaces with a dry or damp soft cloth. Do not use abrasive cleaners. Hardware may loosen over time. Periodically check that all connections are tight.

ASSEMBLY INSTRUCTION

1. This Assembly instruction is for customers using a bolt-on metal bed frame on headboard only.
2. Please refer to hardware package with white sticker when using this Assembly Instruction.
3. Full/Queen/King Headboard need to use the other Assembly Instruction in the carton to assemble the headboard first, then use this one.
4. Twin Headboard is fully assembled, customers only refer to this Assembly Instruction to assemble with your own mattress frame.

HEADBOARD ONLY-SCREW

A Bolt
M8x35mm



6pcs

B Flat Washer
M8x19mm



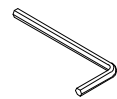
6pcs

C Lock Washer
M8x2mm



6pcs

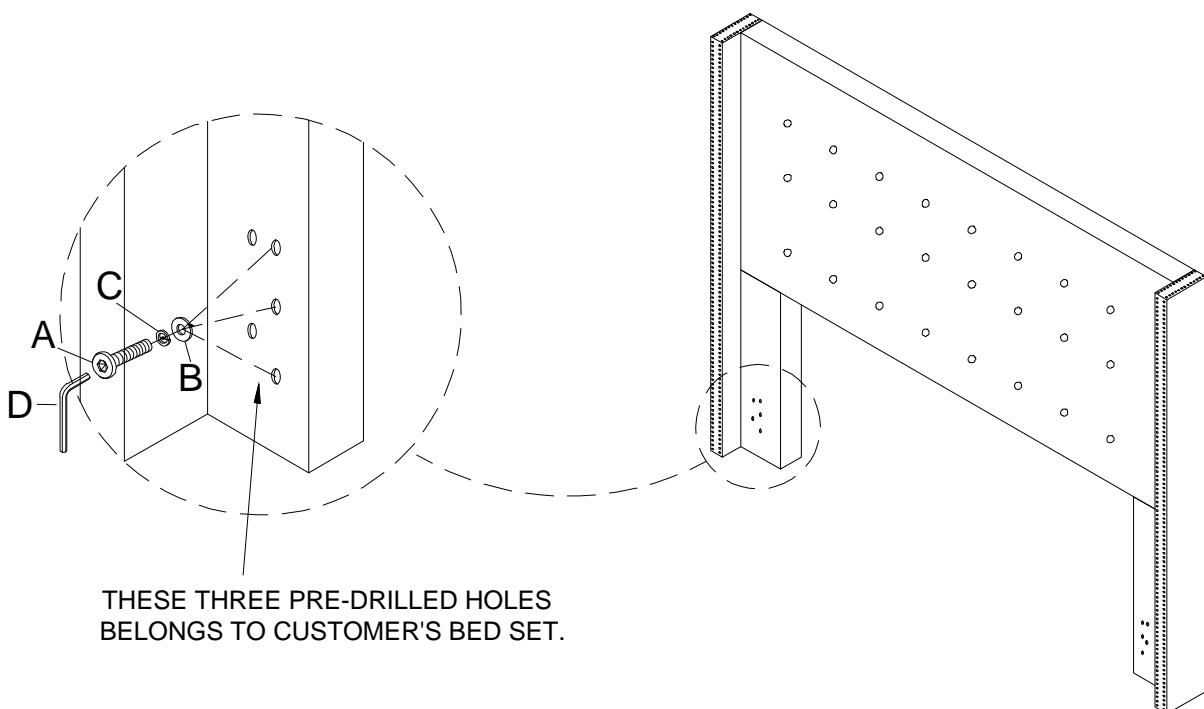
D Allen Key
5mm



1pc

Assembly diagram below for attaching bolt-on metal bed frame to headboard only.

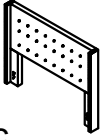
- 1 Attach mattress frame to the headboard using Bolt (A), Lock Washer (C), Flat Washer (B), then tighten by Allen Key (D).



ASSEMBLY INSTRUCTION

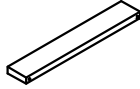
FULL / QUEEN BED

A Headboard
(in other carton)



1pc

B Footboard



1pc

C Side Rails



2pcs

D Slat



4pcs

E Support Leg



4pcs

F Leg



2pcs

G Bolt
M8x60mm



2pcs

H Bolt
M8x30mm



8pcs

I Lock Washer
M8x2mm



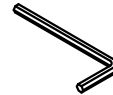
10pcs

J Flat Washer
M8x19x1.0mm



10pcs

K Allen Key
M5



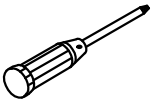
1pc

L Screw
M4x30mm

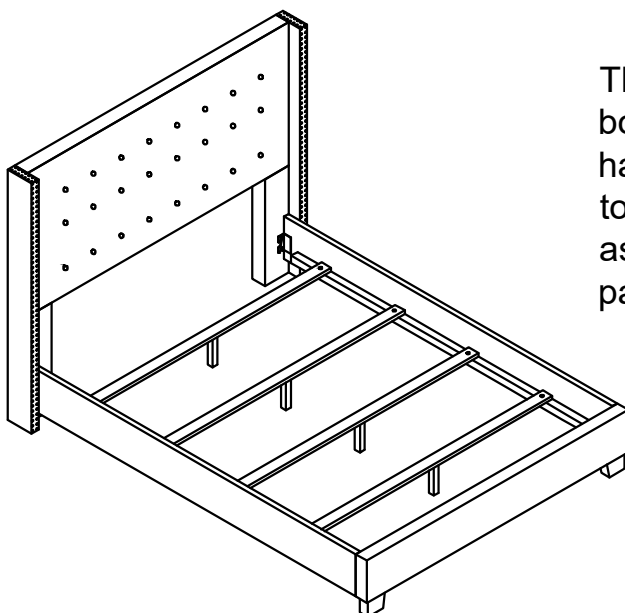


8pcs

M Screwdriver
(Not Provided)

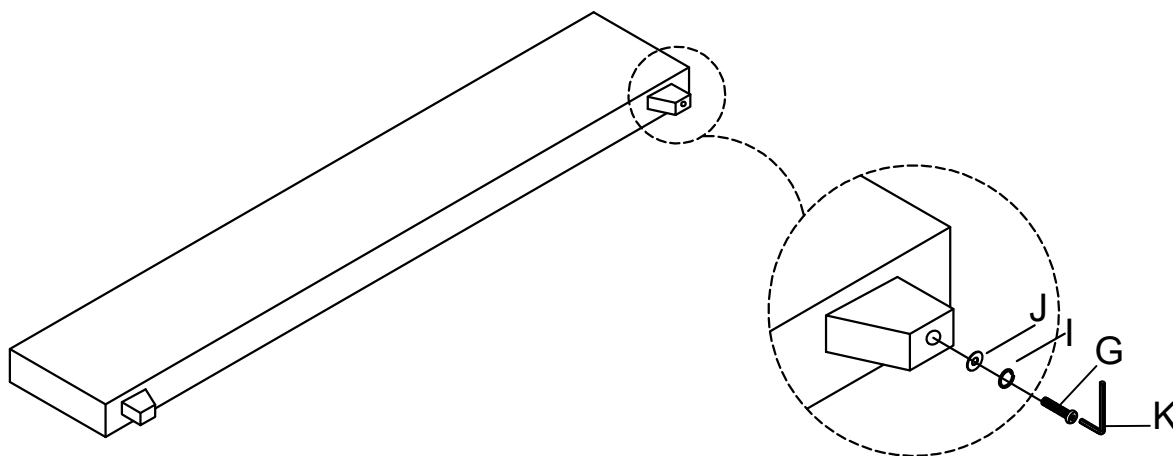


1pc

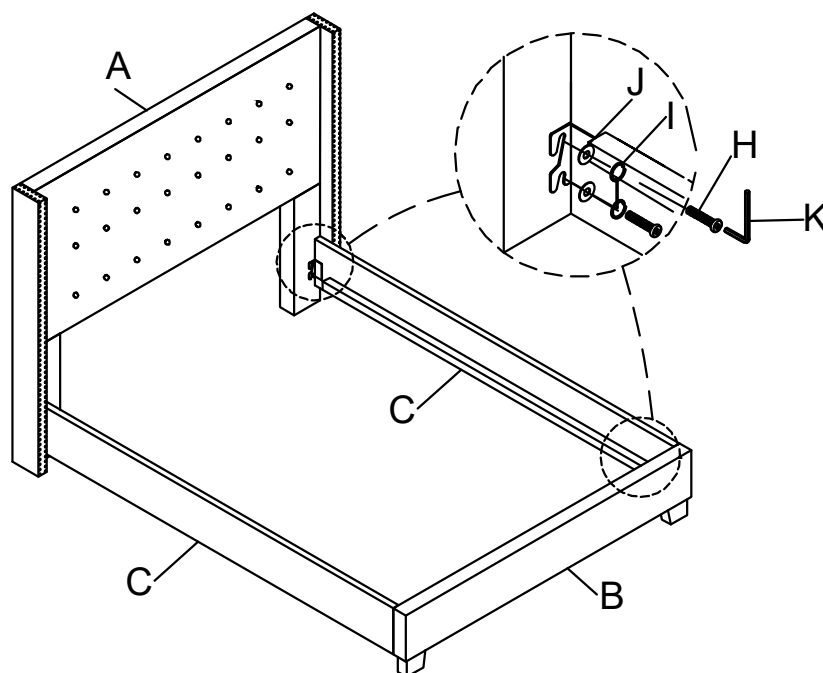


This page lists all the contents included in the box. Please take the time to identify the hardware as well as the individual components to this product. As you unpack and prepare for assembly, place the contents on a carpeted or padded area to protect them from damage.

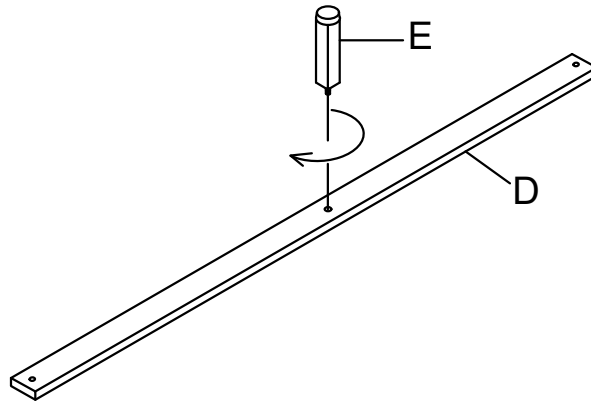
- 1** Attach Leg (F) to the Footboard (B) by using Bolt (G), Lock Washer (I), Flat Washer (J), then tighten with Allen Key (K).



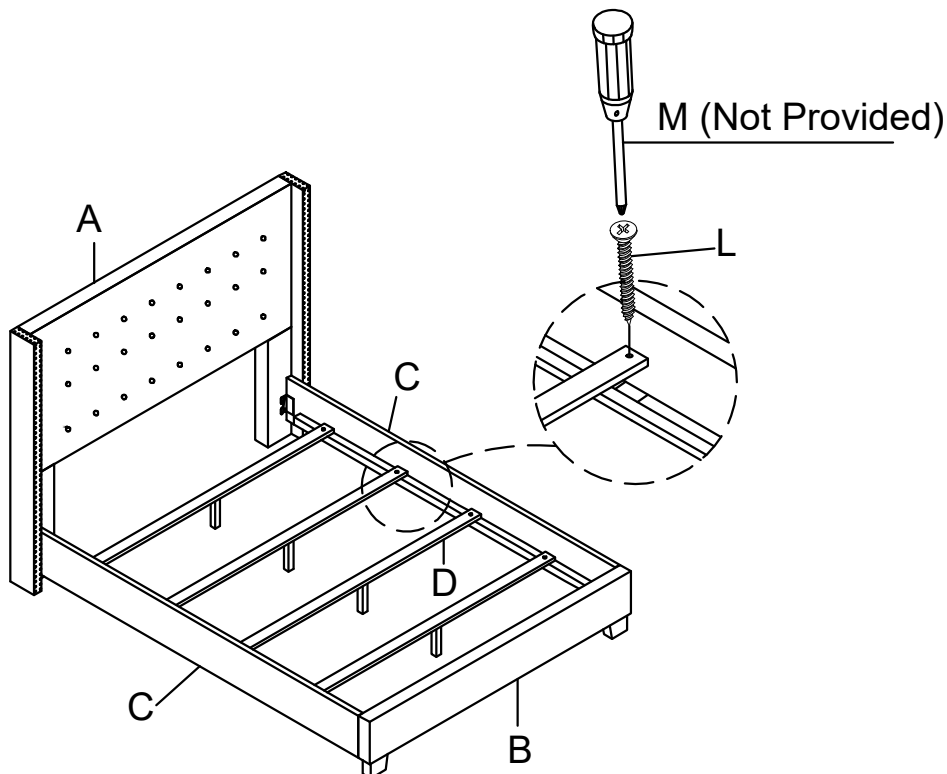
- 2** Attach the Side Rails (C) to Headboard (A) & Footboard (B) using Bolt (H), Lock Washer (I) and Flat Washer (J), then tighten with Allen Key (K).



3 Attach Support Leg (E) to Slat (D), then rotate tightly.



4 Then attach Slat (D) to Side Rails (C) with Screw (L) by Screwdriver (M).



Cleaning & Care

Treat surface with care. Surface is resistant to scratches but is not scratch resistant. Clean surfaces with a dry or damp soft cloth. Do not use abrasive cleaners. Hardware may loosen over time. Periodically check that all connections are tight.