

Assembly Instructions



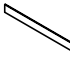
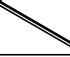

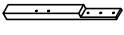


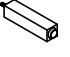

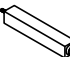
B1605-110 LISBON 6/6-6/0 EK/WK HEADBOARD
B1605-120 LISBON 6/6-6/0 EK/WK STORAGE FOOTBOARD AND SLATS
B1605-330 LISBON 5/0-6/6 Q/EK RAILS

Thank you for purchasing this quality product. Be sure to check all packing materials carefully for small parts, which may have come loose inside the carton during shipment. Identify and count all items and compare with the PARTS LIST and/or HARDWARE LIST shown below.







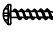



Caution: Please read the instructions thoroughly before assembly.

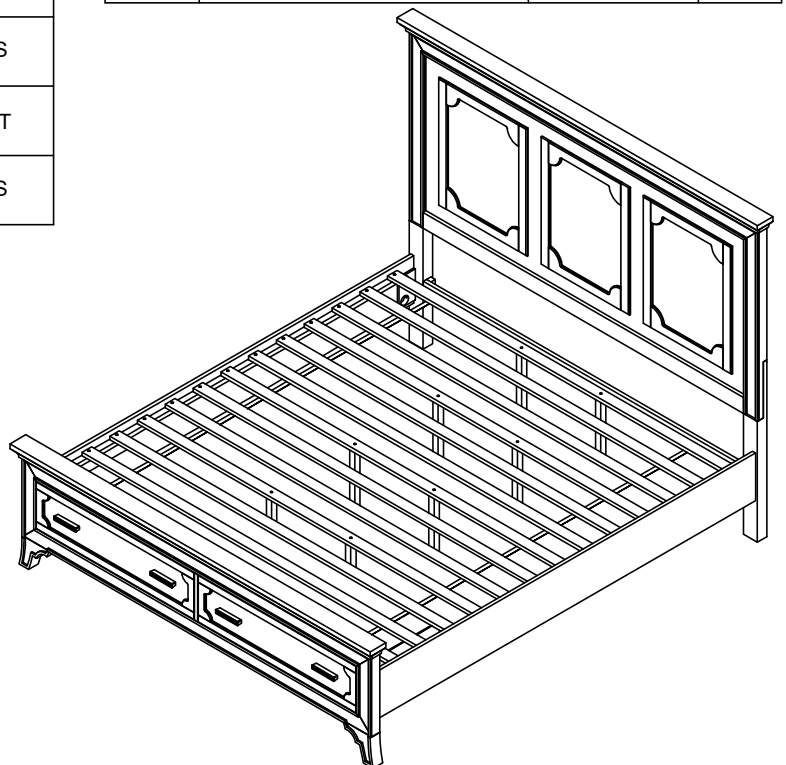
1. We recommend that you assemble this product with the assistance of another person: this will make the assembly easier, and will help eliminate damage to the product or injury to persons during assembly.
2. Please do not over tighten screws or bolts until the assembly is completed.
3. Please put all parts on a non-abrasive floor before assembly, and follow the assembly steps to assemble your newly purchased product correctly and efficiently

PARTS LIST

NO:	COMPONENT	SKETCH	Q'TY
A	Headboard		1PC
B	Footboard		1PC
C	Side Rail		2PCS
D	Headboard Crossbar		1PC
E	Left Side Facing (LSF) HB Leg		1PC
F	Right Side Facing (RSF) HB Leg		1PC
G	Left Side Facing (LSF) FB Leg		1PC
H	Right Side Facing (RSF) FB Leg		1PC
I	Footboard Support Legs		3PCS
J	Slats		1 SET
K	Support Legs		8PCS

HARDWARE LIST

NO:	COMPONENT	SKETCH	Q'TY
1	Bolt 5/16" x 1-3/4"		8pcs
2	Bolt 5/16" x 3-1/2"		8pcs
3	Flat Washer 5/16" x 3/4"		10pcs
4	Lock Washer 5/16"		18pcs
5	Half Moon Washer 5/16"		8pcs
6	Nut (5/16")		8pcs
7	Screw: #8*1-1/4"		26pcs
8	Allen key		1pc
9	Open Wrench 5/16"		1pc
10	Bolt 5/16" x 2-1/4"		2pcs





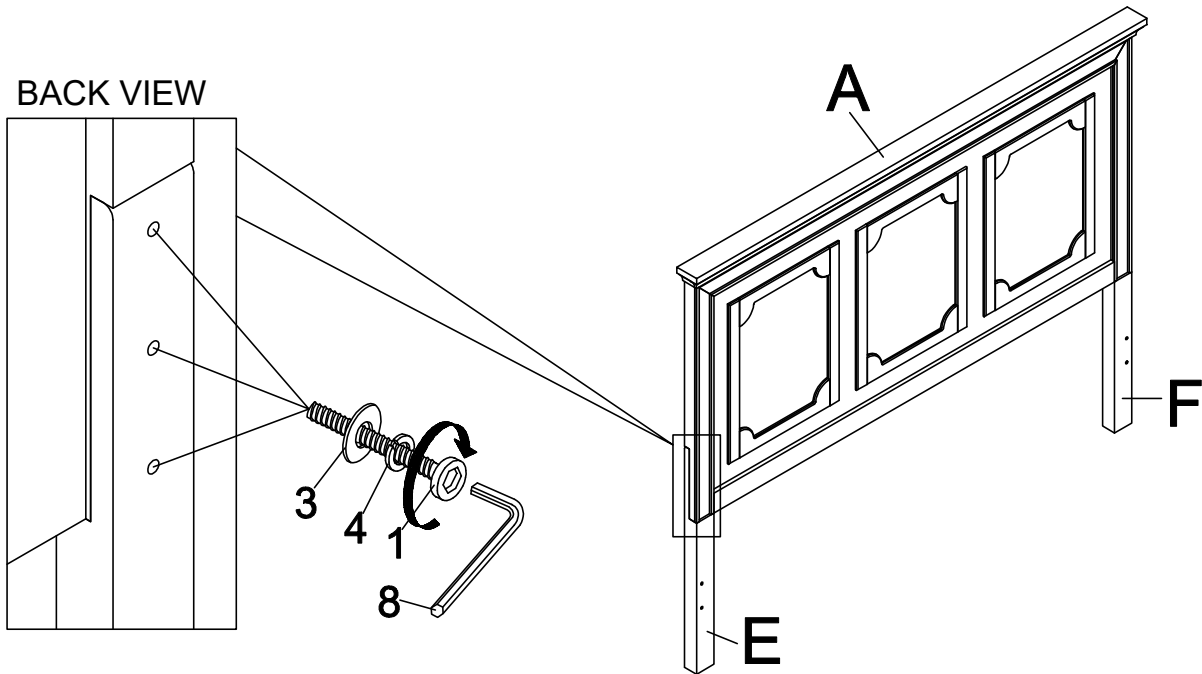
New
Classic®
FURNITURE

Assembly Instructions

B1605-110 LISBON 6/6-6/0 EK/WK HEADBOARD
B1605-120 LISBON 6/6-6/0 EK/WK STORAGE FOOTBOARD AND SLATS
B1605-330 LISBON 5/0-6/6 Q/EK RAILS

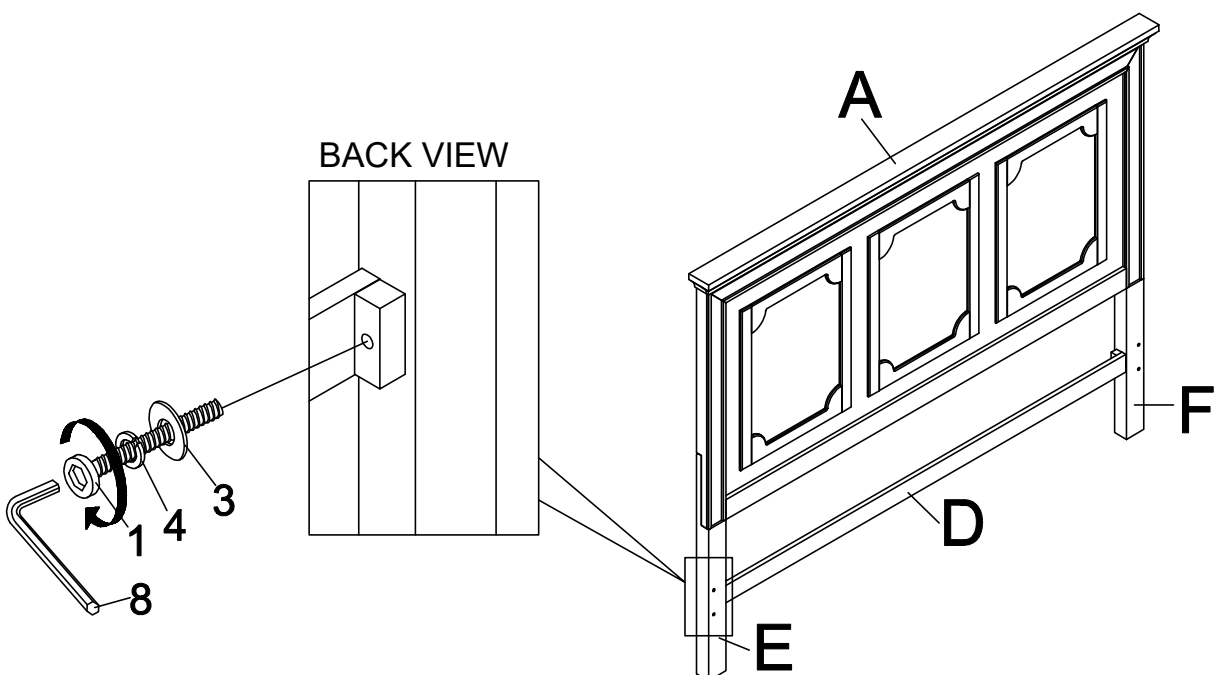
STEP 1

Assemble LSF HB Leg (E) and RSF HB Leg (F) to Headboard (A) by using Allen Key (8) with hardware 1,3, and 4.
Attn: DO NOT TIGHEN THE BOLTS



STEP 2

Assemble Headboard Crossbar (D) to HB legs (E) and (F) by using Allen Key (8) with hardware 1, 3, and 4.



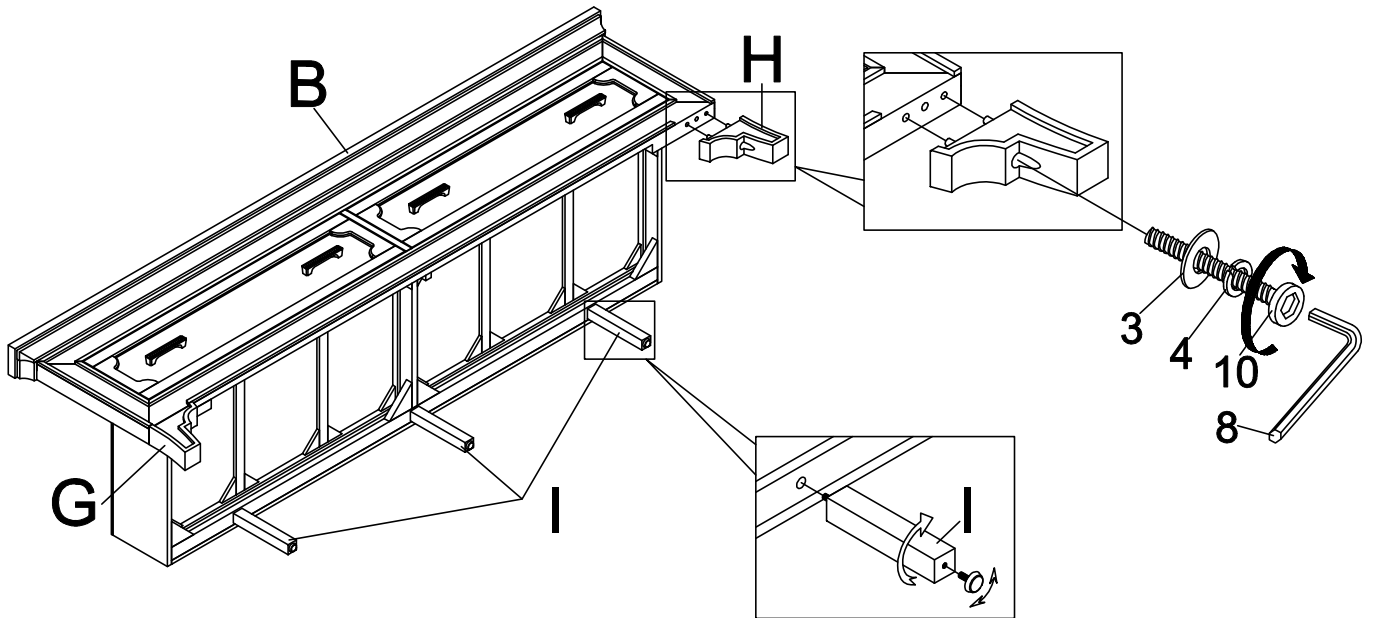


Assembly Instructions

B1605-110 LISBON 6/6-6/0 EK/WK HEADBOARD
B1605-120 LISBON 6/6-6/0 EK/WK STORAGE FOOTBOARD AND SLATS
B1605-330 LISBON 5/0-6/6 Q/EK RAILS

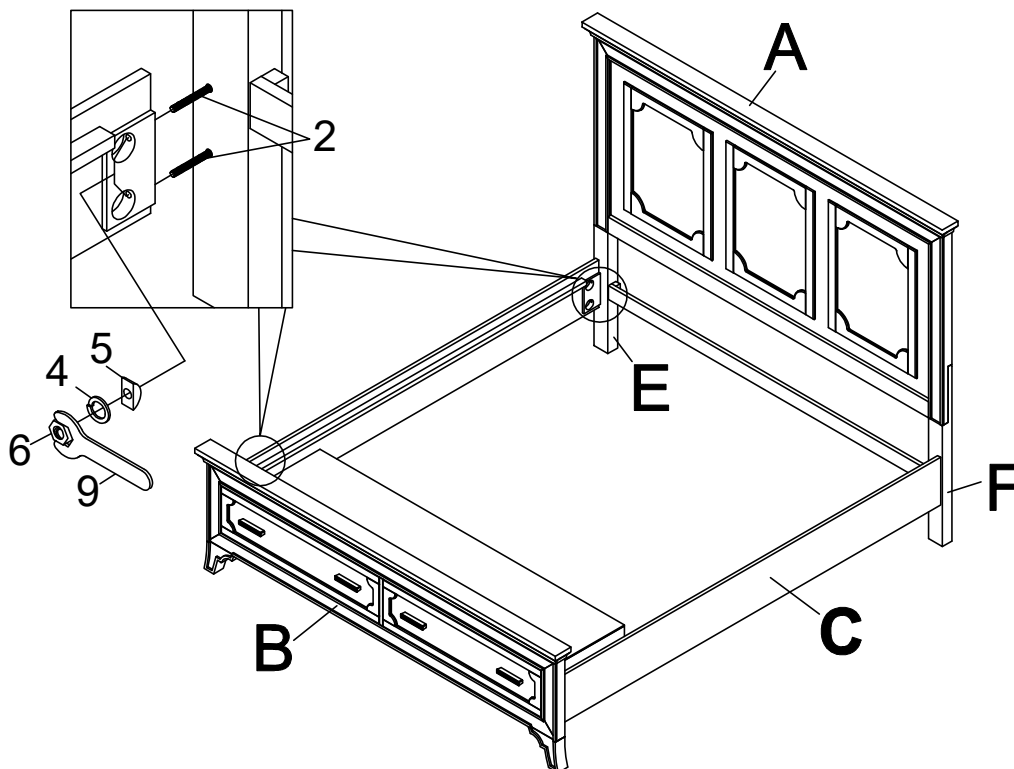
STEP 3

Install all Footboard support legs (I) by twisting them on the Footboard (B). Then adjust the leveler on the support legs (I) to level with the floor. Assemble LSF FB Leg (G) and RSF FB Leg (H) to Footboard (B) by using Allen Key (8) with hardware 3, 4, and 10.



STEP 4

Assemble side rails (C) to HB legs (E & F) and Footboard (B) by using open wrench (9) with hardware 2, 4, 5, and 6.





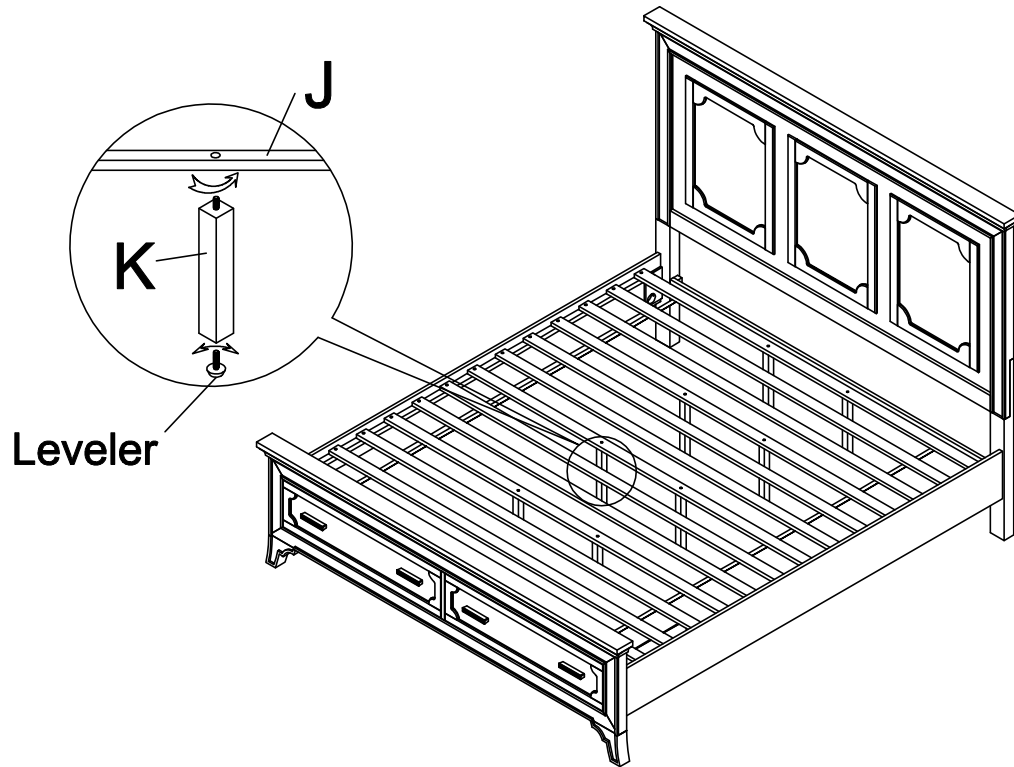
New
Classic®
FURNITURE

Assembly Instructions

B1605-110 LISBON 6/6-6/0 EK/WK HEADBOARD
B1605-120 LISBON 6/6-6/0 EK/WK STORAGE FOOTBOARD AND SLATS
B1605-330 LISBON 5/0-6/6 Q/EK RAILS

STEP 5

Install all support legs (K) by twisting them on the slats (J). Then adjust the leveler on the support legs (K) to level with the floor.



STEP 6

Assemble all slats (J) to the side rails (C) by using a screw drive with hardware 7.

