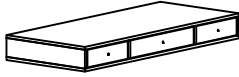


ASSEMBLY INSTRUCTION

WRITING DESK

A Desk Top



1 PC

B Rail



1 PC

C Leg



4 PCS

D Bolt
1/4" x 5/8"



16 PCS

E Spring Washer
1/4"



16 PCS

F Flat Washer
1/4"

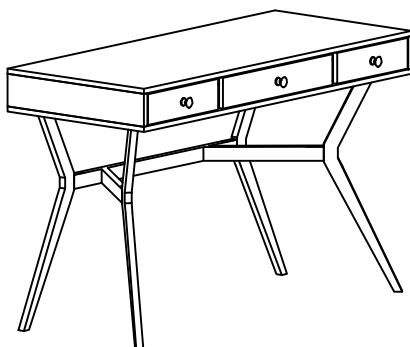


16 PCS

G Allen Key
M4



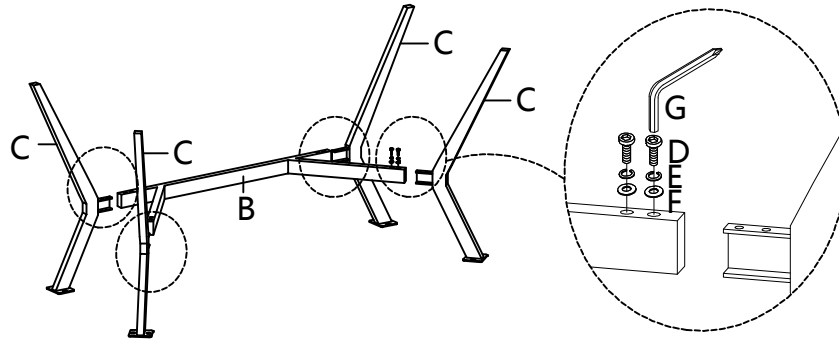
1 PC



This page lists all the contents included in the box. Please take the time to identify the hardware as well as the individual components to this product. As you unpack and prepare for assembly, place the contents on a carpeted or padded area to protect them from damage.

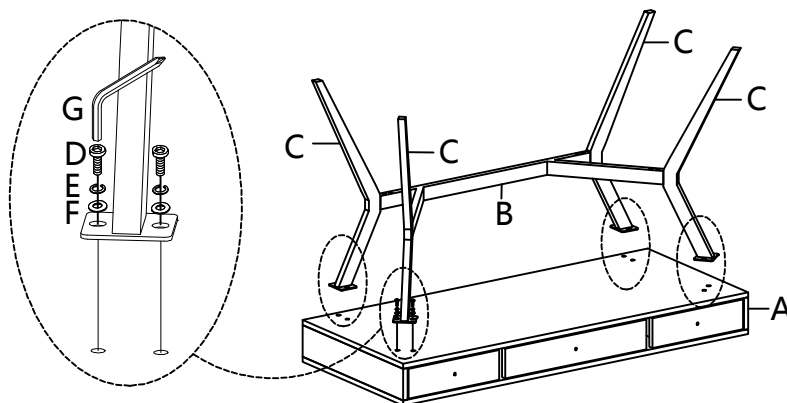
-
- 1** Attach Rail (B) and Leg (C) using Bolt (D), Spring Washer (E) and Flat Washer (F) with Allen Key (G).

Note: Do not fully tighten the bolts at this step.

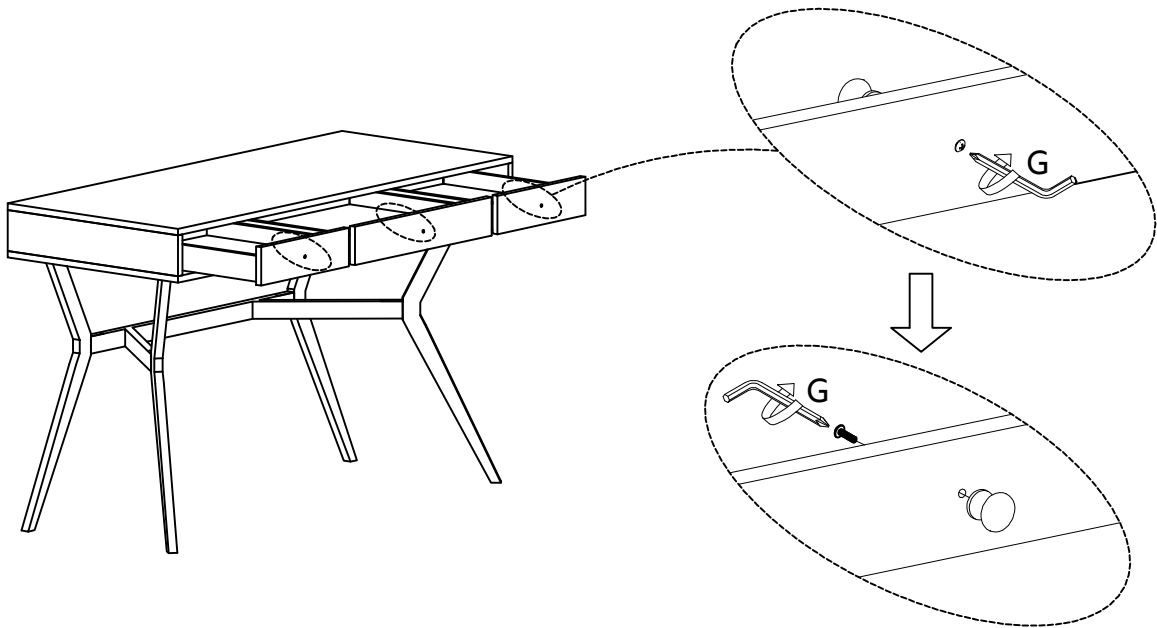


-
- 2** Attach the assembled metal base to the bottom of Desk Top (A) using Bolt (D), Spring Washer (E) and Flat Washer (F) with Allen Key (G).

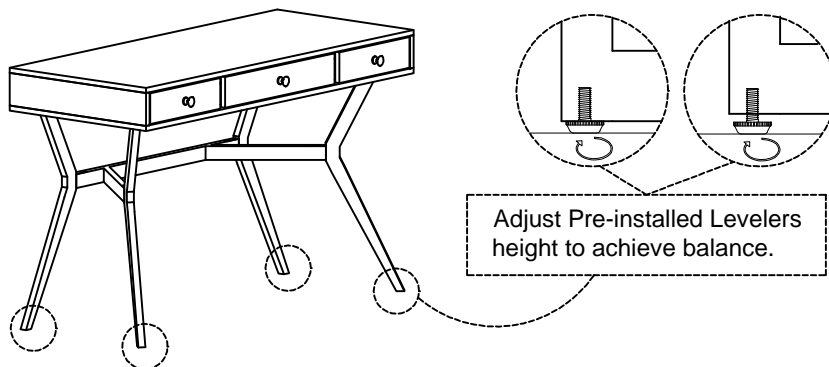
Note: Fully tighten all bolts at this step.



- 3** With assistance from your adult partners, turn the Desk right way up. Unscrew the knob from inside of the drawer and lock on the drawer front by Allen Key (G).



- 4** Adjust the Pre-installed Levelers on the bottom of Leg (C) until the Desk is level with the ground.



Cleaning & Care

Treat surfaces with care. Surfaces are resistant to scratches but are not scratch resistant. Clean surfaces with a dry or damp soft cloth. Do not use abrasive cleaners. Hardware may loosen over time. Periodically check that all connections are tight.