
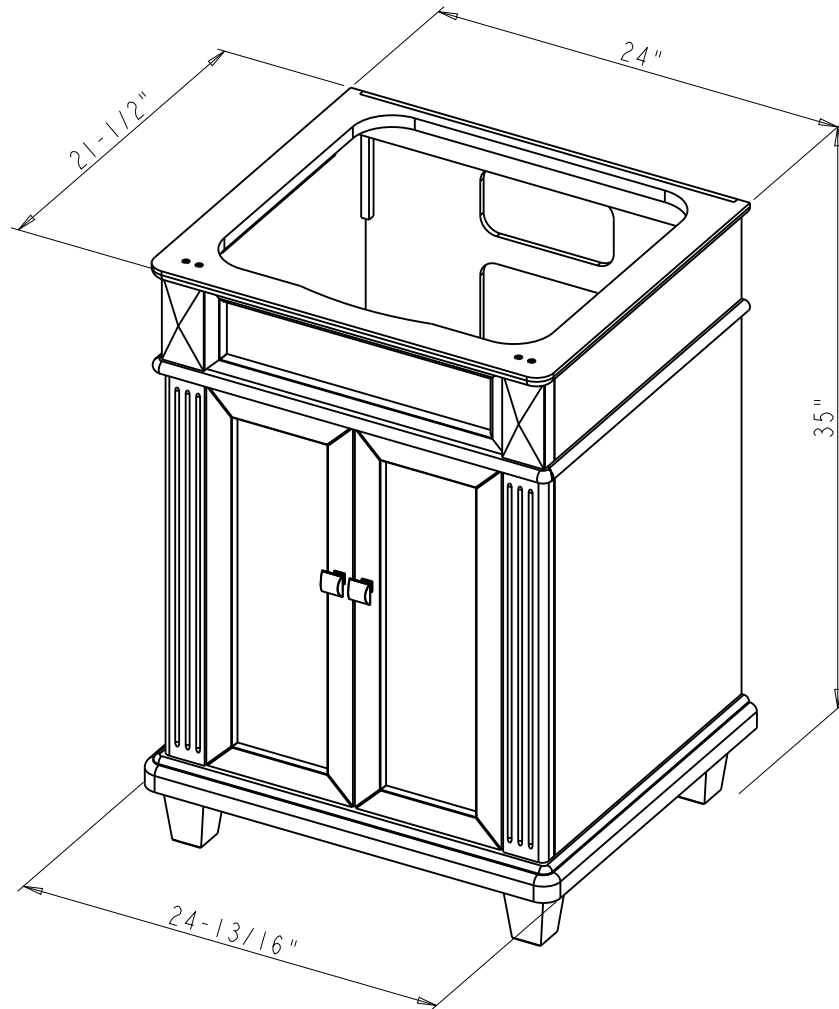



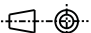
Specification:

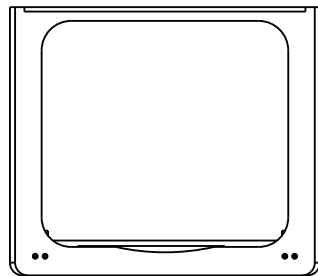
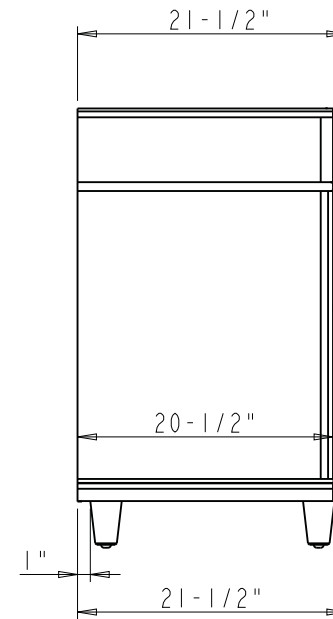
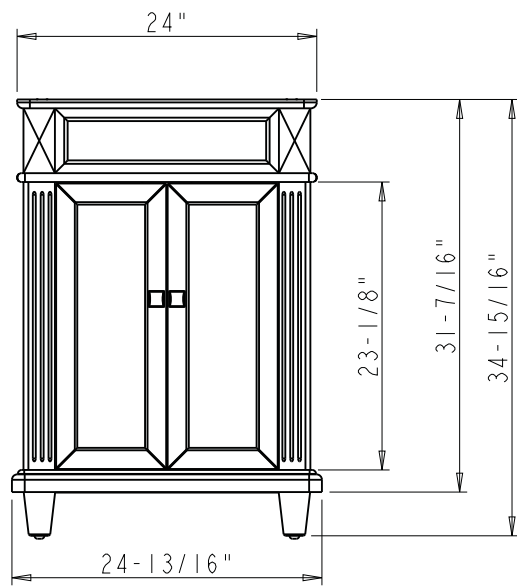
1. Material: MDF
2. Finish: See Table
3. Hardware: See Table
4. Hinge: 700.0536.25/600.3458.65 (4 set)
5. The tolerance is +/- 1/8"


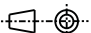
Item number	Finish	Deco Hardware	
		Item number	Qty
VN2DOU-24-BK-NT	Black	944SN	2
VN2DOU-24-BL-NT	Blue	944SBZ	2
VN2DOU-24-WH-NT	White	944MB	2

 PROPRIETARY AND CONFIDENTIAL THE INFORMATION CONTAINED IN THIS DRAWING IS THE SOLE PROPERTY OF HARDWARE RESOURCES INC. ANY REPRODUCTION IN PART OR AS A WHOLE WITHOUT THE WRITTEN PERMISSION OF HARDWARE RESOURCES INC. IS PROHIBITED.	ITEM#: VN2DOU-24	MATERIAL:
	FINISH:	WEIGHT: 9
	TOLERANCE UNLESS OTHERWISE SPECIFIED: X ±0.20 X.X ±0.10 X.XX ±0.05 ANGULAR: ±0.5°	UNITS: DRAWN BY: <i>Hugo.cai</i> DATE: Mar-11-20
	DO NOT SCALE DRAWING	APPROVED BY: RELEASE LEVEL: DATE: REVISION:



	ITEM#: VN2DOU - 24		MATERIAL:	
	FINISH:		WEIGHT: 9	
<p>PROPRIETARY AND CONFIDENTIAL</p> <p>THE INFORMATION CONTAINED IN THIS DRAWING IS THE SOLE PROPERTY OF HARDWARE RESOURCES INC. ANY REPRODUCTION IN PART OR AS A WHOLE WITHOUT THE WRITTEN PERMISSION OF HARDWARE RESOURCES INC. IS PROHIBITED.</p> <p>DO NOT SCALE DRAWING</p>	PROJECTION 		DATE: Mar - 11 - 20	
	TOLERANCE UNLESS OTHERWISE SPECIFIED:	UNITS:	DRAWN BY:	DATE:
	X ±0.20		<i>Hugo.cai</i>	Mar - 11 - 20
	X.X ±0.10	SIZE:	APPROVED BY:	DATE:
X.XX ±0.05	SHEET:	RELEASE LEVEL:	REVISION:	
ANGULAR: ±0.5°				



 PROPRIETARY AND CONFIDENTIAL THE INFORMATION CONTAINED IN THIS DRAWING IS THE SOLE PROPERTY OF HARDWARE RESOURCES INC. ANY REPRODUCTION IN PART OR AS A WHOLE WITHOUT THE WRITTEN PERMISSION OF HARDWARE RESOURCES INC. IS PROHIBITED.	ITEM:	VN2DOU-24		MATERIAL:
	FINISH:			WEIGHT:
				9
				PROJECTION 
	TOLERANCE UNLESS OTHERWISE SPECIFIED:	UNITS:	DRAWN BY:	DATE:
	X ±0.20		<i>Hugo.cai</i>	Mar-11-20
	X.X ±0.10	SIZE:	APPROVED BY:	DATE:
	X.XX ±0.05	SHEET:	RELEASE LEVEL:	REVISION:
	ANGULAR: ±0.5°			
	DO NOT SCALE DRAWING			