

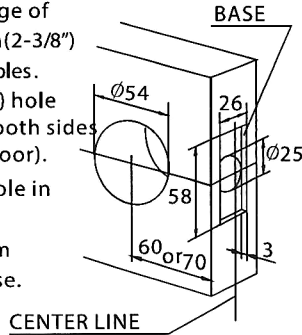


# Regent Deadbolt Installation Instructions

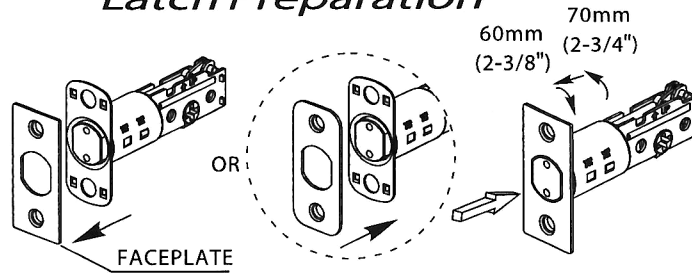
• Fit Doors 35mm(1-3/8") to 50mm(2") Thick • Backset 60 mm (2-3/8") / 70 mm (2-3/4")

## New Door Preparation

- A: Fold template on edge of door mark site 60mm(2-3/8") or 70mm(2-3/4") of holes.
- B: Drill a  $\phi 54$ mm(2-1/8") hole through door (from both sides to avoid damaging door).
- C: Drill a  $\phi 25$ mm(1") hole in door edge.
- D: Cut out a 58x26x3mm (2-9/32"x1"x1/8") base.



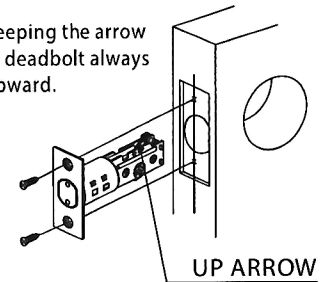
## Latch Preparation



Press the end of deadbolt, Turn the latch sleeve pull or push, make backage become 60mm (2-3/8") or 70mm (2-3/4").

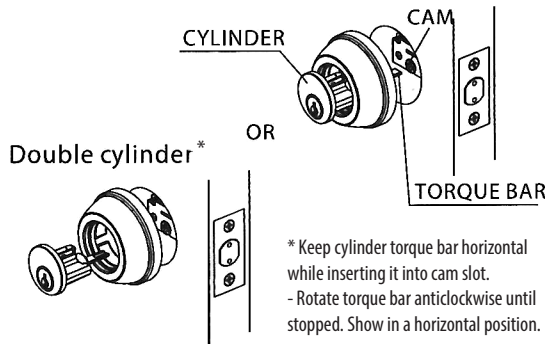
## Install Latch

Keeping the arrow in deadbolt always upward.



## 1 INSTALL OUTSIDE CYLINDER

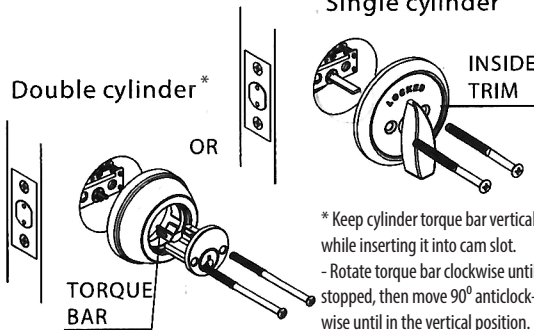
Single cylinder \*



\* Keep cylinder torque bar horizontal while inserting it into cam slot.  
- Rotate torque bar anticlockwise until stopped. Show in a horizontal position.

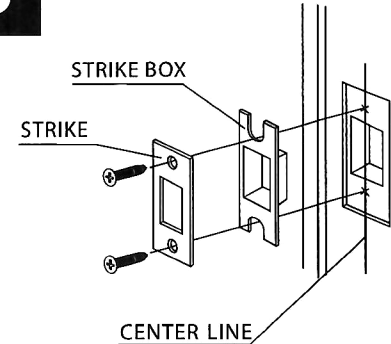
## 2 INSTALL INSIDE TRIM OR CYLINDER

Single cylinder



\* Keep cylinder torque bar vertical while inserting it into cam slot.  
- Rotate torque bar clockwise until stopped, then move 90° anticlockwise until in the vertical position.

## 3 INSTALL STRIKE



**Allegion (Australia) Pty Ltd**  
Phone 1800 098 094  
Website [www.allegion.com.au](http://www.allegion.com.au)

**Allegion (New Zealand) Limited**  
Phone 0800 477 869  
Website [www.allegion.co.nz](http://www.allegion.co.nz)

07/2014