

Assembly & Installation Instructions

CAUTION: Read instructions carefully and turn electricity off at main circuit breaker panel before beginning installation.

3847

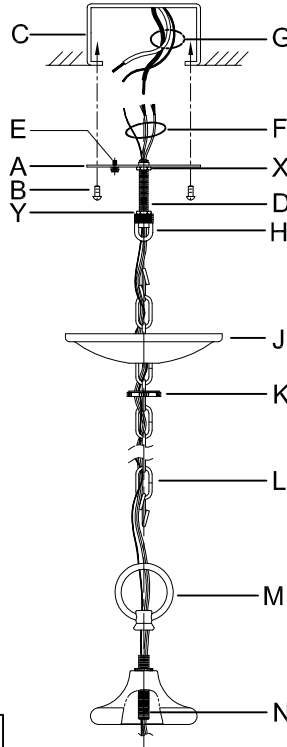
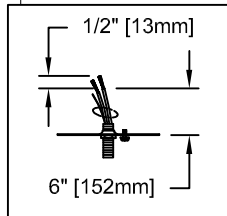
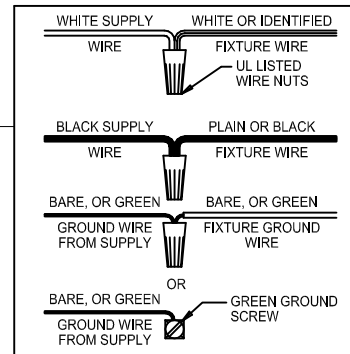
WARNING - If any Special Control Devices are used with this Fixture, Follow the Instructions Carefully to assure full compliance with N.E.C. requirements. If there are any questions, contact a Qualified Electrical Contractor.

CAUTION - All glass is fragile, use care when handling Glass component(s) and or Lamp(s).

ASSEMBLY STEPS
PASOS PARA ENSAMBLAR
MODE D'ASSEMBLAGE

1. D,E → A
2. B,A → C
3. X,Y,H → D (TO LOCK) (APRETAR) (À VERROUILLER)
4. Y → H
5. F → P,N,M
6. P → R
7. N → P
8. M → N
9. L → M
10. K,J → L
11. L → H
12. F → L,K,J,H,D
13. F → G
14. J,K → H
15. U → T
16. V → W
17. S → Q,W

ADJUST HEIGHT WITH "D"
 X → A TO LOCK
 AJUSTA LA ALTURA CON "D"
 X → A APRETAR
 RÉGLEZ LA HAUTEUR AVEC "D"
 X → A À VERROUILLER



B, C, G & U
 (NOT FURNISHED)
 (NO INCLUIDA)
 (NON FOURNIE)

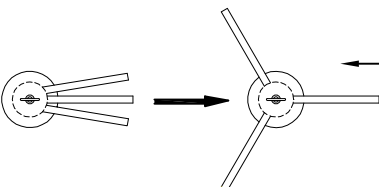
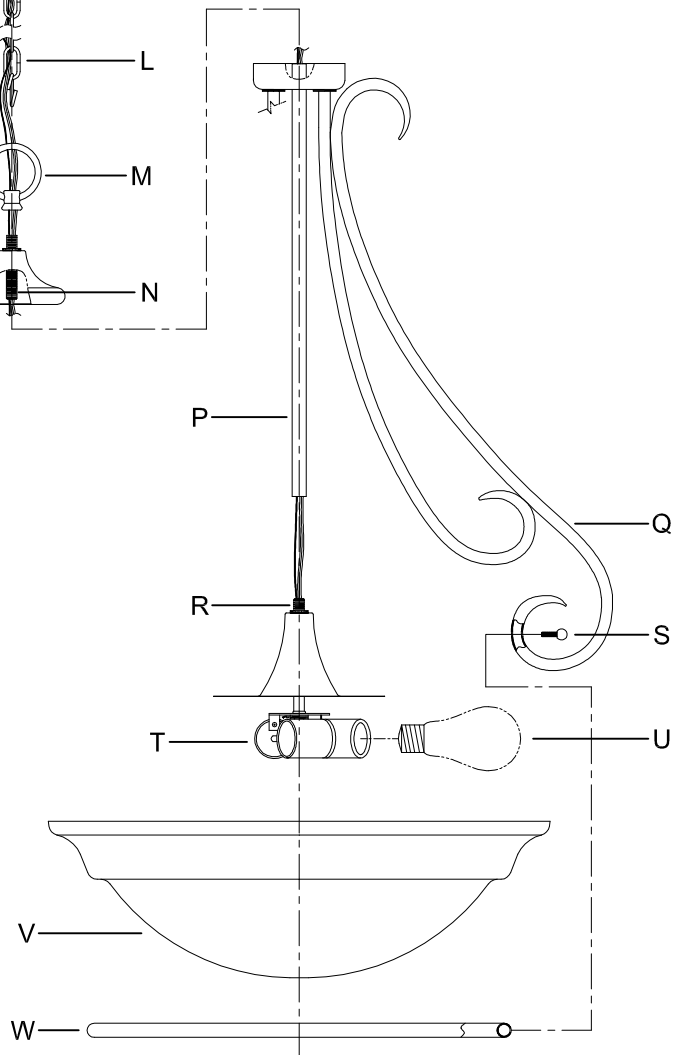


DIAGRAM - A

- Adjust Arms, if required, as shown in diagram A.
- Ajuste los brazos, como necesario, según el diagrama A.
- Ajustez les branches, comme nécessaire, selon le diagramme A.