

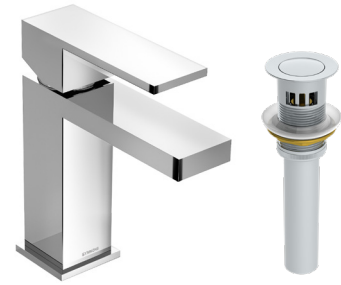






SYMMONS® Duro®

Location:

SLS3612
Single Handle Lavatory Faucet
Specification Submittal

SLS3612



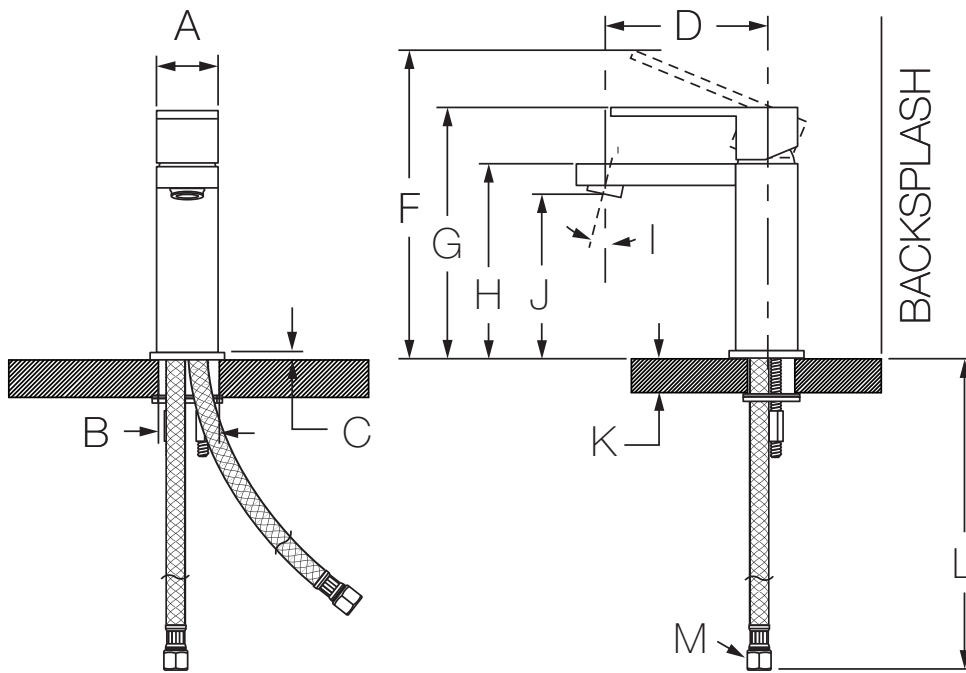
<p>Model Numbers</p>	<p>Feature Highlights</p>
<p><input type="checkbox"/> SLS3612 Single Handle Lavatory Faucet with push-pop metal drain assembly</p>	<ul style="list-style-type: none"> • Single hole mount configuration • Quarter turn ceramic cartridge • 24" braided hose water supply connections • 6-7/8" height • Push-pop metal drain assembly • Standard 1.0gpm (3.8 L/min) flow rate • Faucet shall be metal construction, plated in standard polished chrome finish
<p>Options/ Modifications</p> <p><input type="checkbox"/> 0.5  0.5 gpm (1.9 L/min) flow restrictor</p> <p><input type="checkbox"/> BBZ Brushed Bronze finish</p> <p><input type="checkbox"/> MB Matte Black finish</p> <p><input type="checkbox"/> STN Satin Nickel finish</p> <p>Note: Append appropriate -suffix to model number.</p>	<p>Warranty</p> <p>Limited Lifetime - to the original end purchaser in consumer/residential installations.</p> <p>10 Years - for commercial/industrial installations. Refer to www.symmons.com/warranty for complete warranty information.</p> 
<p>Compliance</p> <p>-ASME A112.18.1/CSA B125.1</p> <p>-NSF/ANSI/CAN 61: Q<1, NSF/ANSI 372</p> <p>-WaterSense 1.0gpm</p>  	

Architectural/ Engineering Specification

Symmons Duro Single Handle Lavatory Faucet _____ Includes Single hole mount configuration, Quarter turn ceramic cartridge, 24" braided hose water supply connections, 6-7/8" height, Push-pop metal drain assembly, Standard 1.0gpm (3.8 L/min) flow rate, Faucet shall be metal construction, plated in standard polished chrome finish. 10 Year Commercial Warranty. ASME A112.18.1/CSA B125.1, NSF/ANSI/CAN 61: Q<1, NSF/ANSI 372, WaterSense 1.0gpm compliant. Available options: "0.5 - 0.5 gpm (1.9 L/min) flow restrictor", "BBZ - Brushed Bronze finish", "MB - Matte Black finish", "STN - Satin Nickel finish".

SLS3612

Dimensions



Measurements	
A	1-11/16", 43 mm
B	Hole Size: Min. Ø 1-1/4", 32 mm Max. Ø 1-1/2", 38 mm
C	3/16", 5 mm
D	4-7/16", 113 mm
F	8-7/16", 214 mm
G	6-7/8", 175 mm
H	5-5/16", 135 mm
I	12°
J	4-7/16", 113 mm
K	Deck Thickness Ref. Min. 7/8", 22 mm Max. 2-1/2", 64 mm
L	24", 610 mm
M	(2x) 3/8" compression fitting

Note: Dimensions subject to change without notice.

