

# Installation Instructions

## Sliding Shower Door

Record your model number:  
Noter le numéro de modèle:  
Anoté su número de modelo: \_\_\_\_\_

Français, page 29  
Español, página 58

**KOHLER**<sup>®</sup>

# Thank You for Choosing KOHLER

---

Need help? Contact our Customer Care Center.

- USA/Canada: 1-800-4KOHLER (1-800-456-4537) Mexico: 001-800-456-4537
- Service parts: [kohler.com/serviceparts](http://kohler.com/serviceparts)
- Care and cleaning: [kohler.com/clean](http://kohler.com/clean)
- Patents: [kohlercompany.com/patents](http://kohlercompany.com/patents)

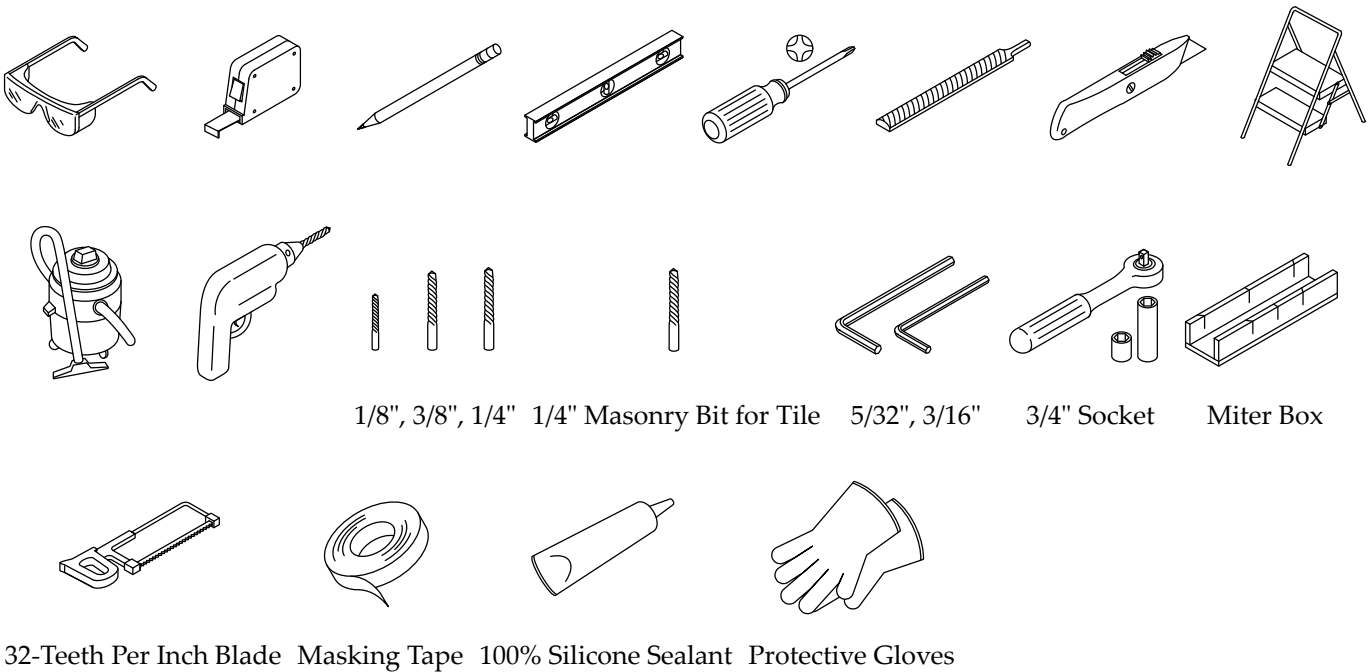
## Warranty

---

This product is covered under the **KOHLER® Bath and Shower Doors Ten-Year Limited Warranty**, found at [kohler.com/warranty](http://kohler.com/warranty). For a hardcopy of warranty terms, contact the Customer Care Center.








## Tools and Materials

---



## Before You Begin

---

-  **WARNING: Risk of serious injury.** Damage before installation can result in glass shattering. Inspect the glass and all parts for damage before installation.
-  **WARNING: Risk of serious injury.** Improper installation can result in glass shattering. Follow all installation instructions.
-  **WARNING: Risk of serious injury.** Do not cut tempered glass. Tempered glass will shatter if cut.
-  **WARNING: Risk of serious injury.** Shower door panels can shatter. Regularly inspect the glass and all parts for damage, missing, or loose parts.
-  **WARNING: Risk of serious injury.** Always wear safety glasses while cutting and drilling.
-  **CAUTION: Risk of personal injury.** Tempered glass should not contact hard surfaces or the glass may shatter. Do not touch the edge of the tempered glass panel with tools or any hard objects.
-  **CAUTION: Risk of personal injury.** Tempered glass may shatter. Wear long sleeves and protective clothing to prevent injury in the event of shattered glass.

**IMPORTANT!** Leave this manual for the end user. Read all instructions before installing or using this product.

**IMPORTANT!** This door is designed to accommodate walls that are up to 3/8" (10 mm) out of plumb. Verify that the area that the door will be attached to is within 3/8" (10 mm) of plumb. The door may not function properly if the wall is more than 3/8" (10 mm) out of plumb.

**IMPORTANT!** Do not remove the corner protectors from the door panels until the door panels are installed.

Cover the drain with tape to prevent the loss of small parts.

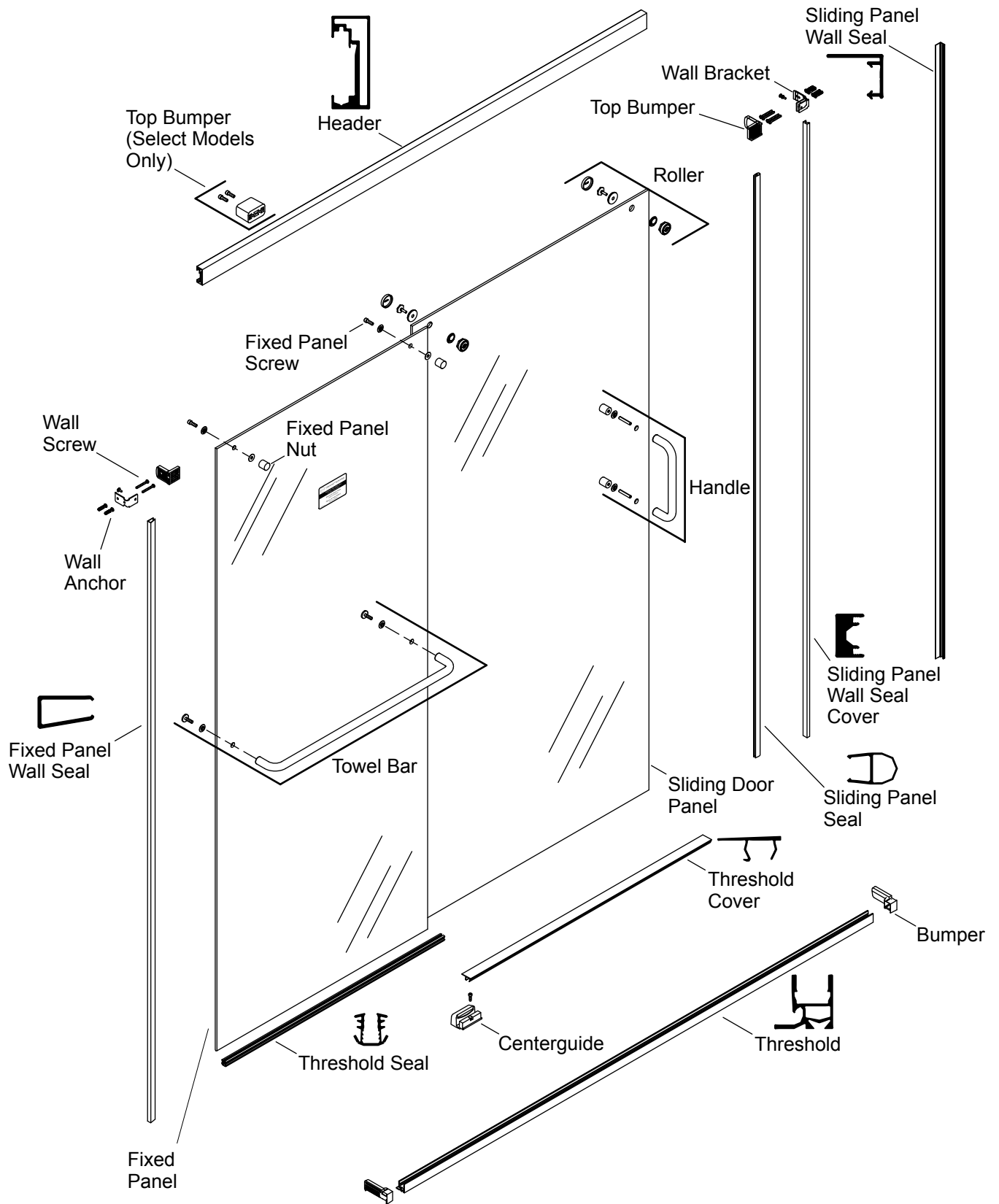
Identify all parts before installation. Inspect for damage.

Follow the silicone sealant manufacturer's instructions for application and curing time.

Two people should perform this installation.

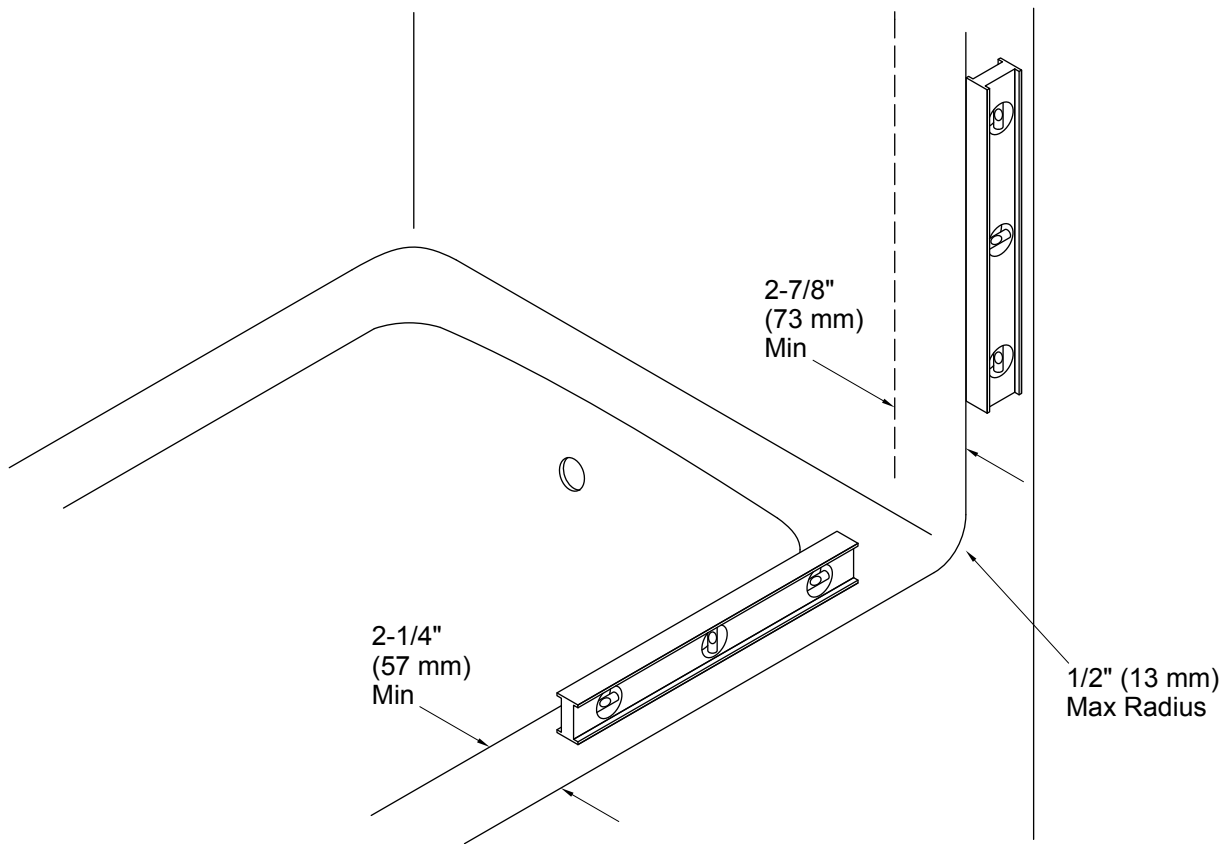
The fixed panel should be installed on the opposite side of the showerhead.

# Parts Identification



# 1. Confirm Ledge and Wall Compatibility

---



**IMPORTANT!** For proper door alignment and operation, confirm that the shower base/bath ledge and walls meet the following requirements. Do not install the door if these requirements are not met.

There must be at least 2-7/8" (73 mm) of flat surface on the shower base/bath walls.

There must be at least 2-1/4" (57 mm) of flat surface on the shower base/bath ledge.

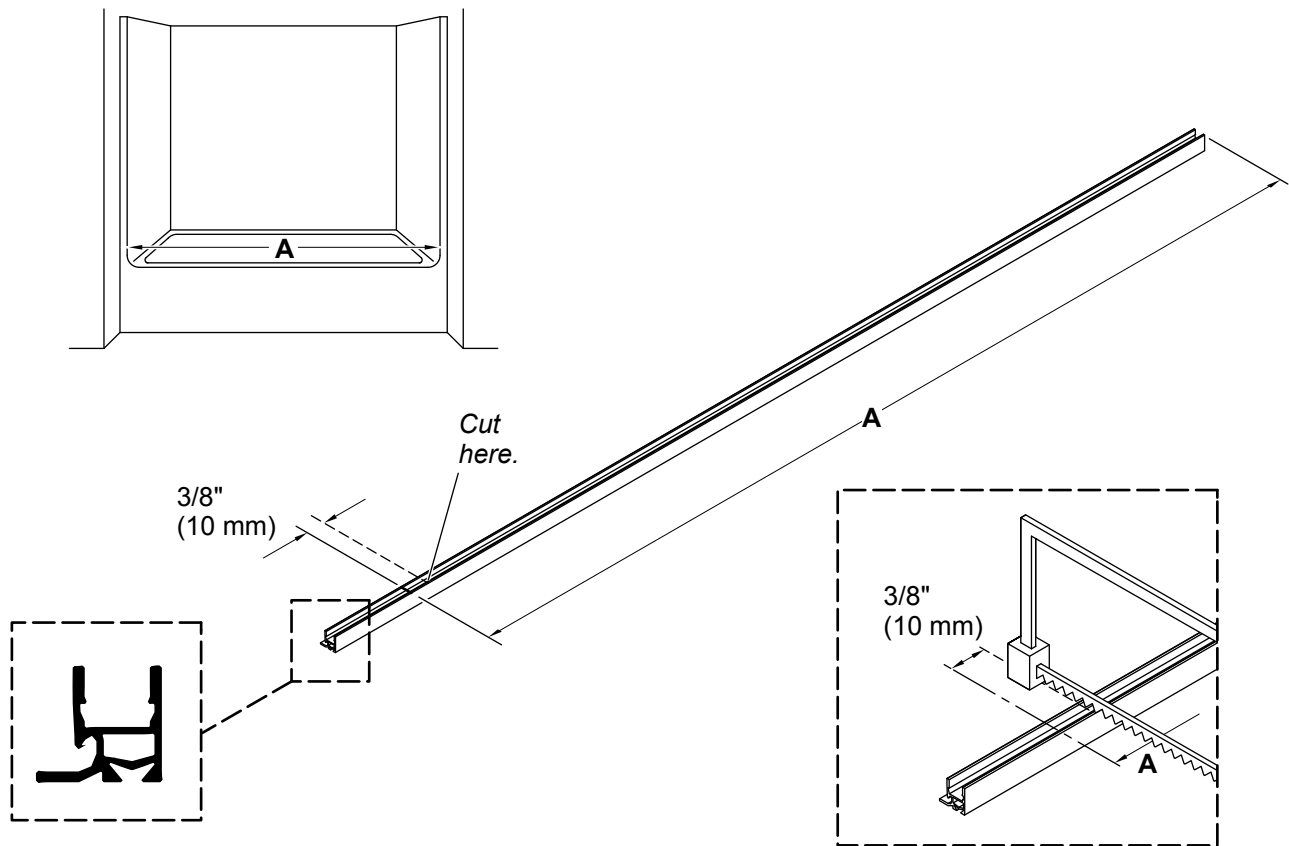
Walls must be within 3/8" (10 mm) of plumb.

The shower base/bath ledge must be level between the walls.

The radius of the shower base/bath ledge where it meets the wall must be 1/2" (13 mm) or less.

## 2. Measure and Cut the Threshold

---

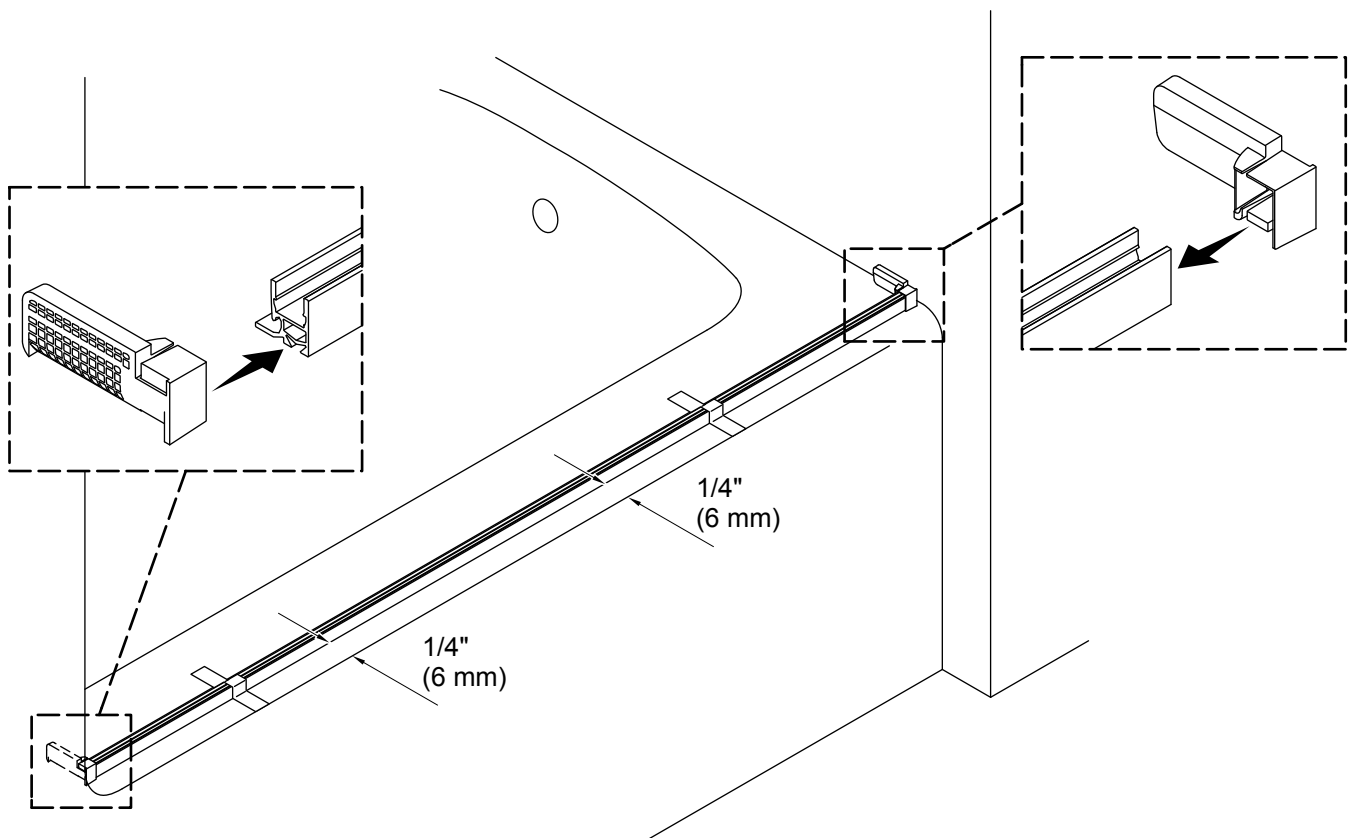


**⚠ WARNING: Risk of serious injury.** Always wear safety glasses while cutting and drilling.

- Use a drop cloth to protect the shower surface.
- Measure distance "A" between the shower walls and mark the distance on the threshold.
- Measure 3/8" (10 mm) from "A" and make a second mark on the threshold, as shown.
- Cut the threshold at the second mark and file any rough edges.

### 3. Position the Threshold

---

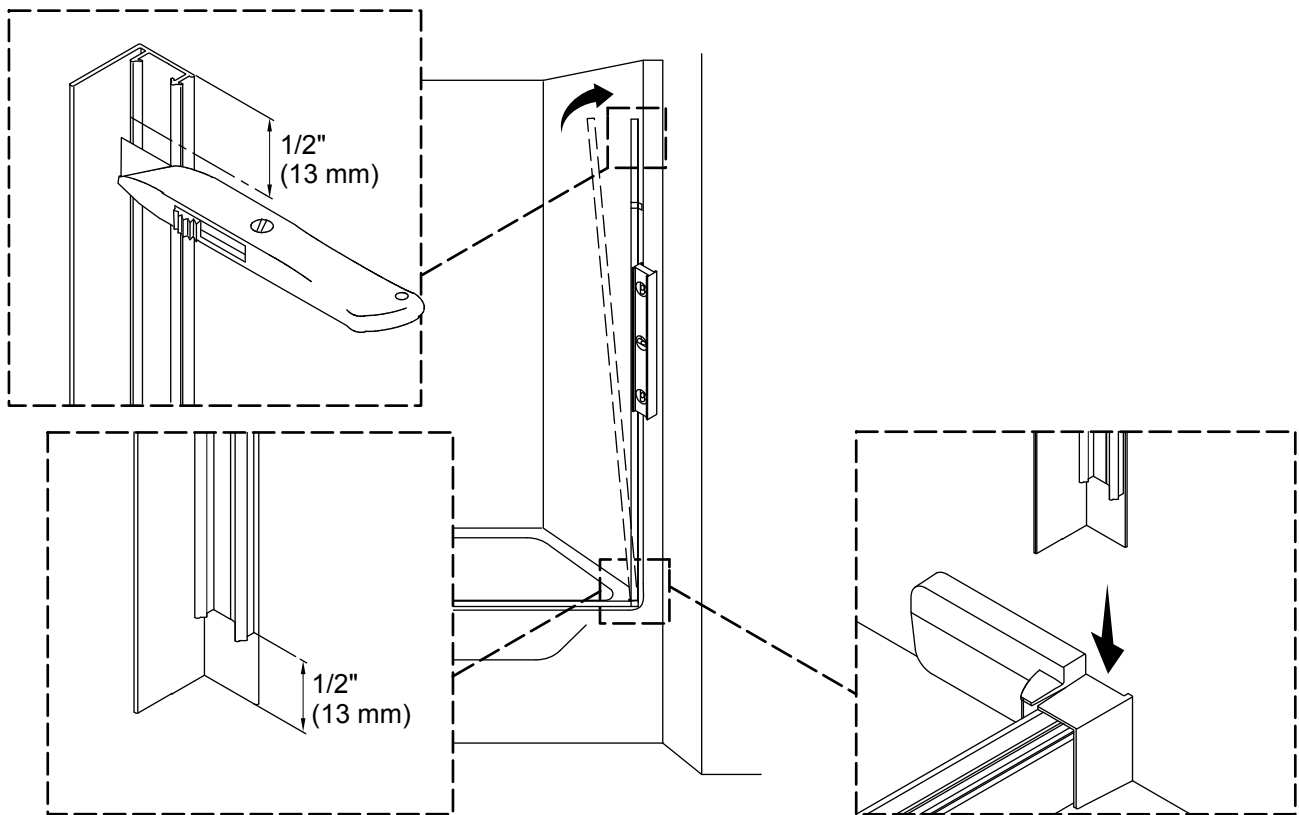


**NOTICE:** The threshold must sit on a flat surface.

- If needed, file the ends of the threshold to match the corner radius of the shower wall.
- If needed, trim the bumpers to match the corner radius of the shower wall.
- Press the bumpers onto the ends of the threshold.
- Align the threshold 1/4" (6 mm) from the shower base/bath ledge along the entire length and mark the location.
- Tape the threshold securely in place along the mark, centered between the walls.
- Press the bumpers against the walls if there is a gap.

## 4. Trim the Sliding Panel Wall Seal

---



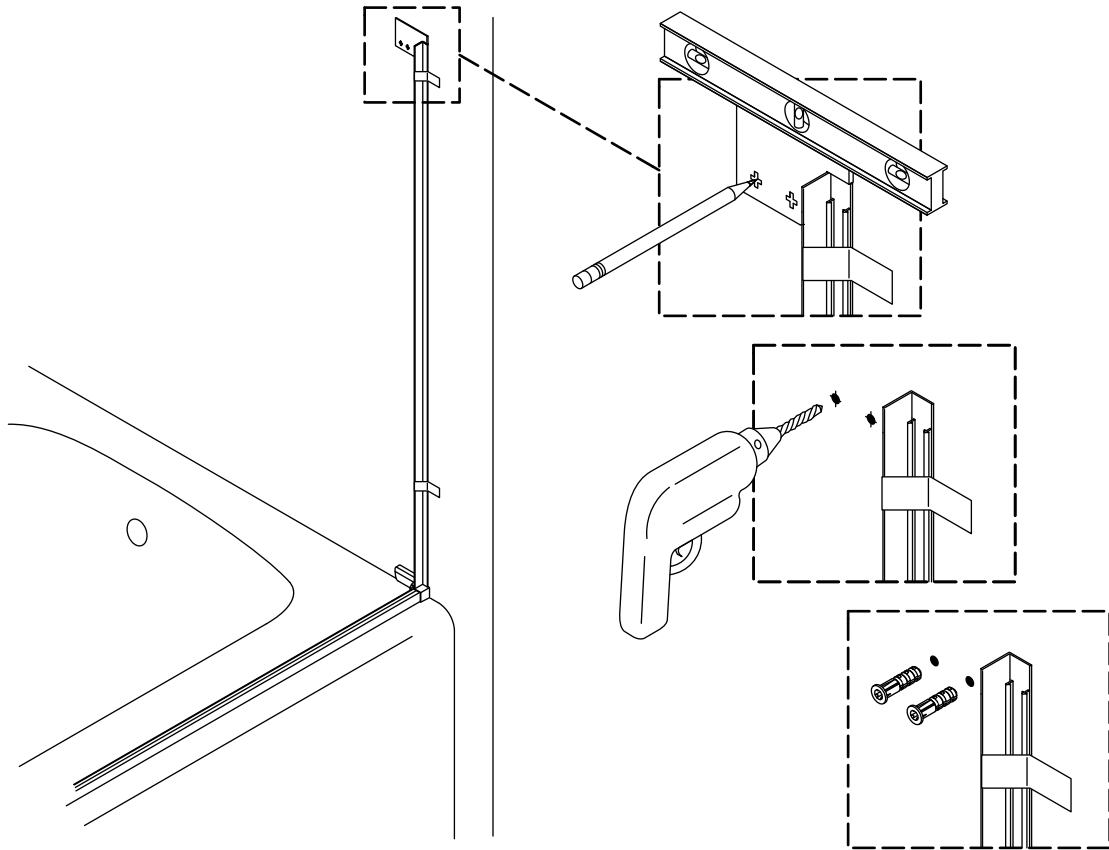
**IMPORTANT!** The wall seal must be level and plumb for proper header installation.

**NOTE:** Do not cut away the entire seal when trimming the tabs.

- Trim 1/2" (13 mm) of the tabs from the seal at the top and bottom of the seal.
- Insert the trimmed seal into the L-shaped channel on the sliding panel side bumper.
- Using a level and masking tape, secure the seal to the wall.
- Verify that the wall seal is level and plumb.

## 5. Mark and Drill the Wall Bracket Holes

---



**IMPORTANT!** The wall seal must be level and plumb for proper header installation.

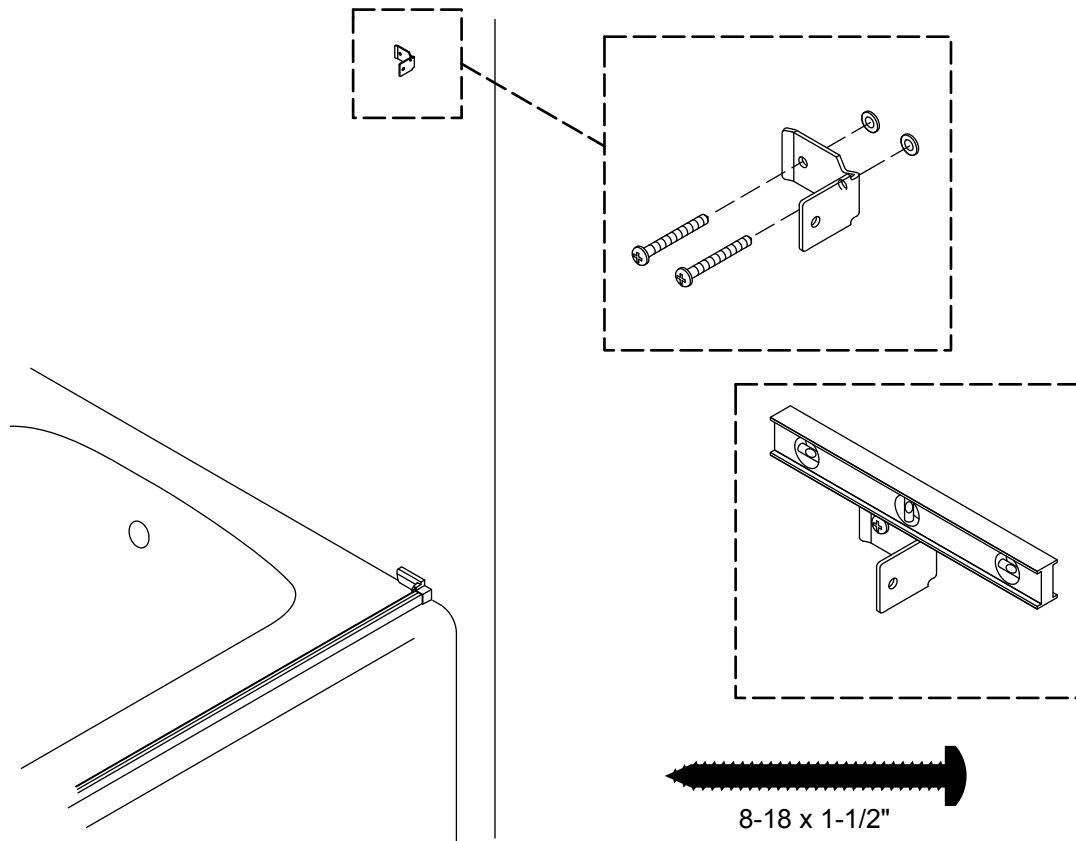
**IMPORTANT!** The sliding panel wall seal will be used to measure the wall bracket holes on both sides of the shower.

**IMPORTANT!** Hole locations for the wall brackets are critical. Verify that the holes are properly marked and drilled straight into the wall.

- Position the drill template over the wall seal, pointing into the shower as shown.
- Verify that the template is fully seated over the wall seal, flat against the wall, and level.
- Mark the hole locations and remove the template.
- Drill 1/4" holes straight into the wall at the marked locations. **Verify that the drill is not at an angle when drilling.**
- Install the provided wall anchors. Verify that the anchors are fully seated into the wall.
- Repeat for the opposite wall using the same sliding panel wall seal.

## 6. Install the Wall Brackets

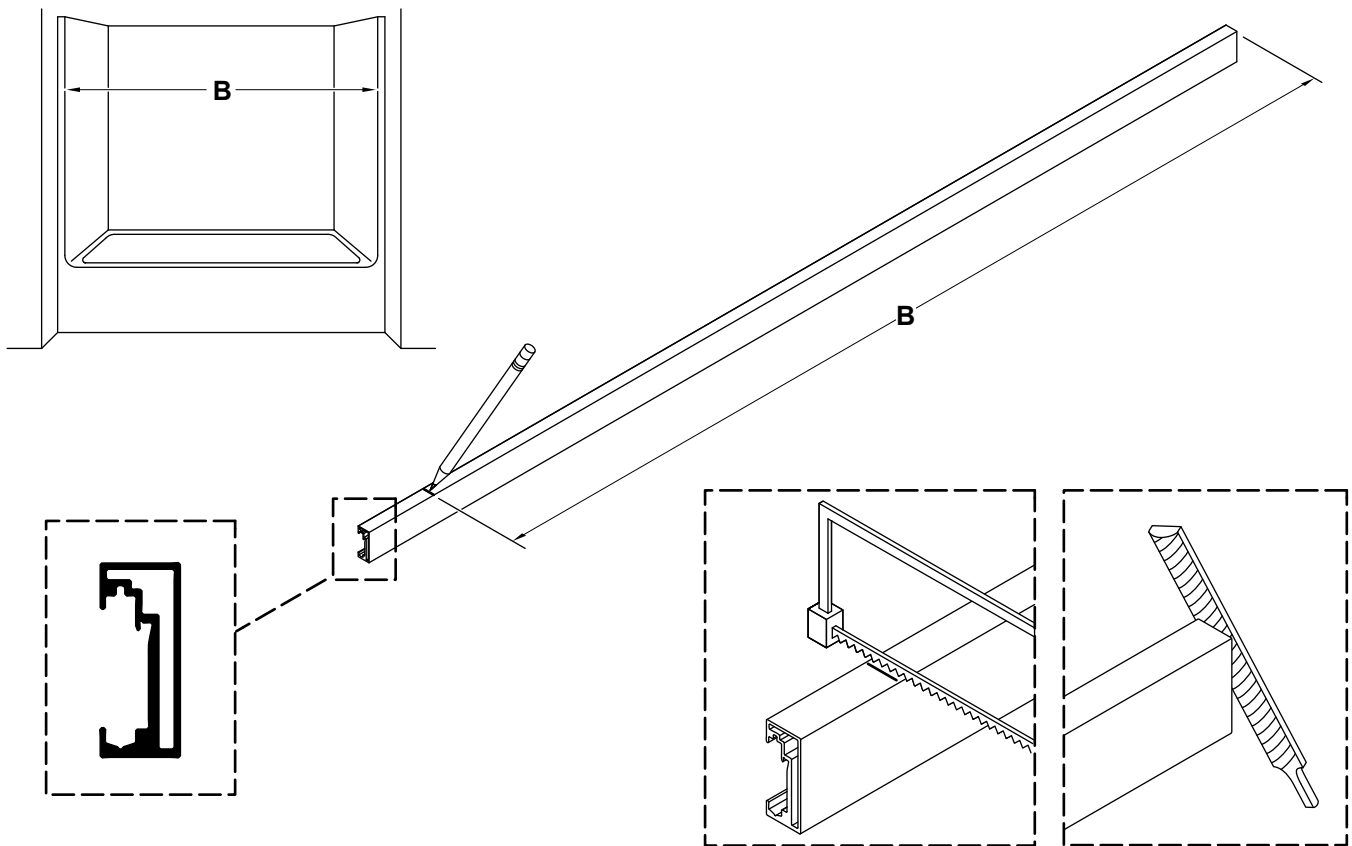
---



- Remove the wall seals and set aside.
- Position the wall bracket over the wall anchors with the leg toward the outside of the shower.
- Secure the bracket using two #8-18 x 1-1/2" screws (provided).
- Verify that the wall bracket is level. Loosen the screws and adjust the position if needed.
- Repeat for the opposite wall.

## 7. Measure and Cut the Header

---

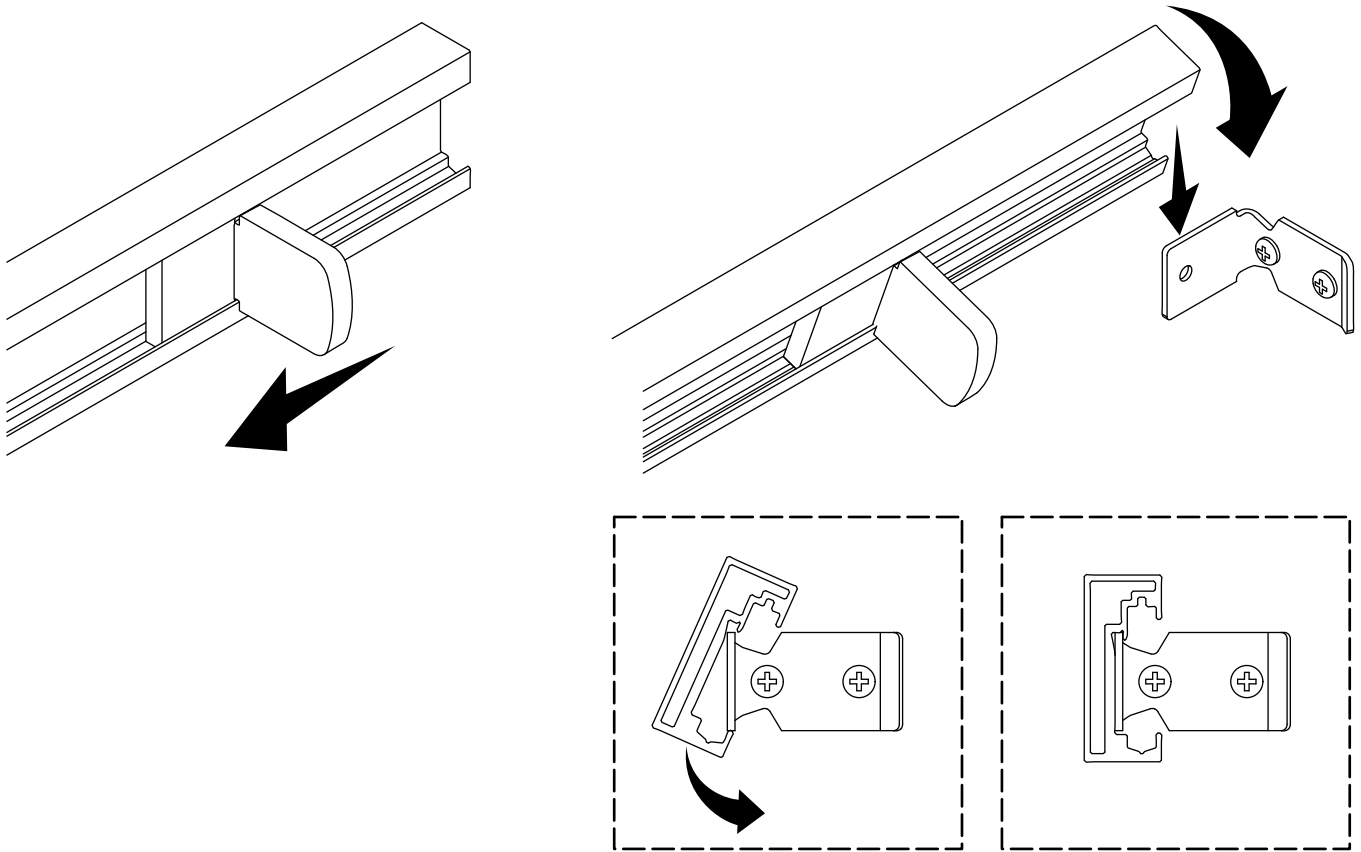


**IMPORTANT!** Confirm your measurements before cutting. Do not cut the header too short.

- Measure distance “B” between the shower walls and mark the distance on the header.
- Using a hand saw, cut the header just inside the marked line.
- File any rough edges and clean debris from the roller tracks.
- With help, move the sliding panel into the shower area before installing the header. **Do not remove the corner protectors.**

## 8. Position the Header

---

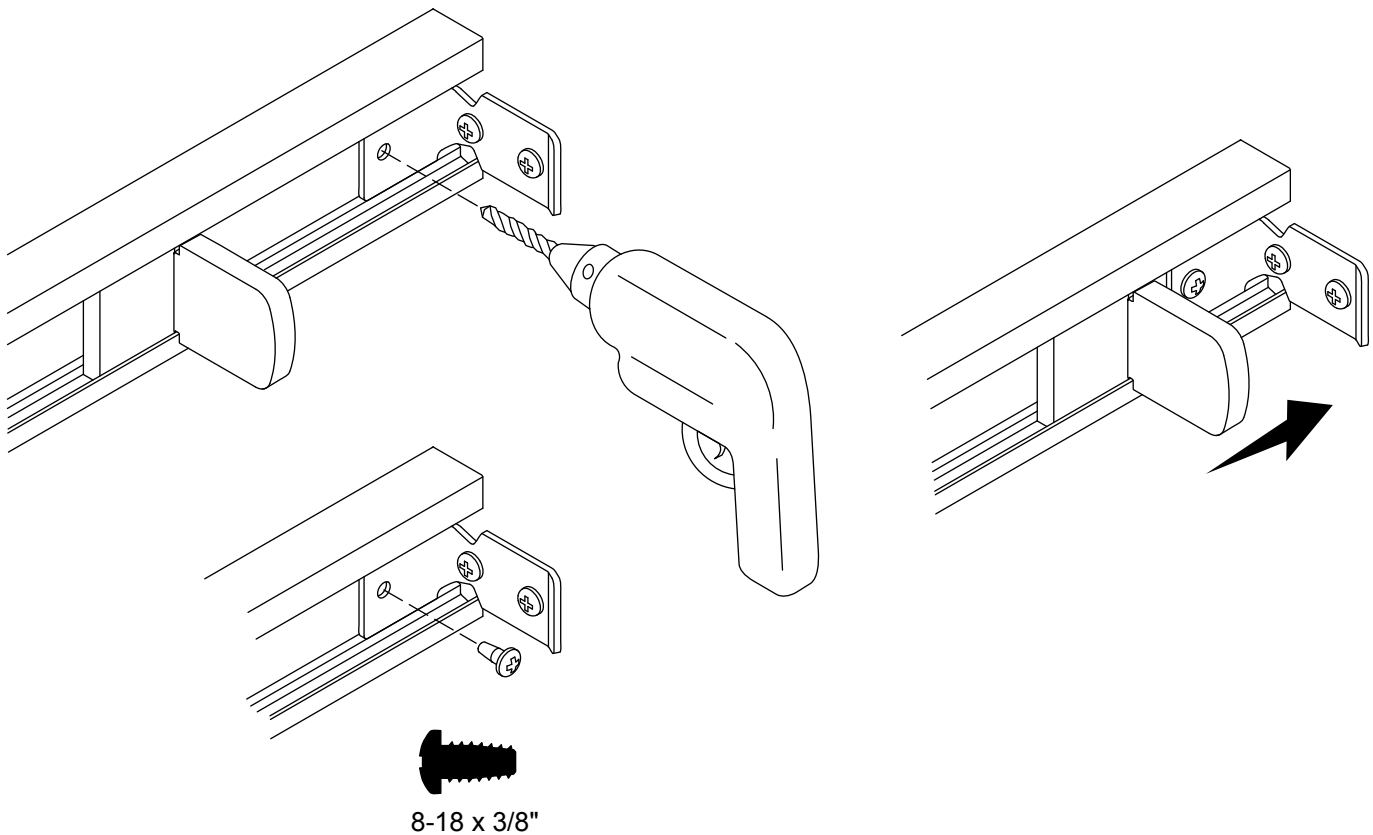


**⚠ CAUTION: Risk of product damage.** The header may fall if not properly positioned onto the wall brackets. Verify that the top of the header is properly hooked onto the brackets.

- Slide a bumper into each end of the header, as shown.
- From inside the shower, raise the header above the wall brackets.
- Tilt the header and lower onto the wall brackets, as shown.
- Verify that the top of the header is properly hooked onto the brackets, as shown.
- Rotate the header in place, flat against the wall brackets.

## 9. Secure the Header

---

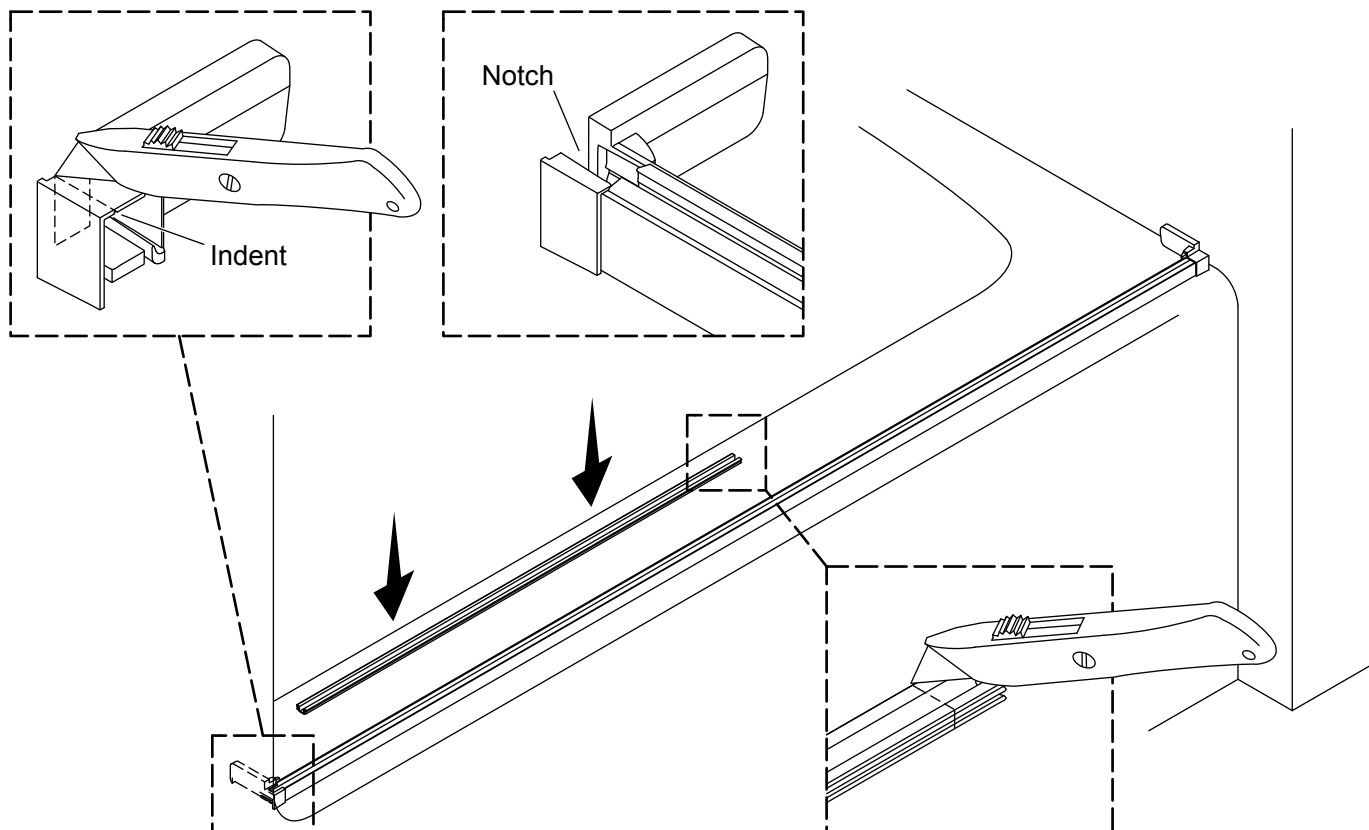


**⚠ CAUTION: Risk of personal injury.** Position hands away from the drilling locations when drilling through the header.

**⚠ CAUTION: Risk of product damage.** When securing the header to each wall bracket, do not drill through the second wall of the header.

- From inside the shower, drill a 9/64" hole through the first wall of the header using the wall bracket as a template.
- Repeat for the other side.
- Secure the header to each wall bracket using a #8-18 x 3/8" self-drilling screw (provided).
- Thoroughly clean the header. Verify that there is no debris in the roller tracks.
- Slide each bumper flush against the wall until clicked onto the bracket.

## 10. Install the Threshold Seal



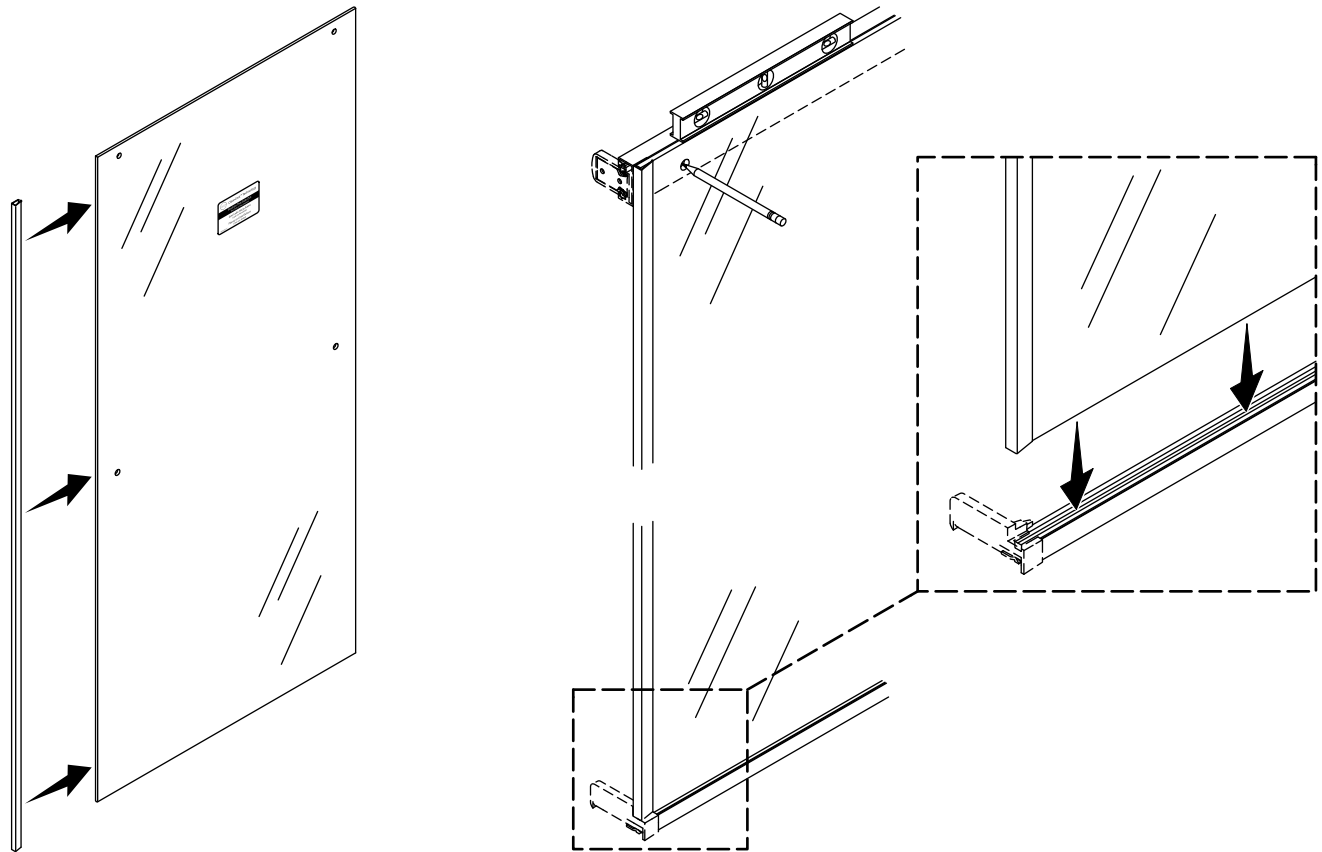
**⚠ CAUTION: Risk of product damage.** A notch is required on the bumper for the fixed panel side only. An indent on the inside top of the bumper indicates where the notch should be cut. **Do not cut a notch in the bumper for the sliding panel side.**

**NOTE:** The fixed panel should be installed on the opposite side of the showerhead.

- Remove the fixed panel side bumper.
- Cut a notch in the fixed panel side bumper along the indent on the inside top of the bumper.
- Reinstall the fixed panel side bumper.
- Measure the bottom length of the fixed panel and subtract 5/8" (16 mm).
- Mark the measurement on the threshold seal and cut to length.
- Slide the threshold seal into the channel of the threshold and align the seal with the front of the bumper.
- Press the remainder of the threshold seal into the groove on the threshold.

## 11. Prepare the Fixed Panel

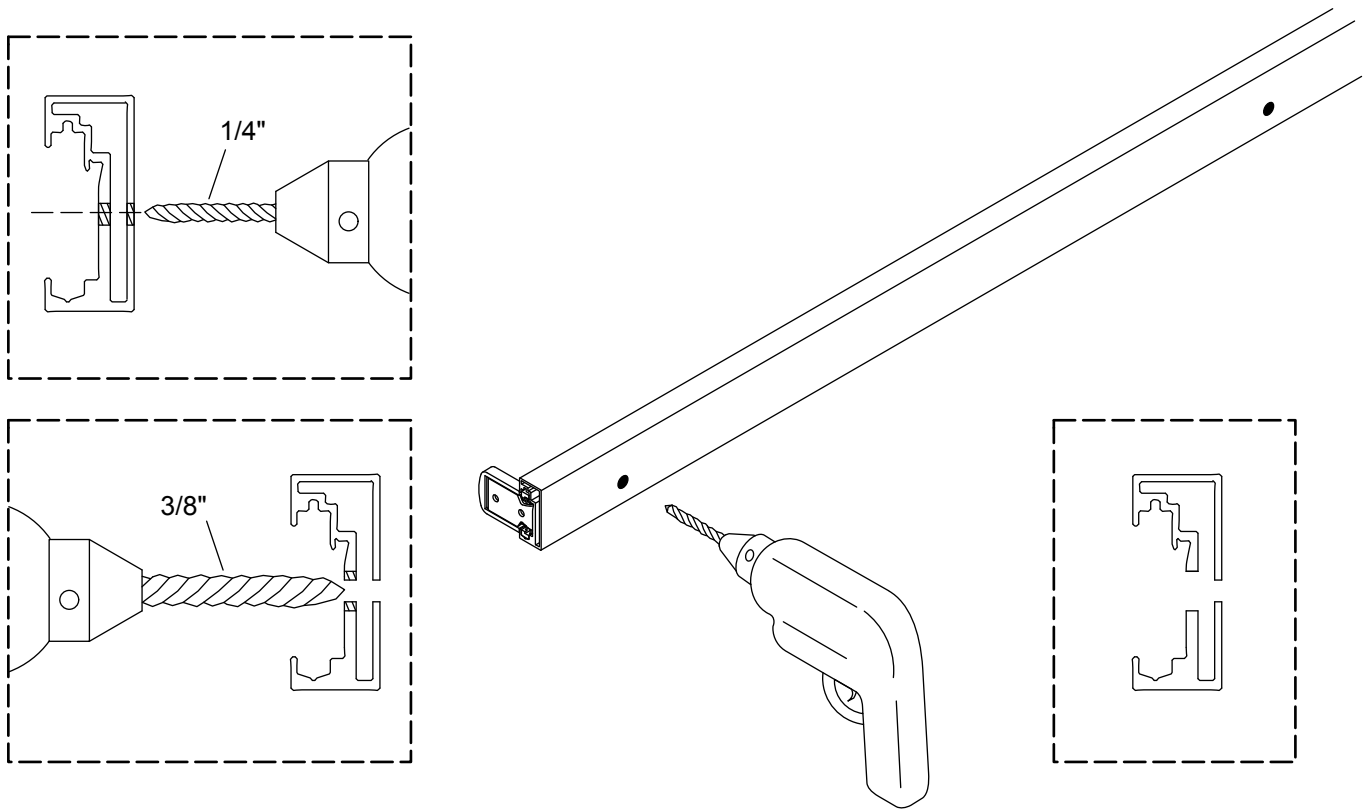
---



- Remove the corner protectors from the fixed panel.
- Align the top of the fixed panel wall seal with the top of the wall side edge of the fixed panel. Do not remove the adhesive backing at this time.
- Verify that the label on the panel will face the outside of the shower, then press the seal onto the panel.
- Place the fixed panel into the channel in the threshold seal and lean the top of the panel against the header.
- Verify that the top of the header and the top of the fixed panel are aligned.
- Slide the fixed panel against the wall.
- Mark the fixed panel hole locations onto the header.
- Carefully remove the fixed panel and set aside in a safe location.

## 12. Drill the Header Holes

---



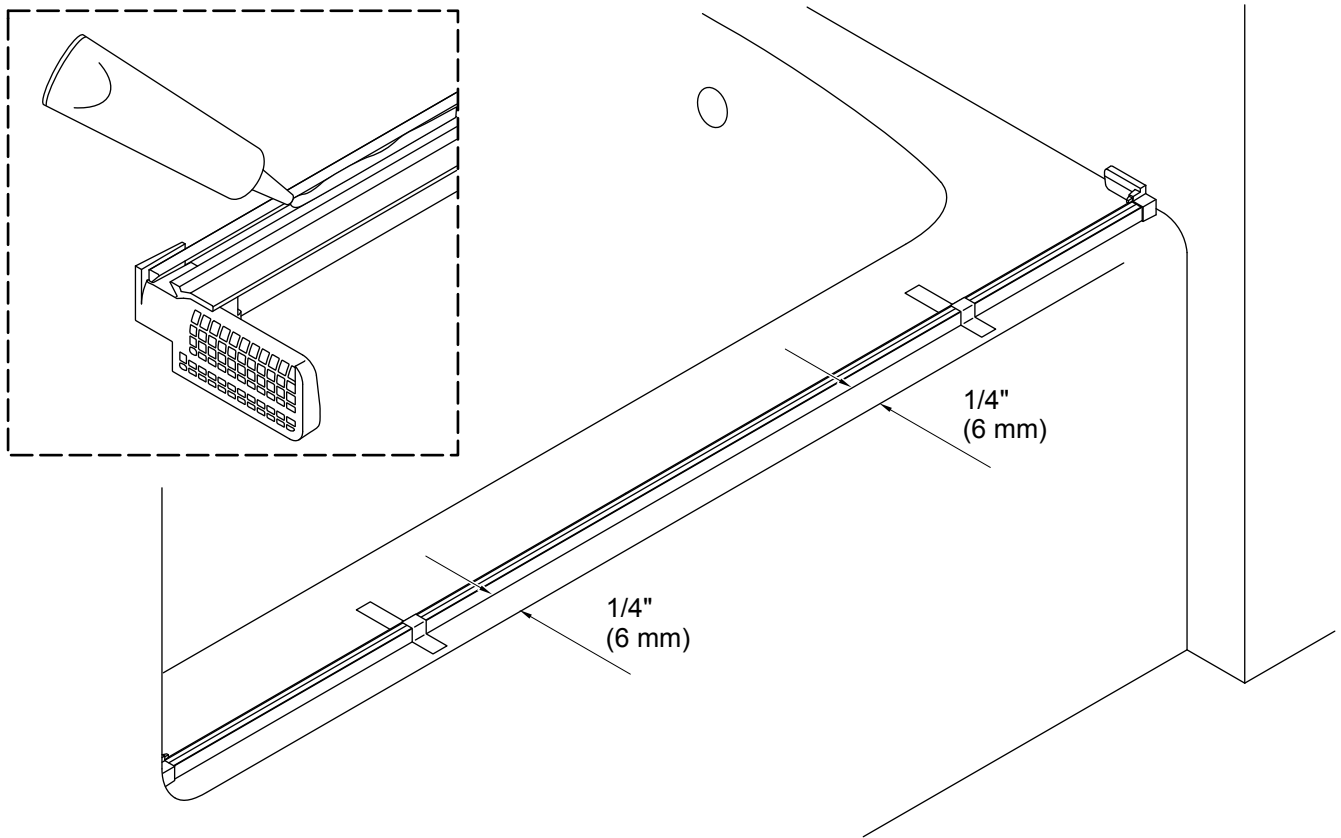
**⚠ CAUTION: Risk of personal injury.** Position hands away from the drilling locations when drilling through the header.

**⚠ CAUTION: Risk of product damage.** The roller tracks must be free of debris. Thoroughly clean the header after drilling.

- Drill 1/4" holes through both walls of the header at the marked locations.
- From the inside of the shower, use a 3/8" drill bit to enlarge the 1/4" holes on the back wall of the header. **Do not drill through the holes on the front wall of the header.**
- Thoroughly clean the header. Verify that there is no debris in the roller tracks.

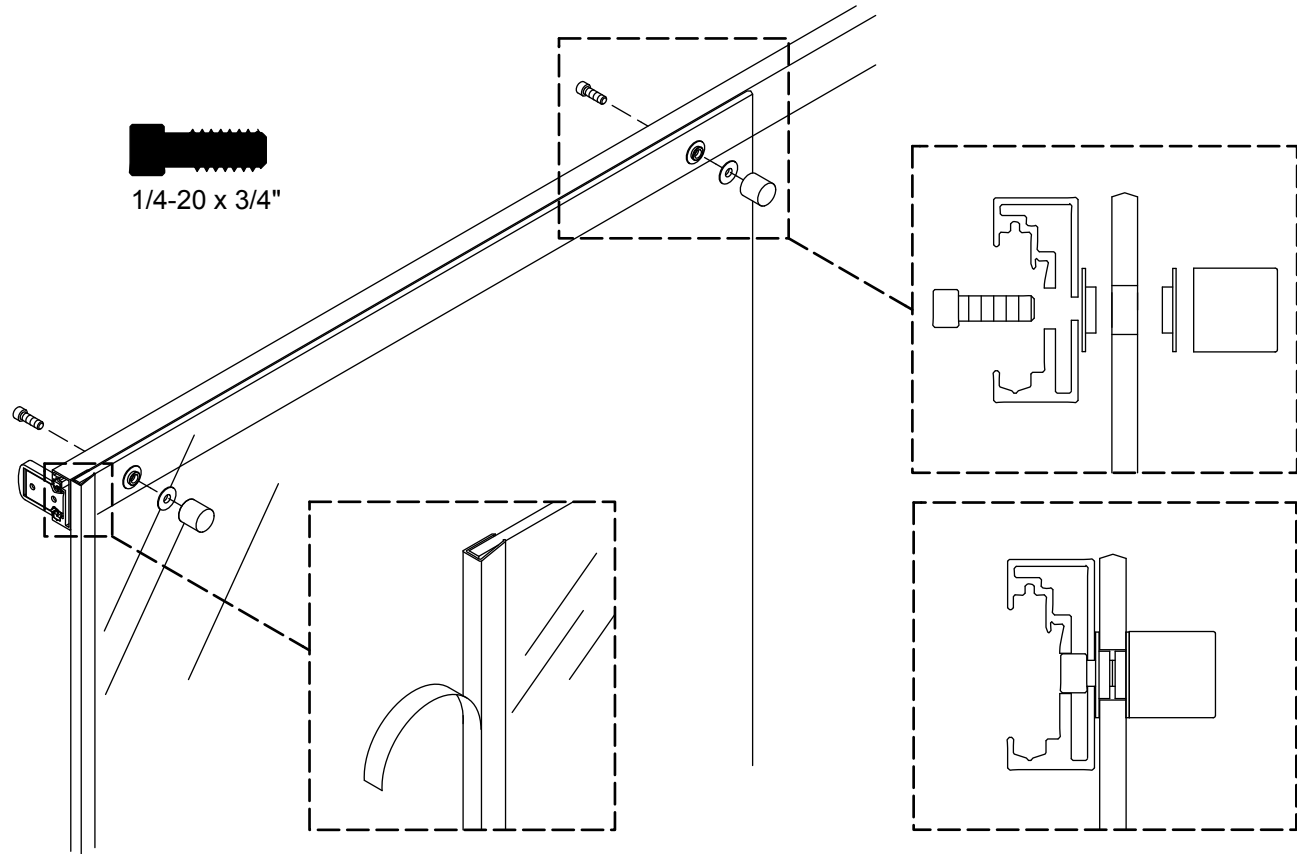
## 13. Install the Threshold

---



- Verify that the threshold location is marked on the shower base/bath ledge.
- Remove the threshold.
- Thoroughly clean the ledge and shower area before proceeding.
- Apply 100% silicone sealant into the groove(s) on the bottom of the threshold.
- Tape the threshold securely in place in the previous location.

## 14. Install the Fixed Panel



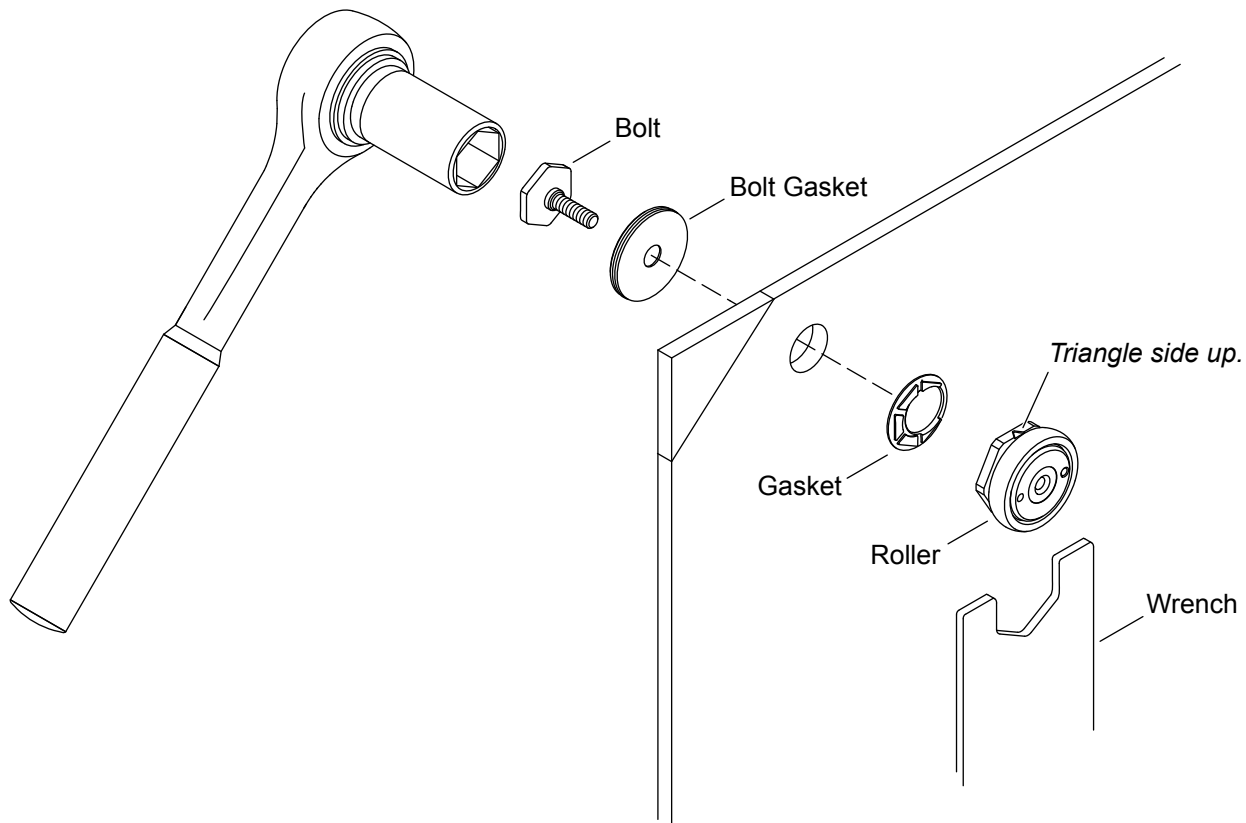
- Install a sockethead screw (provided) into the holes in the back wall of the header.
- Place a gasket onto each of the screws protruding from the front wall of the header.
- Apply a bead of 100% silicone sealant into the bottom of the threshold seal.
- Remove the adhesive backing from the fixed panel wall seal.
- Place the fixed panel into the channel in the threshold and lean the top of the panel against the header.
- Place a gasket onto each of the screws protruding from the holes in the fixed panel.
- Thread a nut onto each of the screws.
- Tighten the screw from inside the header with a 3/16" hex wrench.

**IMPORTANT!** The head of the screws must be flush with the inside wall of the header when tightened or they will interfere with door operation.

- Press the wall seal tight against the wall if there is a gap.
- Install the towel bar to the fixed panel using the separate instructions provided.

## 15. Assemble the Rollers

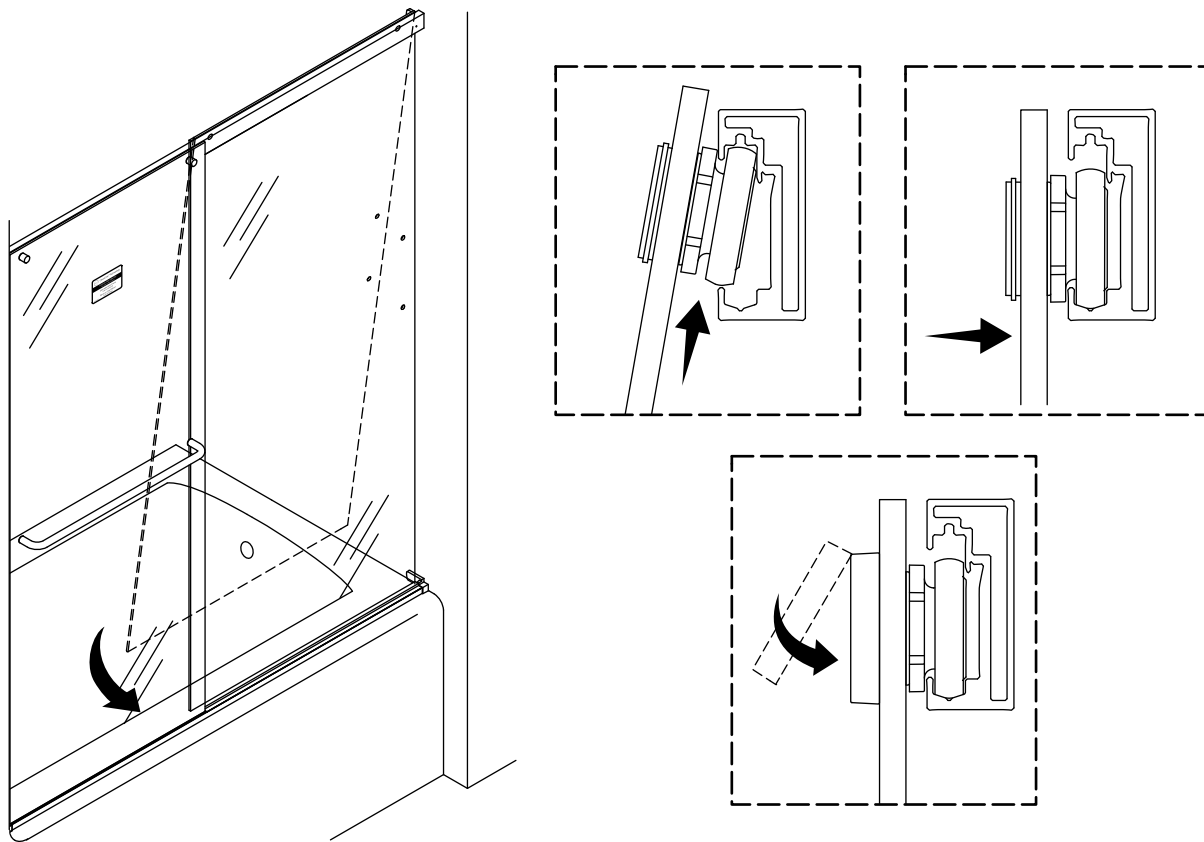
---



**NOTICE:** There is a triangle shape molded on one of the flats of the roller.

- Orient the sliding door panel so that the handle holes are on the opening side of the shower.
- Position the roller and gasket on the outside of the panel, and insert the roller cam into the hole.
- Orient the roller so that the triangle is pointing up. This sets the door at its lowest position, making adjustments easier.
- Firmly handtighten the roller to the glass with the gasket and bolt.
- Position the provided wrench on the roller and a 3/4" socket wrench on the bolt.
- Securely tighten the roller to the panel. The gasket may flex as the bolt is tightened.
- Repeat these steps for the second roller.

## 16. Install the Sliding Panel



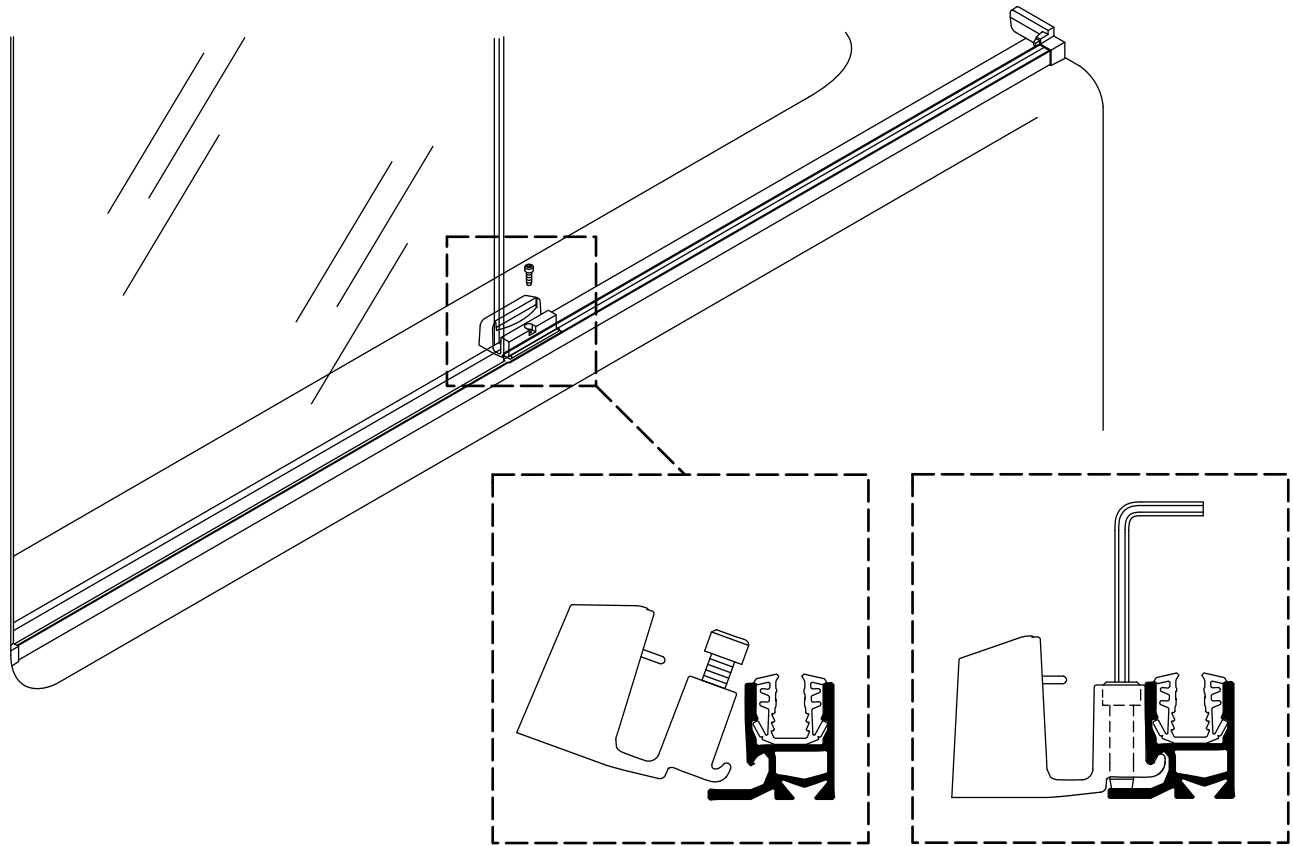
**⚠ CAUTION: Risk of product damage.** Carefully and thoroughly clean the header. Make sure that there is no debris in the roller tracks.

**NOTE:** The rollers face the outside of the shower.

- Remove the corner protectors from the sliding panel.
- With help, from inside the shower, tilt the panel to position the tops of the rollers inside the header. Rest the rollers on the lower track of the header and set the panel in place.
- Ensure that the panel can roll back and forth smoothly. If necessary, adjust the rollers according to the instructions in the "Panel Adjustment and Maintenance" section.
- Press the roller covers onto the roller bolts.

## 17. Install the Centerguide

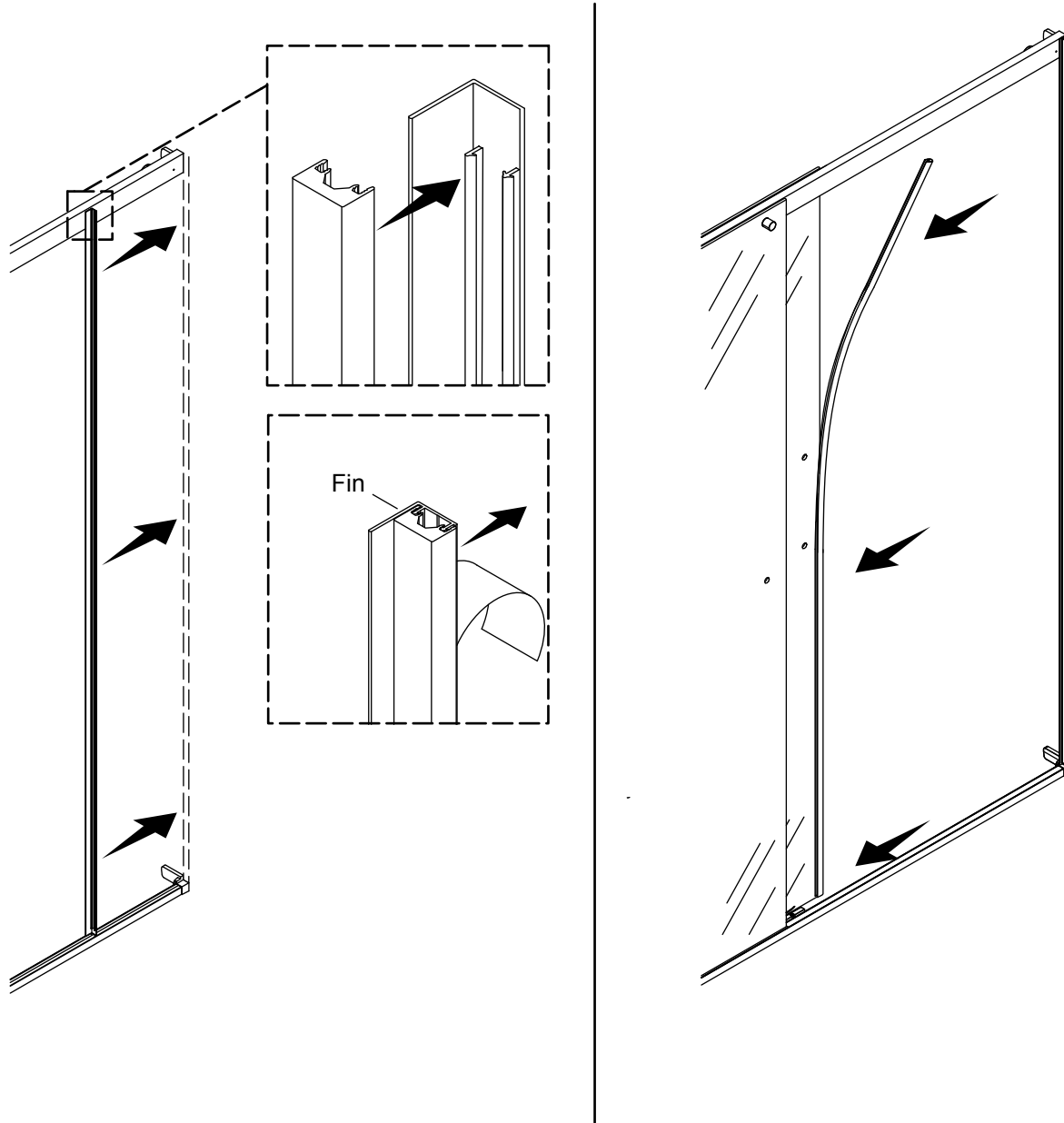
---



**IMPORTANT!** The centerguide must be fully seated behind the threshold lip as shown.

- Slide the door panel to the fixed panel end of the shower.
- Thread the screw partially into the centerguide hole. The screw should not protrude from the bottom of the centerguide.
- Rotate the centerguide into place in the threshold groove, as shown.
- Slide the door panel into the centerguide channel.
- Shift the centerguide along the threshold until the edge of the guide is aligned with the edge of the fixed panel.
- Handtighten the screw with a 5/32" hex wrench, then tighten an additional one-half turn.

## 18. Install the Remaining Seals



- Align the top of the cover with the top of the wall seal and press together.
- Remove the adhesive backing from the sliding panel wall seal.

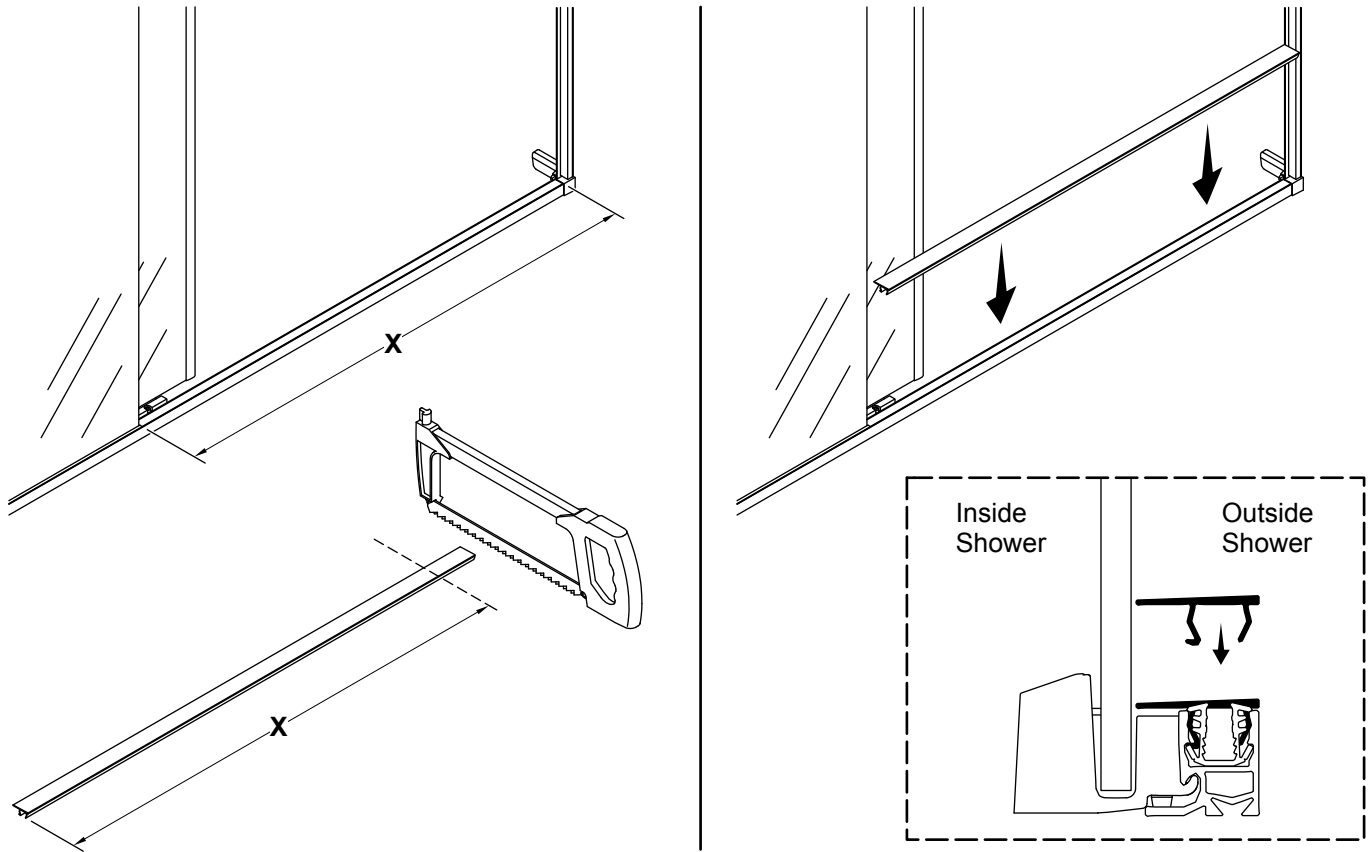
**NOTE:** The fin on the L-shaped wall seal should face the interior of the shower.

- Starting from the bottom, rest the sliding panel wall seal on the bottom bumper and press against the wall.
- Verify that the wall seal is level and plumb.

**NOTE:** The sliding panel seal should sit above the bottom bumper and below the top bumper when the sliding panel is closed.

- Press the sliding panel seal onto the end of the sliding panel glass closest to the showerhead.

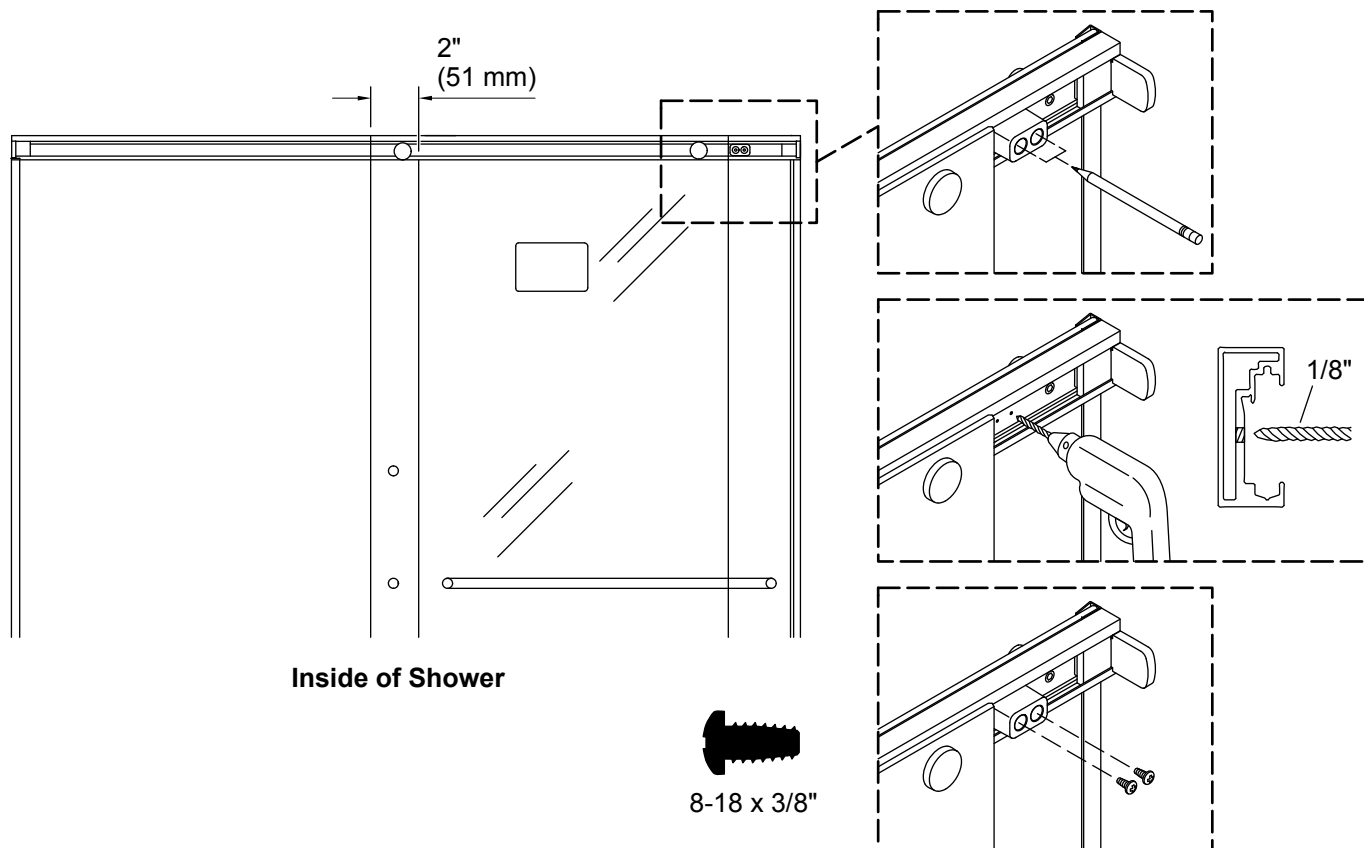
## 19. Install the Threshold Cover



**⚠ WARNING: Risk of serious injury.** Always wear safety glasses while cutting and drilling.

- Measure from the edge of the fixed panel to the open side bumper and mark the measurement on the threshold cover.
- Using a hand saw, cut the threshold cover at the marked line.
- Orient the flap on the cover toward the inside of the shower, and press into the groove of the threshold.

## 20. Install the Top Bumper

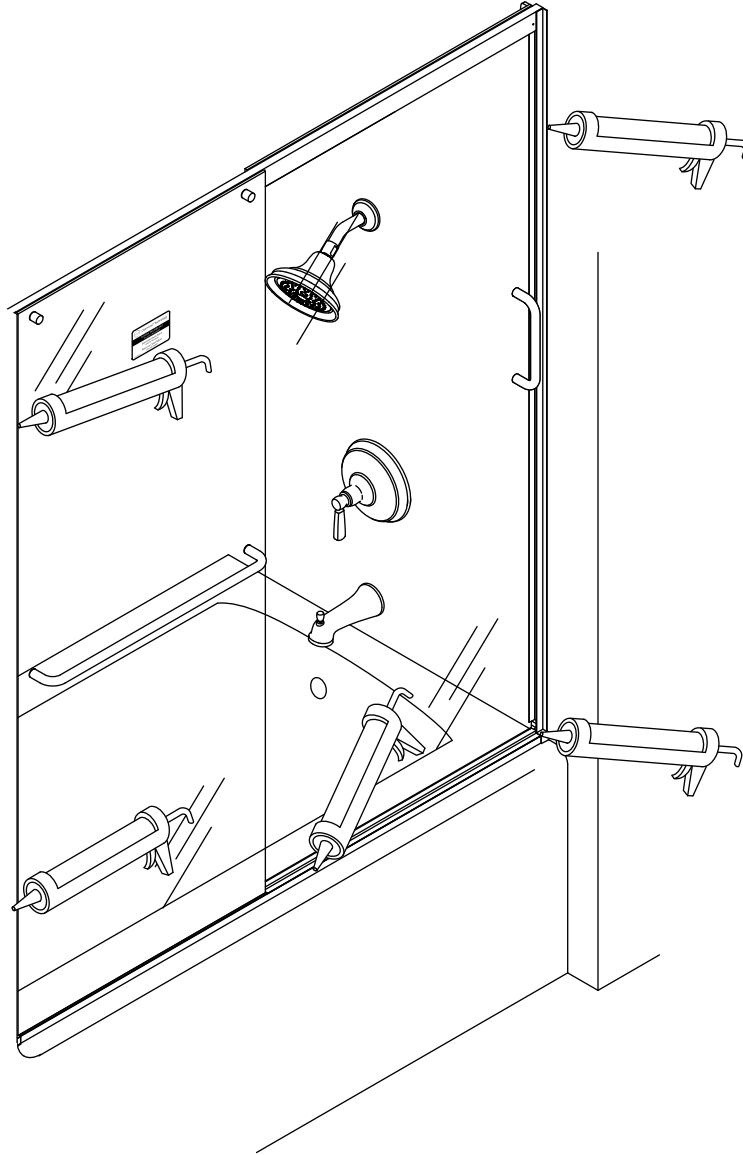


**NOTE:** The top bumper is required for 54" (1372 mm), 66" (1676 mm), and 72" (1829 mm) door sizes. Install the top bumper if supplied. If not supplied, proceed to the next section.

- Slide the door open until the edge of the sliding panel is 2" (51 mm) from the edge of the fixed panel.
- From inside the shower, slide the bumper along the header until it contacts the edge of the sliding panel.
- Mark the two screw hole locations.
- Remove the bumper and drill a 1/8" hole at each of the marked locations. **Only drill through the inside wall of the header.**
- Place the bumper back on the inside of the header and secure with two 8-18 x 3/8" screws (provided).

## 21. Complete the Installation

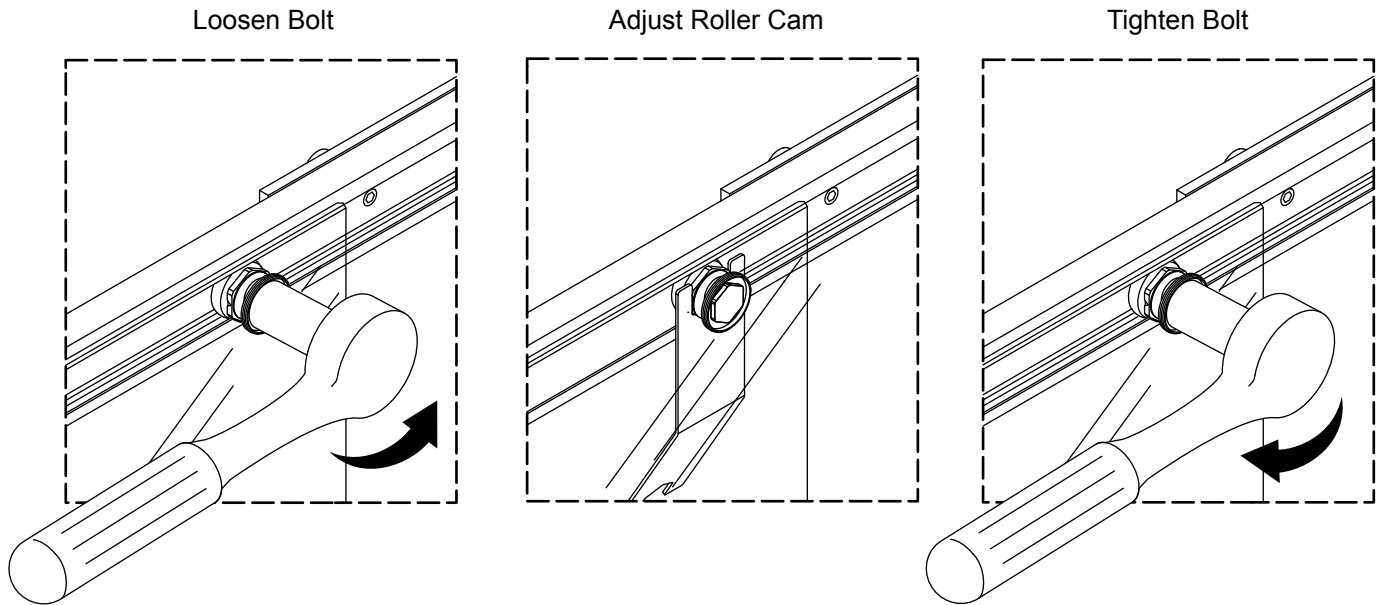
---



- Apply 100% silicone sealant along the vertical wall seals outside the shower/bath.
- Apply 100% silicone sealant along the outside edge of the threshold.
- Install the handle to the sliding panel using the separate instructions provided.

## Panel Adjustment and Maintenance

---



**NOTICE:** The panels may require adjustment to ensure that they touch the top and bottom bumpers in the proper closed position.

- To adjust the panels, loosen the roller bolt with a 3/4" socket wrench. **Do not over-loosen!**
- Adjust the alignment of each end of the panel by turning the roller with the provided wrench.
- Continue until the door operates smoothly, aligns evenly with the shower walls, and the door panels make contact with the top and bottom bumpers at the same time.
- When complete, securely tighten the two roller bolts.

### Maintenance

- Check roller tightness annually.
- Retain the provided wrench for future adjustment or retightening.

# Troubleshooting

This troubleshooting guide is for general aid only. For service and installation issues or concerns, call 1-800-4KOHLER.

Symptoms	Probable Cause	Recommended Action
1. The door is noisy when opened or closed.	<p><b>A.</b> The bracket may be installed too far out of level.</p> <p><b>B.</b> The door panels are too low, rubbing on the base of the centerguide or the shower base/bath ledge.</p> <p><b>C.</b> The rollers are loose.</p> <p><b>D.</b> The rollers are worn and are noisy.</p> <p><b>E.</b> There is debris in the roller track.</p>	<p><b>A.</b> Remove the panels and headers, and level the bracket. If the bracket cannot be leveled, call the Customer Care Center.</p> <p><b>B.</b> Adjust the rollers to raise the door panels. Refer to the "Panel Adjustment and Maintenance" section.</p> <p><b>C.</b> Tighten the roller bolts using the necessary tools and provided wrench.</p> <p><b>D.</b> Replace the rollers.</p> <p><b>E.</b> Remove the door panel and clean out the roller track with compressed air or a clean cloth. Verify no debris is on the rollers.</p>
2. The door is hard to move or does not open.	<p><b>A.</b> The door panels are too low, rubbing on the base of the centerguide or the shower base/bath ledge.</p> <p><b>B.</b> The headers are not secured to the brackets.</p> <p><b>C.</b> The rollers are loose.</p>	<p><b>A.</b> Adjust the rollers to raise the door panels. Refer to the "Panel Adjustment and Maintenance" section.</p> <p><b>B.</b> Verify that the header is secured to the cleats with the provided 8-32 x 3/8" self-drilling screw.</p> <p><b>C.</b> Tighten the roller bolts using the necessary tools and provided wrench.</p>
3. The door panels are free to swing in and out of the shower.	<p><b>A.</b> The centerguide is not installed.</p> <p><b>B.</b> The centerguide is not installed in the correct location.</p> <p><b>C.</b> The door panels are not correctly installed on the centerguide.</p> <p><b>D.</b> The door panels are too high.</p>	<p><b>A.</b> Install the centerguide according to the instructions.</p> <p><b>B.</b> Install the centerguide in the walkthrough opening and aligned with the edge of the fixed panel.</p> <p><b>C.</b> The glass panels should be positioned in the channels of the centerguide.</p> <p><b>D.</b> Adjust the rollers to lower the panels. Refer to the "Panel Adjustment and Maintenance" section.</p>
4. The centerguide is loose.	<p><b>A.</b> The centerguide screw is not tightened.</p>	<p><b>A.</b> Handtighten the screw with a 5/32" hex wrench, then tighten an additional one half turn.</p>

Symptoms	Probable Cause	Recommended Action
<p>5. Water leaks.</p>	<p><b>A.</b> Water leaks under the threshold.</p> <p><b>B.</b> Water leaks under a door panel.</p> <p><b>C.</b> Water leaks under a door panel.</p> <p><b>D.</b> Water leaks around the wall seal.</p> <p><b>E.</b> Water leaks around the wall seal.</p> <p><b>F.</b> Water leaks at the bottom of the wall seal and over the threshold.</p> <p><b>G.</b> Water leaks between the wall and wall seal.</p>	<p><b>A.</b> Apply 100% silicone sealant to the outside edge of the threshold. Allow the sealant to cure according to the manufacturer’s instructions before using the shower.</p> <p><b>B.</b> Adjust the rollers to lower the door panels closer to the shower base/bath ledge. Refer to the “Panel Adjustment and Maintenance” section.</p> <p><b>C.</b> Check the height of the header. The top of the header should be aligned with the top of the wall seals.</p> <p><b>D.</b> Adjust the door panel so the panel touches both the top and bottom bumpers. Try not to spray water directly onto the door panels.</p> <p><b>E.</b> Install the sliding panel seal on the moving panel and locate it between the top and bottom bumpers. Make sure that the sliding panel seal aligns with the top of the bottom bumper.</p> <p><b>F.</b> If there is a gap between the bottom of the wall seal and the top of the threshold and bottom bumpers, silicone this area.</p> <p><b>G.</b> Apply 100% silicone sealant where the wall meets the wall jamb, both inside and outside the shower. Allow the sealant to cure according to the manufacturer’s instructions before using the shower.</p>
<p>6. The handle hits the fixed panel when the door is opened.</p>	<p><b>A.</b> The extra top bumper was not located correctly or it is moved.</p>	<p><b>A.</b> Set the extra top bumper in the correct location according to the instructions.</p>