

**CAUTION:** Read instructions carefully and turn electricity off at main circuit breaker panel before beginning installation.

## 300084

\*\*\*\*\*

**WARNING -** If any Special Control Devices are used with this Fixture, Follow the Instructions Carefully to assure full compliance with N.E.C. requirements. If there are any questions, contact a Qualified Electrical Contractor.

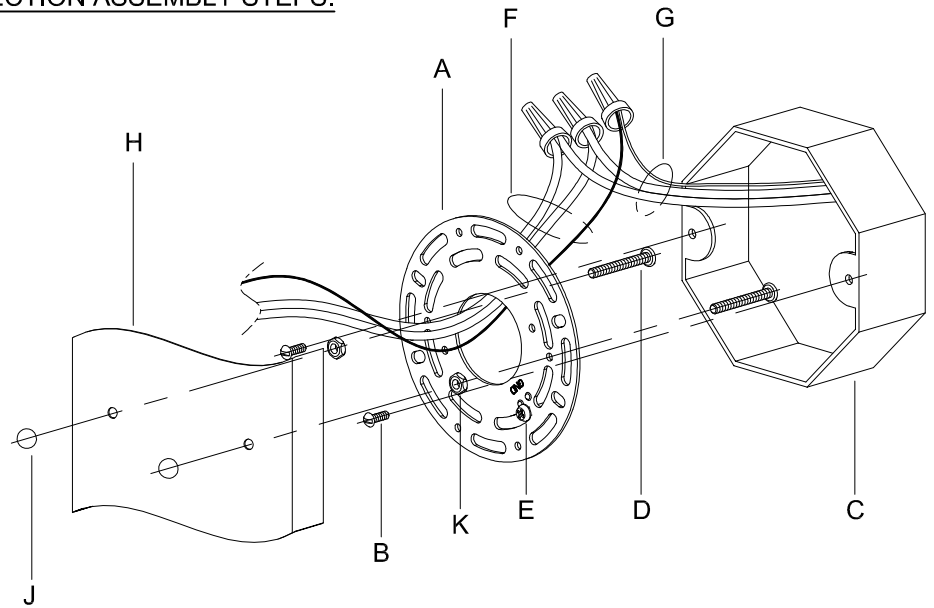
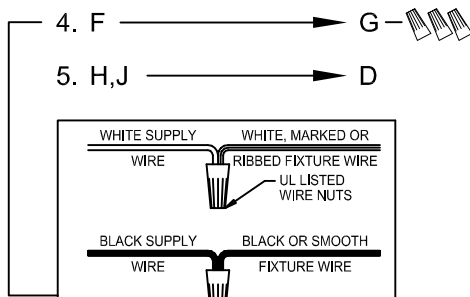
**WARNING -** This product contains chemicals known to the State of California to cause cancer, birth defects and /or other reproductive harm. Thoroughly wash hands after installing, handling, cleaning, or otherwise touching this product.

**CAUTION -** All glass is fragile, use care when handling Glass component(s) and or Lamp(s).

\*\*\*\*\*

### CANOPY MOUNTING & WIRE CONNECTION ASSEMBLY STEPS:

1. D,E → A
2. K → D
3. B,A → C
4. F → G
5. H,J → D

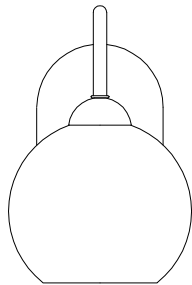


\*\*\*\*\*

### FIXTURE ASSEMBLY STEPS:

1. M,N → L
2. P → L

**B, C, G & P  
(NOT FURNISHED)  
(NON FOURNIE)  
(NO INCLUIDA)**



P300084

