





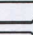
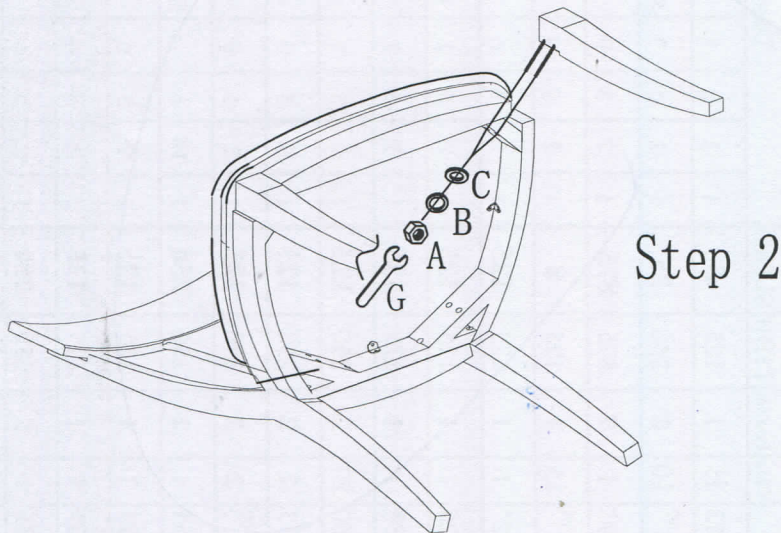
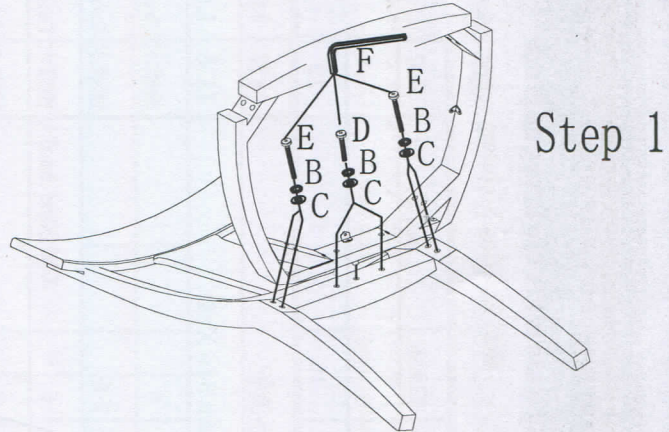


A		5/16" x 12.5 x 8.5mm	4Pcs
B		5/16	10Pcs
C		5/16 x 19mm	10Pcs
D		5/16 x 45mm	2Pcs
E		5/16 x 89mm	4Pcs
F		4mm	1Pc
G			1Pc



Assemble the chair on soft and clean surface to prevent scratching

Step 1: Assemble the back frame and the chair seat together with Bolt (E, D), Lock Washer (B) and Flat washer (C) using Wrench (F).

Step 2: Assemble the front legs to the chair with Nut (A), Lock Washer (B) and Flat washer (C) using Wrench (G). Do not tighten nuts completely.

Step 3: Set the chair upright on a flat surface. Adjust front legs so all four chair legs touch the floor, tighten nuts completely on front legs. (The seat cushion may need to be loosen to adjust front legs).

