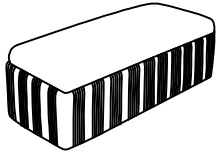


ASSEMBLY INSTRUCTION

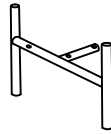
BENCH

A Bench Body



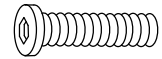
1pc

B Base



2pcs

C Bolt
Ø1/4"x1-1/2"



8pcs

D Lock Washer
Ø1/4"



8pcs

E Flat Washer
Ø1/4"

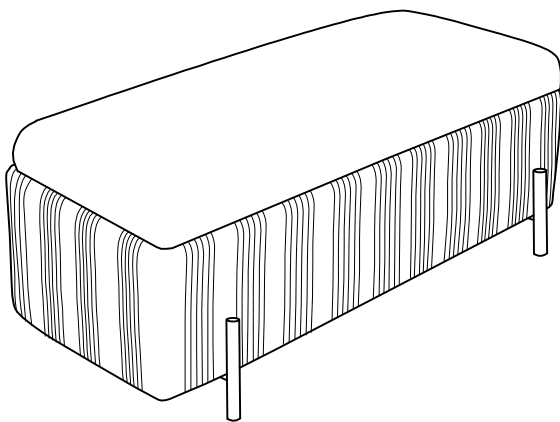


8pcs

F Allen Key
M4



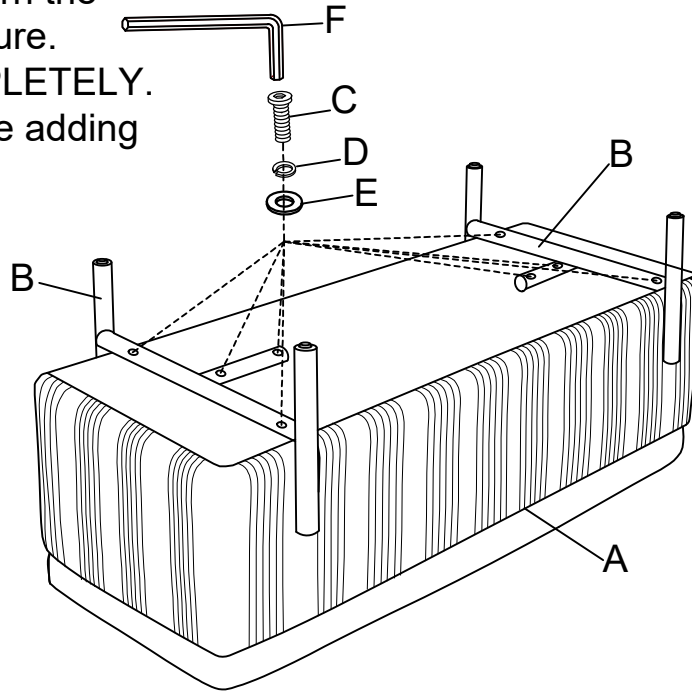
1pc



This page lists all the contents included in the box. Please take the time to identify the hardware as well as the individual components to this product. As you unpack and prepare for assembly, place the contents on a carpeted or padded area to protect them from damage.

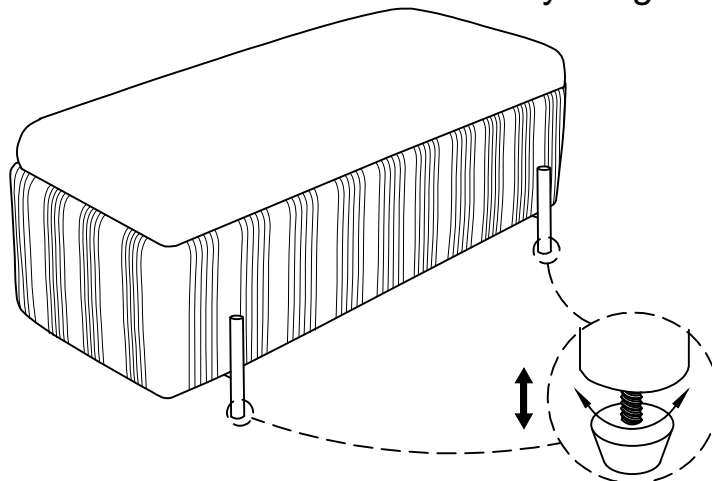
1 Attach Base (B) to Bench Body (A) using Bolt (C), Flat Washer (E) and Lock Washer (D) by Allen Key (F) as below shown.

Take the Allen Key, and turn the bolts until the legs are secure. **DO NOT TIGHTEN COMPLETELY.** Stop when you feel you are adding force to tighten the bolt.



Stand chair up on an even surface and check that it is balanced. If there is a slight wobble, apply downward pressure in the corner where a leg is uneven. Keeping pressure in that corner, tighten all bolts. If balanced, apply downward pressure evenly in the center and tighten all bolts. Do not over-tighten beyond hole depth.

Helpful Tip: -Instead of applying downward pressure while reaching under to tighten bolts, have someone sit in the bench while you tighten the bolts.



Leveler
Turn left or turn right to adjust the leveler until the bench is stabilized.

Cleaning & Care

Treat surface with care. Surface is resistant to scratches but is not scratch resistant. Clean surfaces with a dry or damp soft cloth. Do not use abrasive cleaners. Hardware may loosen over time. Periodically check that all connections are tight.