

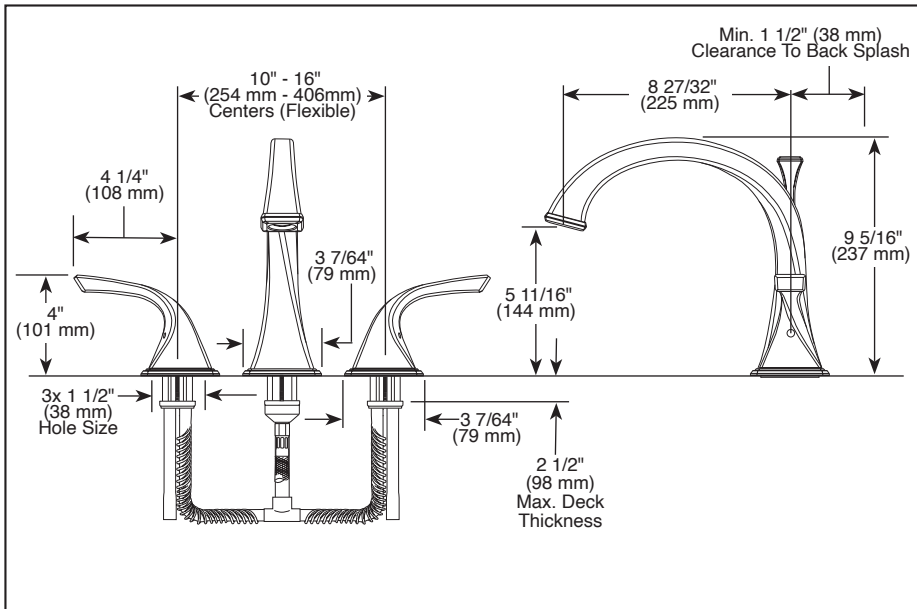
BRIZO®

ROMAN TUB FAUCET

- Virage® Collection
- Two-Handle Roman Tub Valve
- Trim Only
- Flexible Deck or Ledge Mount

STANDARD SPECIFICATIONS:

- Three hole installation
- Trim only for two handle roman tub faucet for concealed mounting
- Valve mechanism shall be of the rotating cylinder type with 180° rotation
- Ceramic disc valving
- Hot and cold stem units shall be interchangeable
- All operating parts shall be replaceable from the top
- Rough-In kit required to complete installation, sold separately (R62707). Separate specification sheet available for rough-in kit.
- For thick deck application-rough installed before mud and tile



▲ Designate proper finish suffix

WARRANTY

- Parts and Finish - Lifetime limited warranty; or for commercial purchasers, 10 years for multi-family residential (apartments and condominiums) and 5 years for all other commercial uses, in each case from the date the product is received by the original purchaser or their authorized representative (installation contractor, etc.).
- Please go to www.brizo.com for the complete details of our limited warranty.

COMPLIES WITH:

- ASME A 112.18.1 / CSA B125.1
- ♿ ICC/ANSI A117.1 - Valve control only

Brizo Kitchen & Bath Company reserves the right (1) to make changes in specifications and materials, and (2) to change or discontinue models, both without notice or obligation. Dimensions are for reference only. See current full-line price book or www.brizo.com for finish options and product availability.

BSP-B-T67330 Rev. F

Brizo Kitchen & Bath Faucet Company

55 E. 111th Street, Carmel, IN 46280
 350 South Edgeware Road, St. Thomas, ON N5P 4L1
 © 2025 Brizo Kitchen & Bath Faucet Company