



Order No. X-GBF1000-PRO
Model No. GBF1000-PRO

Notes:

Section 10309 - Manufactured Electric Fireplaces

PART 1 GENERAL

1.1 SECTION INCLUDES

- A. Manufactured electric fireplaces.
- B. Accessories

1.2 RELATED SECTIONS

- A. Section 06100 - Rough Carpentry: Wood framed rough opening and enclosure.

1.3 REFERENCES

- A. UL - 2021
- B. CSA - C22.2 No. 46

1.4 SUBMITTALS

- A. Submit under provisions of Section 01300.
- B. Product Data: Manufacturer's data sheets on each product to be used, including:
 - 1. Preparation instructions and recommendations.
 - 2. Storage and handling requirements and recommendations.
 - 3. Installation methods.
- C. Manufacturer's Certificates: Certify products meet or exceed specified requirements.
- D. Manufacturer's warranty.

1.5 DELIVERY, STORAGE, AND HANDLING

- A. Store products in manufacturer's unopened packaging until ready for installation.
- B. Protect materials from exposure to moisture. Do not deliver until after wet work is complete and dry.

1.6 WARRANTY

- A. Provide the manufacturer's 2-year limited warranty on electrical components.

PART 2 PRODUCTS

2.1 ACCEPTABLE MANUFACTURERS

- A. Pre-fabricated Electric Fireplace:
 - 1. Base: Dimplex Electric Fireplace
Glen Dimplex Americas
1367 Industrial Road
Cambridge ON N3H 4W3
1-888-346-7539
www.dimplex.com
 - 2. Substitutions not permitted
 - 3. Requests for substitutions will be considered in accordance with provisions of Section 01600.



Order No. X-GBF1000-PRO
Model No. GBF1000-PRO

Notes:

Section 10309 - Manufactured Electric Fireplaces

2.2 ELECTRIC FIREPLACES

A. General:

1. Provide all components and accessories required for a complete, functional unit.
2. UL or CSA listed.

B. Pre-fabricated Electric Fireplace:

1. Base Product:

- a) Dimplex Electric Fireplace, includes:
- b) Material Number: CDFI-BX1000, Regulatory model number: 6909910100
- c) Material Number: CDFI1000-PRO, Regulatory model number: 6909660300
- d) Material Number: FG1000

2. Description: Optimyst Pro Box Heater

3. Dimensions (with included trim):

- a) Width: 46-5/8" / 118.4 cm
- b) Height: 31-3/4" / 80.5 cm
- c) Depth: 16-1/4" / 41.2 cm

4. Framing Dimensions:

- a) Width: 45-1/4" / 115.2 cm
- b) Height: 32-3/8" / 82.0 cm
- c) Depth: 14-3/4" / 37.3 cm

5. Electrical:

- a) Volts: 120 V
- b) Watts: 1000 W
- c) Amps: 8.33

6. Venting: Non-venting

CAUTION: When determining a location for the Opti-myst Pro Box, ensure that the unit will not be susceptible to drafts, vents, ceiling fans and other air currents. Similar to a candle, large movements of air will affect the unit's ability to create and maintain the flame effect. An optional glass pane can be purchased to complete the look, and/or address airflow concerns.

7. Operation: Flame only, flame and heat

8. Heating: Fan-forced heater

9. Standard features:

- a) Patented 3D flame effect produced by LED lights and fine mist
- b) Optional plumbing connection for continuous water supply
- c) Overflow sensor to automatically shutting off water supply to prevent leaks
- d) Adjustable flame volume control
- e) Safe, cool-touch surfaces, ideal for residential and commercial applications



Order No. **X-GBF1000-PRO**
Model No. **GBF1000-PRO**

Notes:

Section 10309 - Manufactured Electric Fireplaces

- f) Front glass used for single sided applications where drafts may be a concern. Use along with optional Rear Glass Pane for see-through installations
- 11. Control options:
 - a) Direct wired to 120V circuit
 - b) Multi-functional remote
 - c) Bluetooth receiver with manual controls
 - d) Built-in controls
- 12. Optional Accessories:
 - a) Log kit media – CDFILOG-KIT
 - b) Driftwood Media Kit – CDFI1000-DWSKIT
 - c) River Rock Media Kit – CDFI1000-RVRCK
 - d) Black Rock Media Kit – CDFI1000-BLKRCK
 - e) Rear glass pane, use with FG1000 for see-through design – GBF1000-GLASS
 - f) Plumb kit for continuous water supply – CDFIPLUMB-KIT

PART 3 EXECUTION

3.1 INSPECTION

- A. Do not begin installation until substrates have been properly prepared.
- B. If substrate preparation is the responsibility of another installer, notify Architect of unsatisfactory preparation before proceeding.
- C. Verify proper power supply and fuel source are available.

3.2 PREPARATION

- A. Clean surfaces thoroughly prior to installation.
- B. Prepare surfaces using the methods recommended by the manufacturer for achieving the best result for the substrate under the project conditions.

3.3 INSTALLATION

- A. Install in accordance with manufacturer's instructions and requirements of authorities having jurisdiction.
- B. Use manufacturer's guidelines for minimum clearances to combustibles, walls, and finishes.
- C. Anchor all components firmly in position for long life under hard use.
- D. Upon completion of installation, visually inspect all exposed surfaces. Touch up scratches and abrasions with touch up paint recommended by the manufacturer; make imperfections invisible to the unaided eye from a distance of 5 feet (1.5 m).
- E. To use the mobile app, install where a WiFi connection is available.

3.4 PROTECTION

- A. Protect installed products until completion of project.
- B. Touch-up, repair or replace damaged products before Substantial Completion.

END OF SECTION

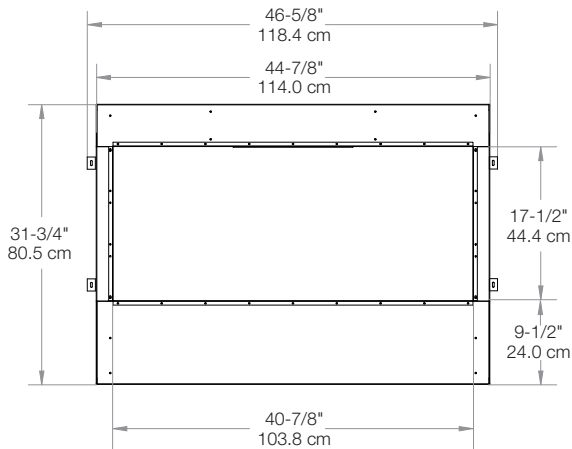


Order No. **X-GBF1000-PRO**
Model No. **GBF1000-PRO**

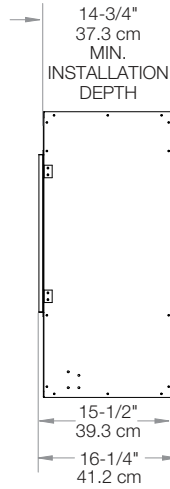
Notes:

Product Dimensions:

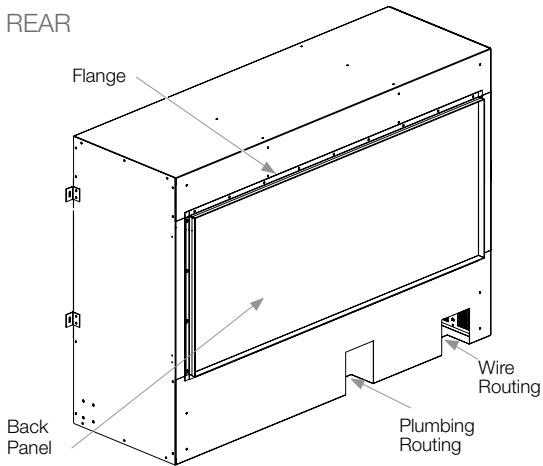
FRONT



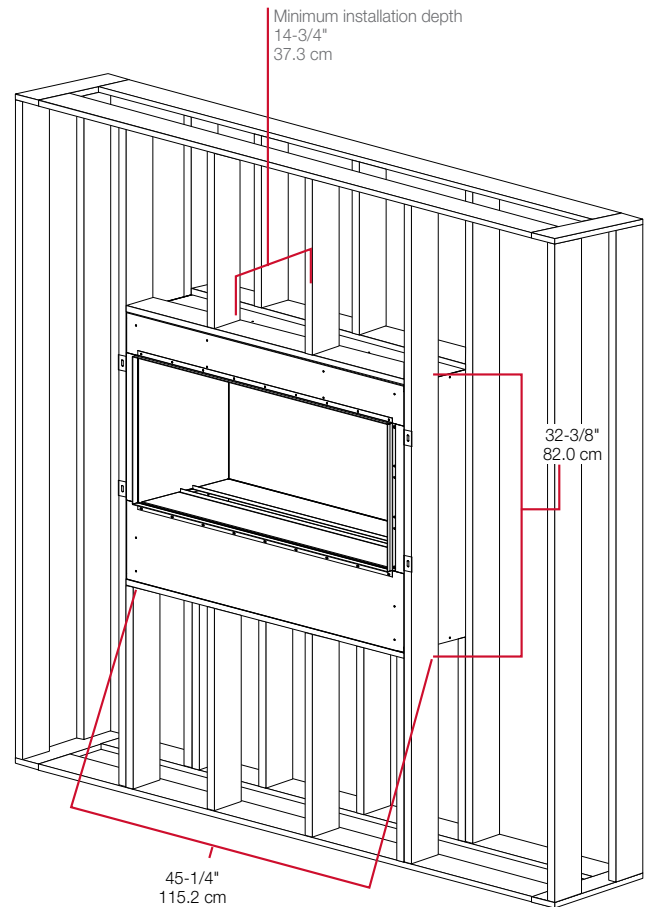
SIDE



REAR



Framing Dimensions:



Bluetooth Receiver

Must be connected for operation.
Can be recessed inside the wall or installed for remote control accessibility.