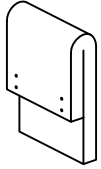


ASSEMBLY INSTRUCTIONS

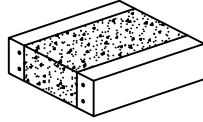
SMALL BENCH

A Bench Side Armrest



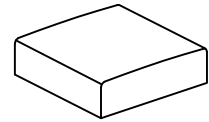
2 PCS

B Support Base



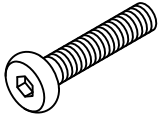
1 PC

C Cushion



1 PC

D Bolt
5/16" x 1-3/4"



8 PCS

E Spring Washer
5/16"



8 PCS

F Flat Washer
5/16"

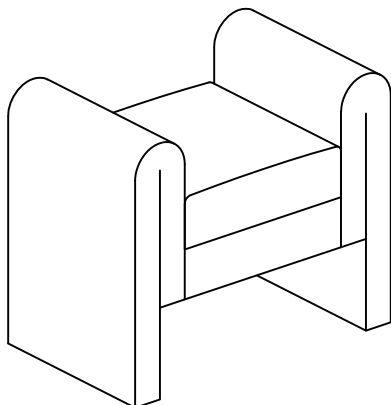


8 PCS

G Allen Key
M5

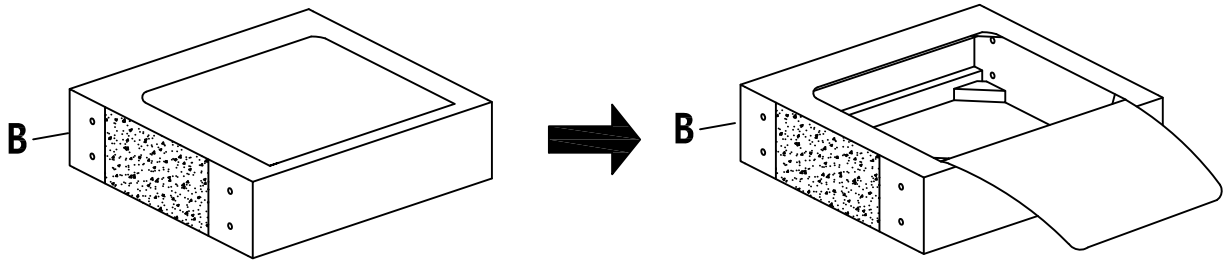


1 PC



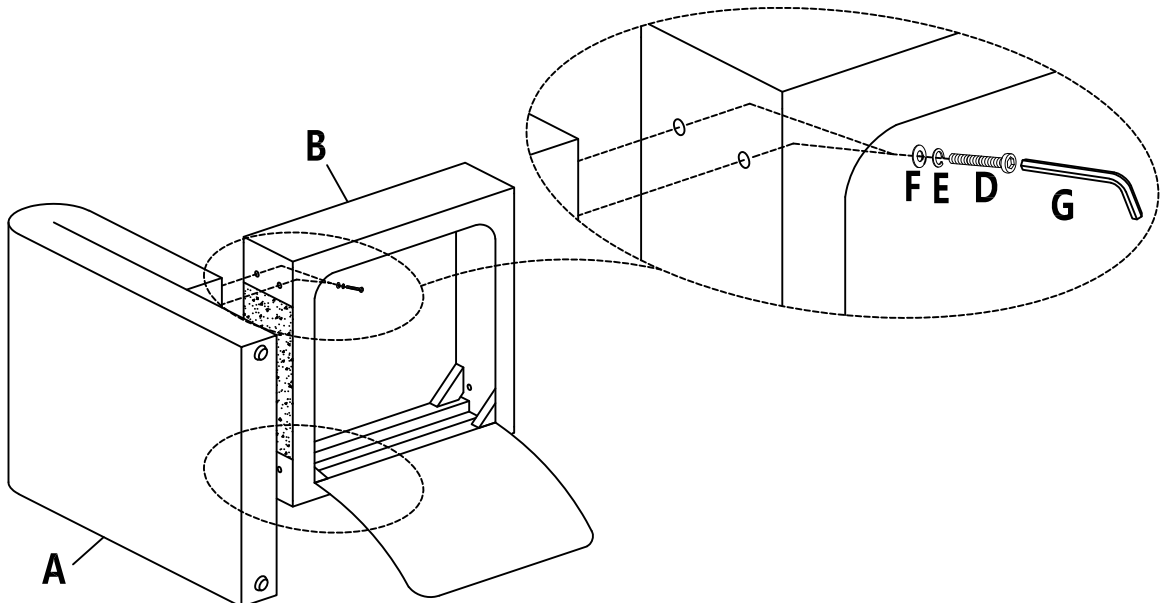
This page lists all the contents included in the box. Please take the time to identify the hardware as well as the individual components to this product. As you unpack and prepare for assembly, place the contents on a carpeted or padded area to protect them from damage.

- 1 Place the Support Base (B) face down on a clean, non-marring surface, and open the zipper.



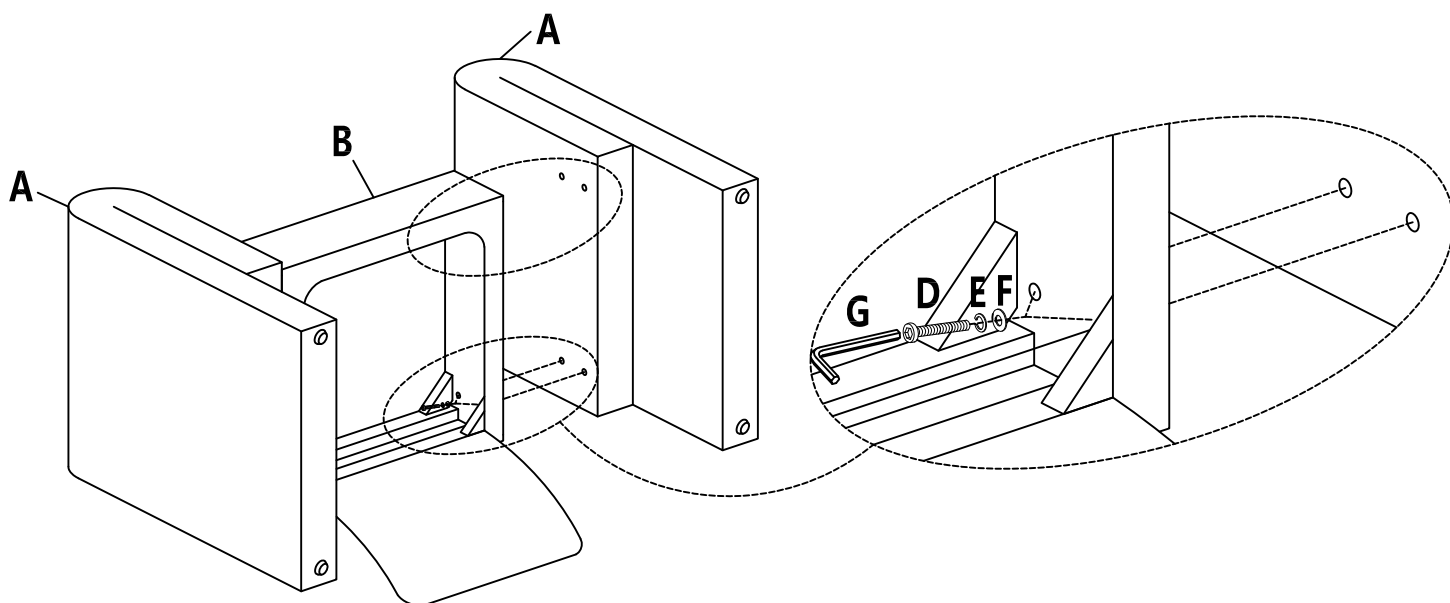
- 2 Attach the Support Base (B) to the Bench Side Armrest (A) using Bolt (D), Spring Washer (E) and Flat Washer (F) with Allen Key (G).

Note: Do not fully tighten the bolts at this step.

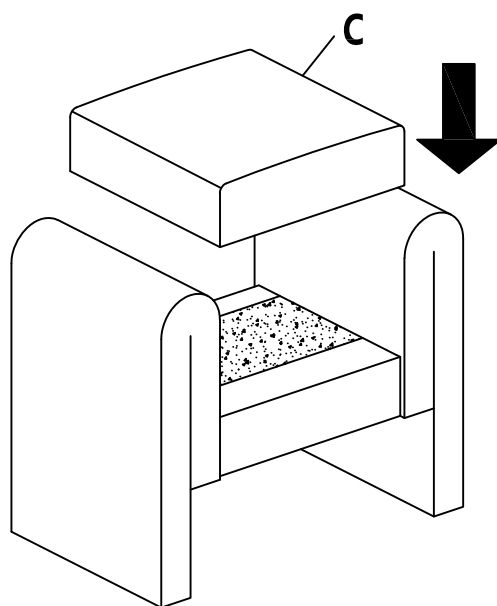


3 Attach the other Bench Side Armrest (A) to the opposite side of the Support Base (B) using Bolt (D), Spring Washer (E) and Flat Washer (F) with Allen Key (G).

Note: Fully tighten the bolts at this step.



4 Stand the Bench upright. Place the Cushion (C) onto the Support Base (B).



Cleaning & Care

Treat surfaces with care. Surfaces are resistant to scratches but are not scratch resistant. Clean surfaces with a dry or damp soft cloth. Do not use abrasive cleaners. Hardware may loosen over time. Periodically check that all connections are tight.