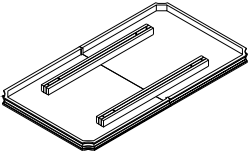
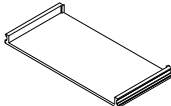

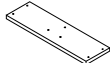
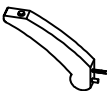









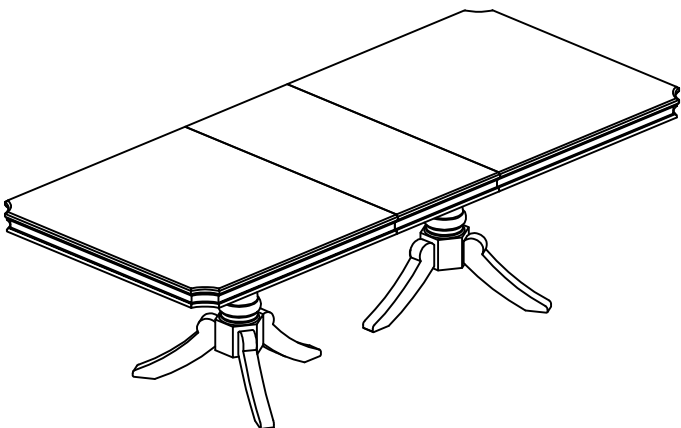


ASSEMBLY INSTRUCTION

2615DC-96 (MTL) 20" LEAF DINING TABLE

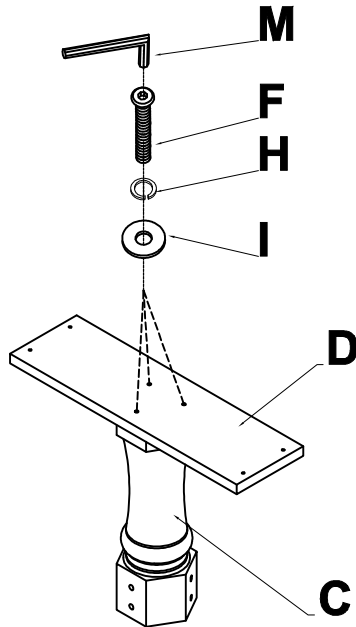
A Table Top	B Table Leaf	C Post	D Mounting Plate
			
1 pc	1 pc	2 pcs	2 pcs
E Leg	F Bolt 5/16"*2"	G Nut 5/16"	H Lock Washer 5/16"
			
6 pcs	6 pcs	6 pcs	12 pcs
I Flat Washer 5/16"	J Bolt 1/4"*2"	K Lock Washer 1/4"	L Flat Washer 1/4"
			
12 pcs	8 pcs	8 pcs	8 pcs
M Allen Wrench	N Open Wrench		
			
1 pc	1 pc		



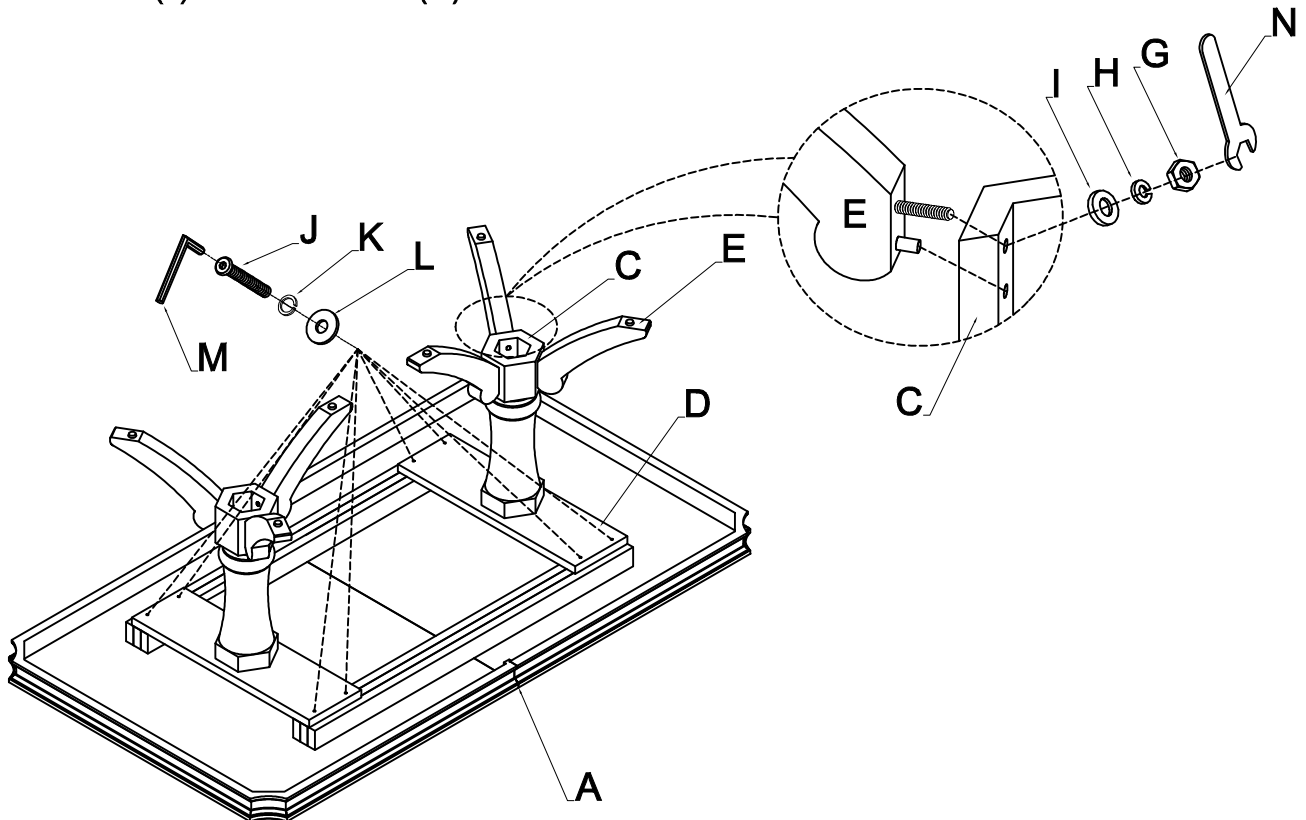
This page lists all the contents included in the box. Please take the time to identify the hardware as well as the individual components to this product. As you unpack and prepare for assembly, place the contents on a carpeted or padded area to protect them from damage.

1

Place the post(C) upside down smooth carpet surface. Tighten the post (C) and mounting plate(D) by bolts(F), lock washers(H) and flat washers(I) with allen wrench(M).

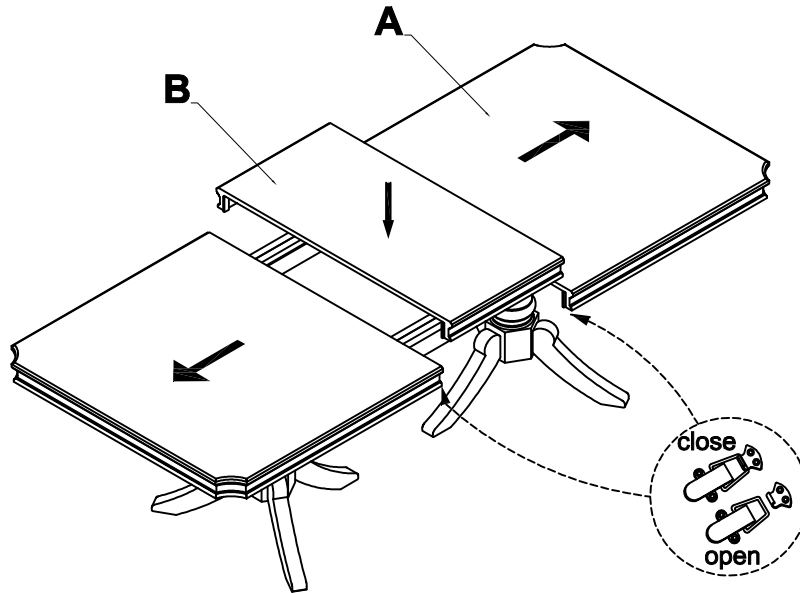
**2**

Tighten the leg (E) and post (C) by nut(G), lock washers(H) and flat washers(I) with open wrench (N). Tighten the mounting plate(D) and table top (A) by bolts(J), lock washers(K) and flat washers(L) with allen wrench(M).



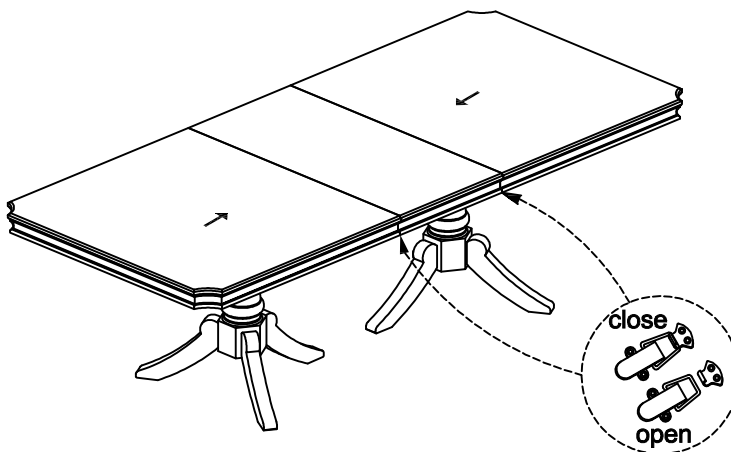
3

Open the under table locker, open the table top(A), put the left(B) on the slides.



4

Close the table locker.



Cleaning & Care

Treat surface with care. Surface is resistant to scratches but is not scratch resistant. Clean surfaces with a dry or damp soft cloth. Do not use abrasive cleaners. Hardware may loosen over time. Periodically check that all connections are tight.