

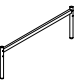
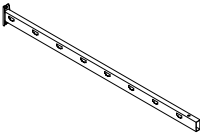
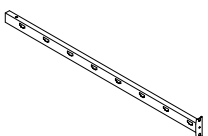
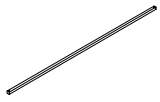
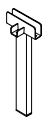
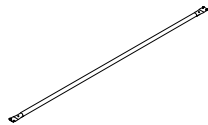
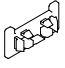
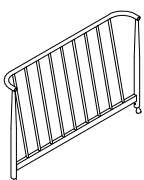





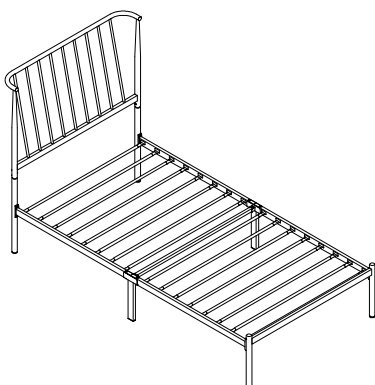


ASSEMBLY INSTRUCTION

METAL TWIN BED

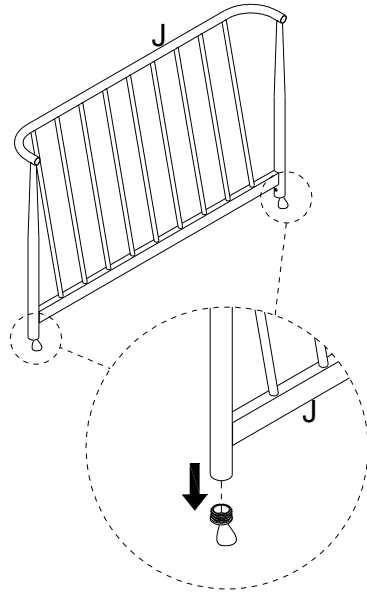
A LSF Headboard Post	B RSF Headboard Post	C Footboard	D Front Rail Section
			
E 1PC Rear Rail Section	F 1PC Center Support Bar	G 1PC Rail Support Leg	H 2PCS Slat
			
I 2PCS Slat Connector	J 1PC Headboard	K 2PCS Bolt 1/4" x 17.5mm	L 16PCS Bolt 5/16" x 19mm
			
M 32PCS Bolt 5/16" x 48mm	N 1PC Bolt 1/4" x 35mm	O 6PCS L-Allen Key 4mm	8PCS
			
4PCS	2PCS	1PC	



This page lists all the contents included in the box. Please take the time to identify the hardware as well as the individual components to this product. As you unpack and prepare for assembly, place the contents on a carpeted or padded area to protect them from damage.

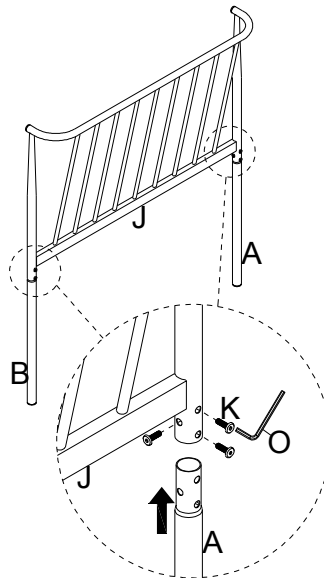
1

Remove the plastic plugs from Headboard (J).



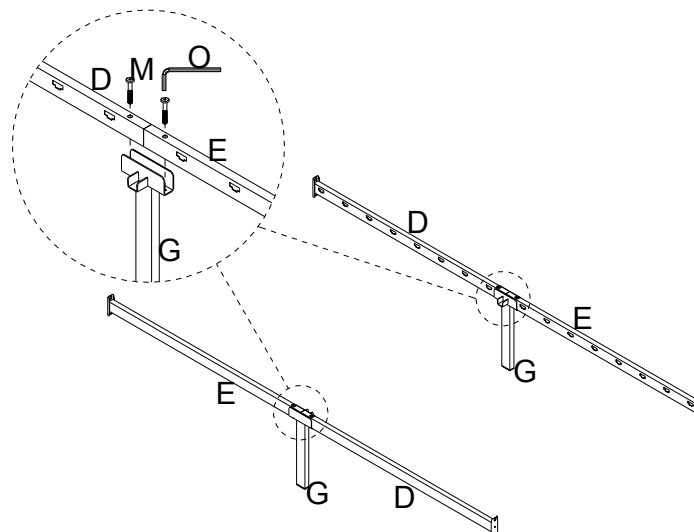
2

Attach LSF & RSF Headboard Post (A & B) to Headboard (J) using Bolt (K) with L-Allen Key (O).



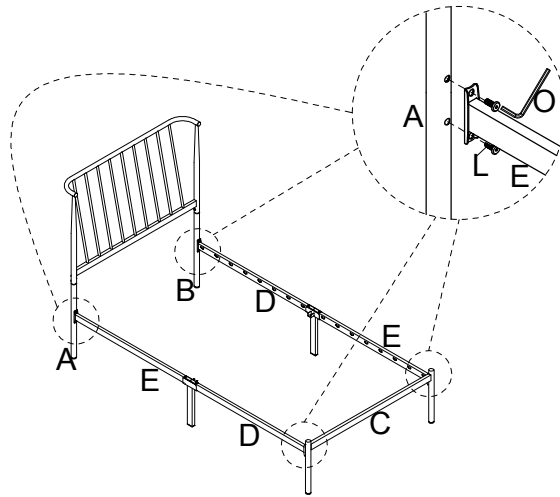
3

Attach Rail Support Leg (G) to Front & Rear Rail Section (D & E) using Bolt (M) with L-Allen Key (O).

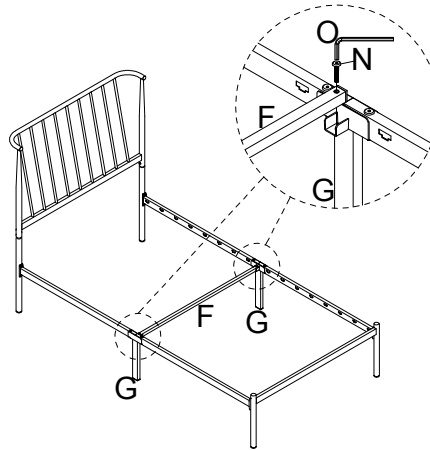


4

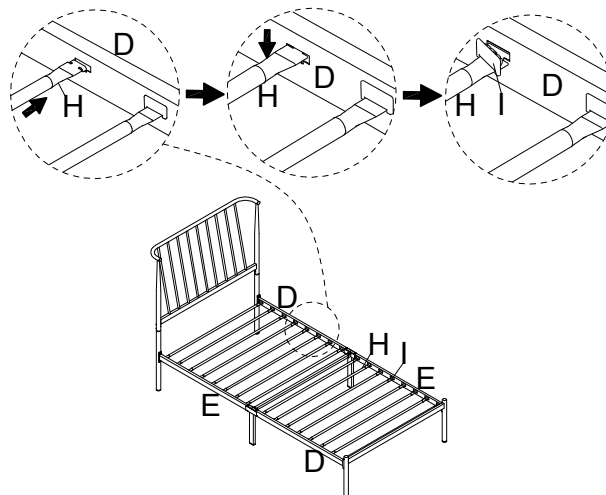
Attach Front & Rear Rail Section (D & E) to LSF & RSF Headboard Post (A & B) and Footboard (C) using Bolt (L) with L-Allen Key (O).

**5**

Attach Center Support Bar (F) to Rail Support Leg (G) using Bolt (N) with L-Allen Key (O).

**6**

Insert Slat (H) into Front & Rear Rail Section (D & E) as shown. Then lock Slat Connector (I) to fix Slat (H).



Cleaning & Care

Treat surfaces with care. Surfaces are resistant to scratches but are not scratch resistant. Clean surfaces with a dry or damp soft cloth. Do not use abrasive cleaners. Hardware may loosen over time. Periodically check that all connections are tight.