

DISCLAIMER

THIS INFORMATION IS PROVIDED AS A GENERAL GUIDE, INCLUDING DIMENSIONS. IT IS THE CUSTOMER'S RESPONSIBILITIES TO SELECT THE PROPER CONTAINER FOR PRODUCT AND APPLICATION COMPATIBILITY.

DISTRIBUTED BY:



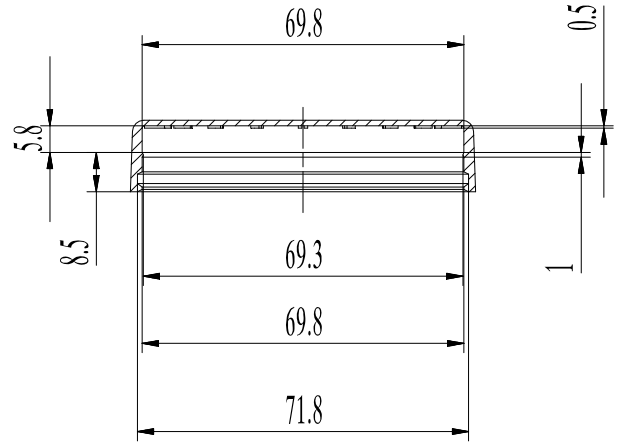
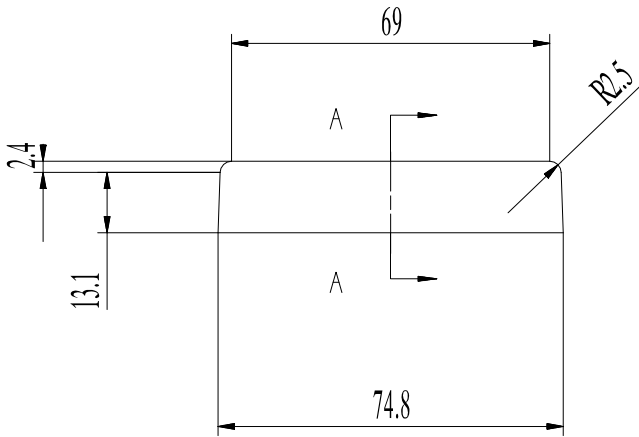
REF NO.:

DWG31397

DESCRIPTION:

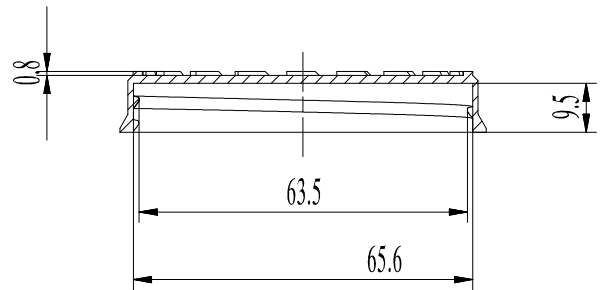
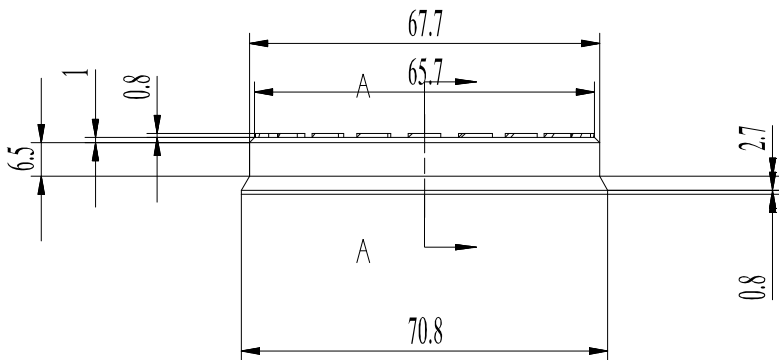
3 oz Glass Straight-Side Jar, 66 mm Opening with CR PE Liner Cap

OUTER CAP



SECTION A - A

INNER CAP



SECTION A - A

DISCLAIMER

THIS INFORMATION IS PROVIDED AS A GENERAL GUIDE, INCLUDING DIMENSIONS. IT IS THE CUSTOMER'S RESPONSIBILITIES TO SELECT THE PROPER CONTAINER FOR PRODUCT AND APPLICATION COMPATIBILITY.

DISTRIBUTED BY:



REF NO.:

DWG31397

DESCRIPTION:

3 oz Glass Straight-Side Jar, 66 mm Opening with CR PE Liner Cap