

Features

- Oval basin creates a spacious bathing experience
- Integral lumbar support and armrests offer extra comfort while bathing
- Textured bottom surface

Material

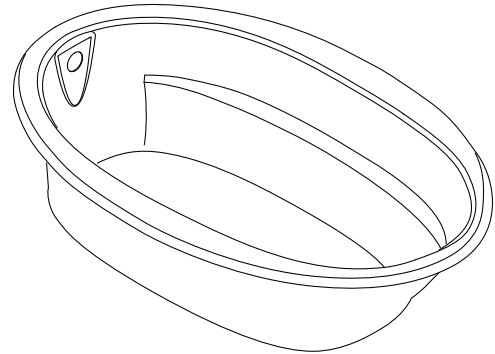
- Acrylic

Installation

- Reversible drain
- Drop-in or undermount
- Smooth backside for easy handling and mounting of drain and overflow

Recommended Products/Accessories

K-738 Under-Mount Install Kit - K-6346/K-6347
K-23726 Drain treatment



Codes/Standards

CSA B45.5/IAPMO Z124


KOHLER® Plastic Baths and Shower Bases Lifetime Limited Warranty

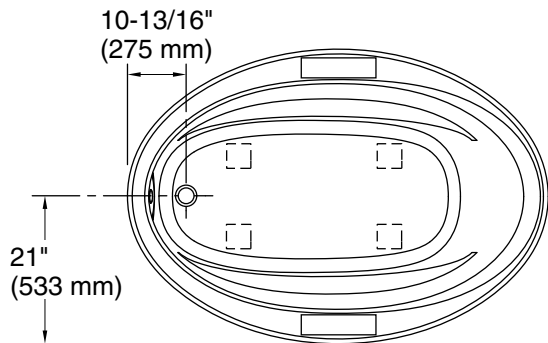
See website for detailed warranty information.

Available Colors/Finishes

Color tiles intended for reference only.

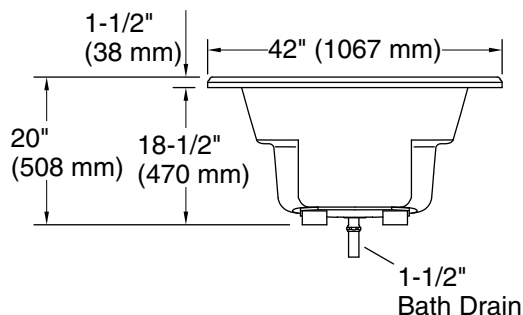
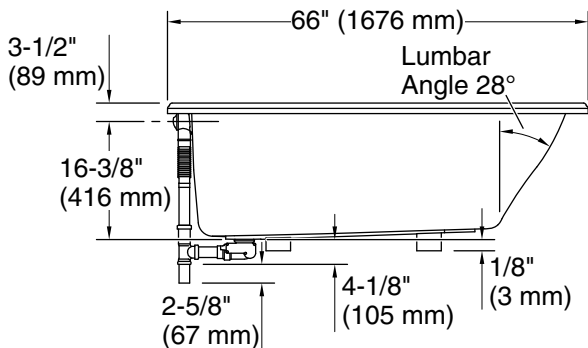
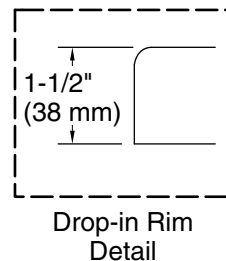
Color	Code	Description
-------	------	-------------

	0	White
---	---	-------



No change in measurements if connected with drain illustrated. (K-37382)

 Recommended Faucet Location



Technical Information

All product dimensions are nominal.

Drain location:	Reversible
Basin area, bottom:	48-5/8" x 24-1/2" (1235 mm x 622 mm)
Basin area, top:	60" x 32-3/16" (1523 mm x 818 mm)
Minimum floor load:	34 lbs/ft ² (166 kg/m ²)
Water depth:	14-5/16" (364 mm)
Water capacity:	70 gal (265 L)
Template:	Drop-in, 1233384-7, not required, included

Notes

Measure your actual product for rough-in details.

Install this product according to the installation instructions.

The hot water supply should be 70% of the capacity of the bath or greater. Installations will vary.

Kit is required for under-mount installations (sold separately).

If installing a rim-mount faucet, make sure there is no interference above or below the deck before drilling any holes.