

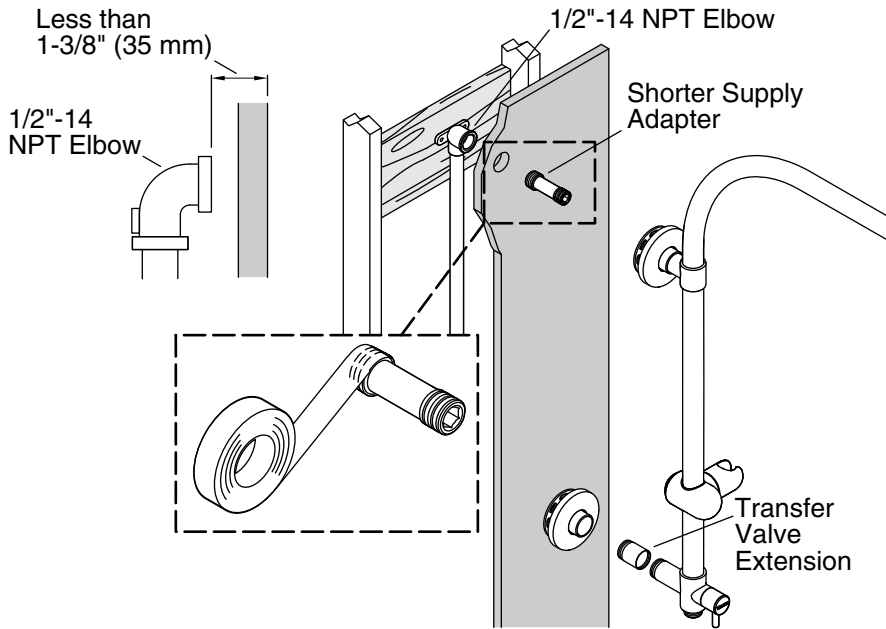
Service Kit Instructions

Shallow Rough-in Kit

Français, page "Français-1"
Español, página "Español-1"

THE BOLD LOOK
OF **KOHLER**®

1188009-9-A



Before You Begin

NOTE: This kit is required if the elbow rough-in depth is less than 1-3/8" (35 mm) from the finished wall surface. Refer to the document supplied with the shower column for complete product installation instructions.

Installation

During the Installation of the Supply Adapter

- Discard the supply adapter that came with the shower column.
- Apply thread sealant tape to the supply adapter provided with this kit.
- Thread the supply adapter into the elbow.

During the Dry Fit of the Shower Column

- Before threading the mounting collar onto the lower bracket (transfer valve), thread the transfer valve extension supplied with this kit onto the lower bracket.