

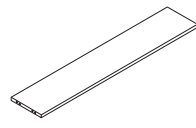
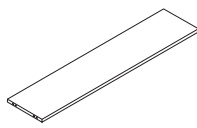
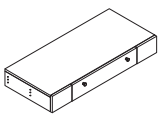
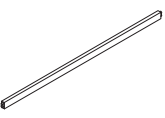
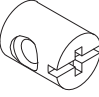
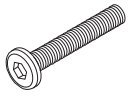
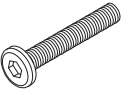
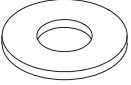

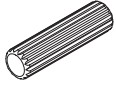




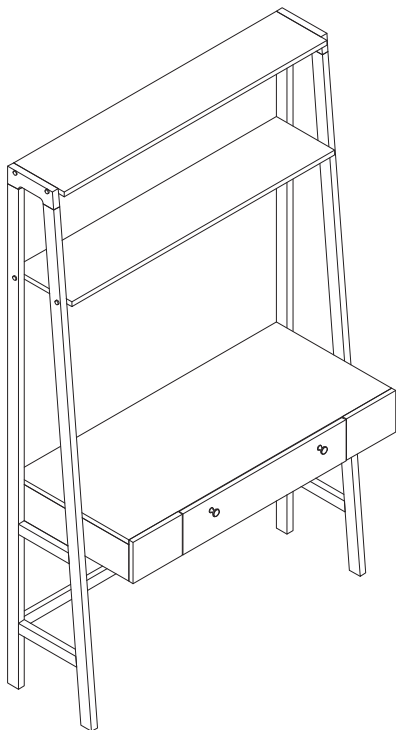


ASSEMBLY INSTRUCTION

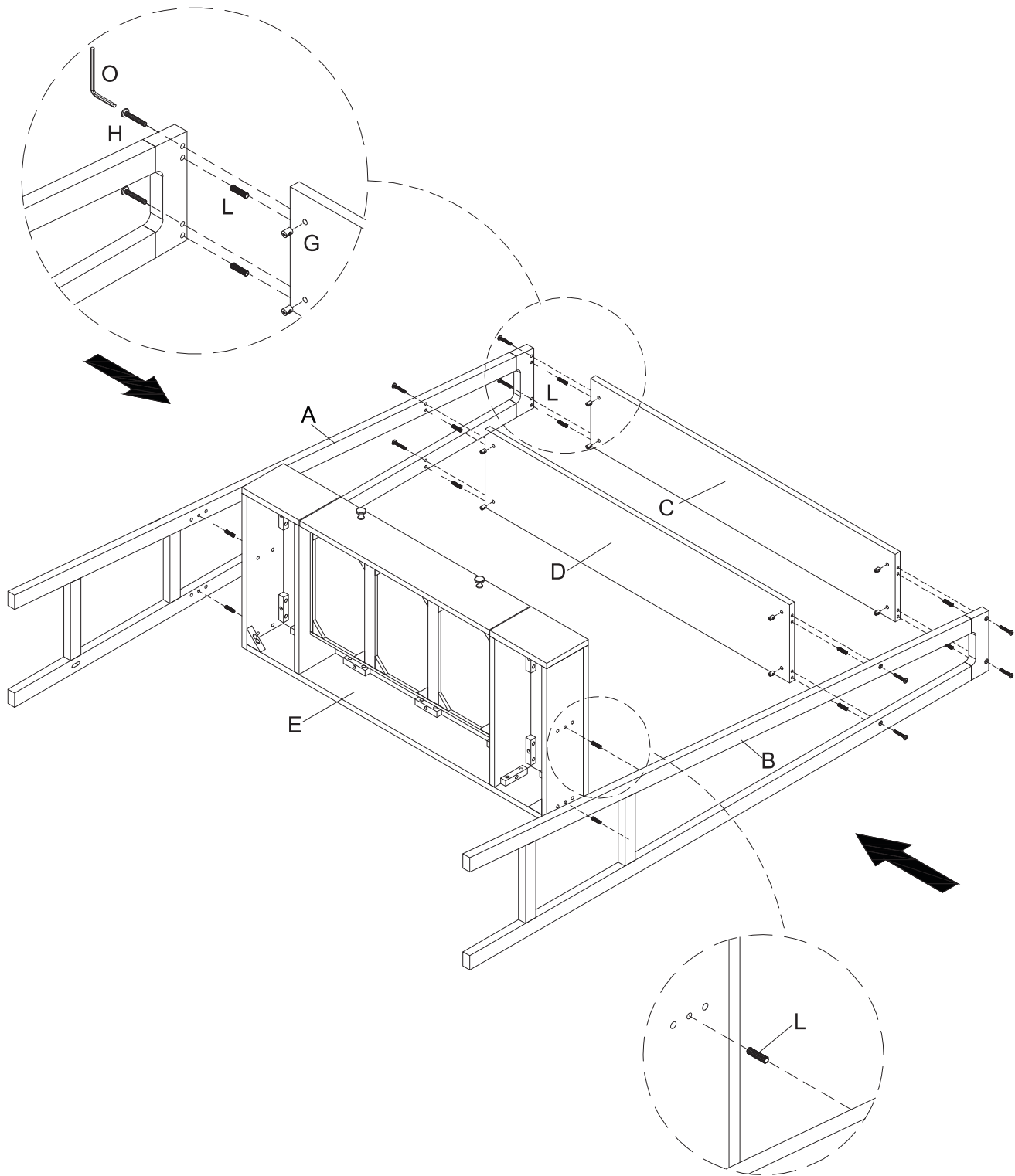
LADDER DESK

A Leg Frame - Left	B Leg Frame - Right	C Shelf - Top	D Shelf - Bottom
 1 PC	 1 PC	 1 PC	 1 PC
E Desk	F Stretcher	G Barrel Nut Ø1/4" x 12mm	H Allen Bolt Ø1/4" x 60mm
 1 PC	 1 PC	 8 PCS	 8 PCS
I Allen Bolt Ø1/4" x 32mm	J Flat Washer Ø1/4" x 16mm	K Lock Washer Ø1/4"	L Wood Dowel Ø8 x 30mm
 8 PCS	 8 PCS	 8 PCS	 12 PCS
M Wooden Button Ø14 x Ø11 x 12mm	N Screw M4 x 30mm	O Allen Key 4mm x 60mm	P Anti-Tipping Kit (With Individual Instruction)
 8 PCS	 2 PCS	 1 PC	 1 SET

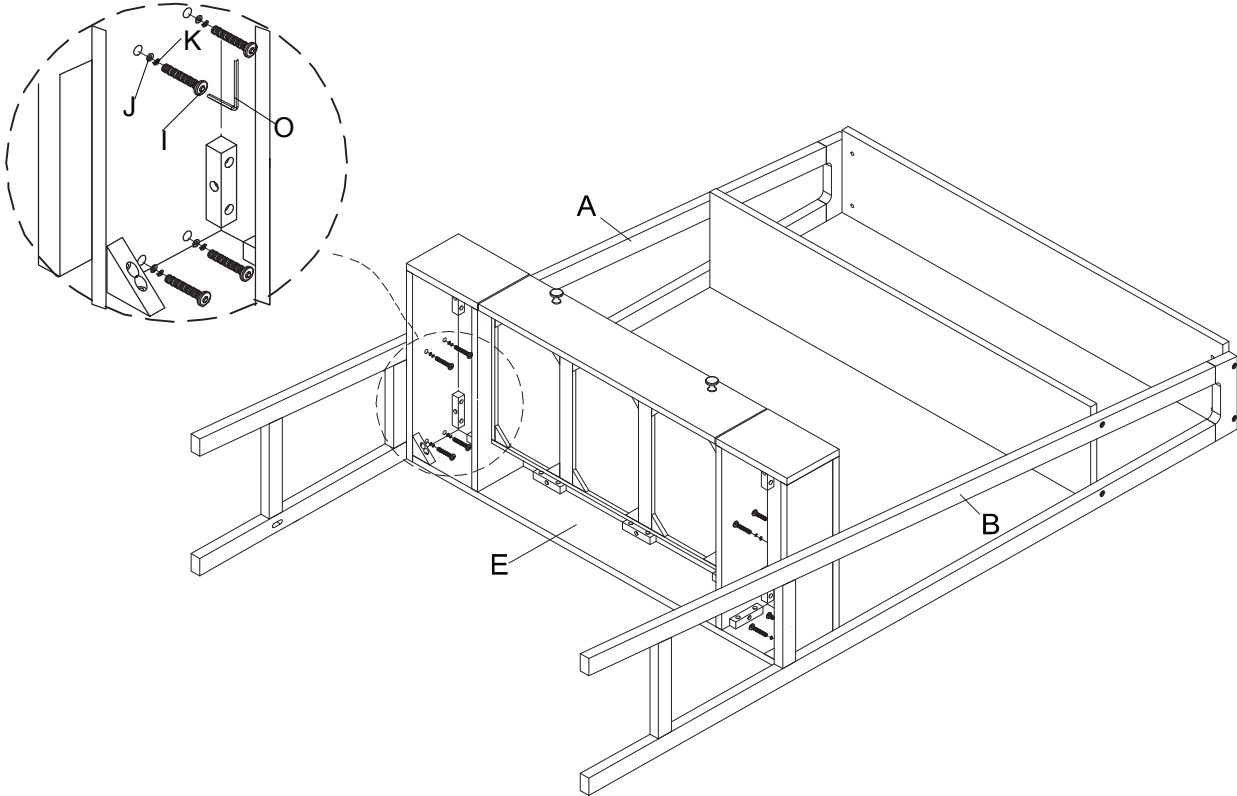


This page lists all the contents included in the box. Please take the time to identify the hardware as well as the individual components to this product. As you unpack and prepare for assembly, place the contents on a carpeted or padded area to protect them from damage.

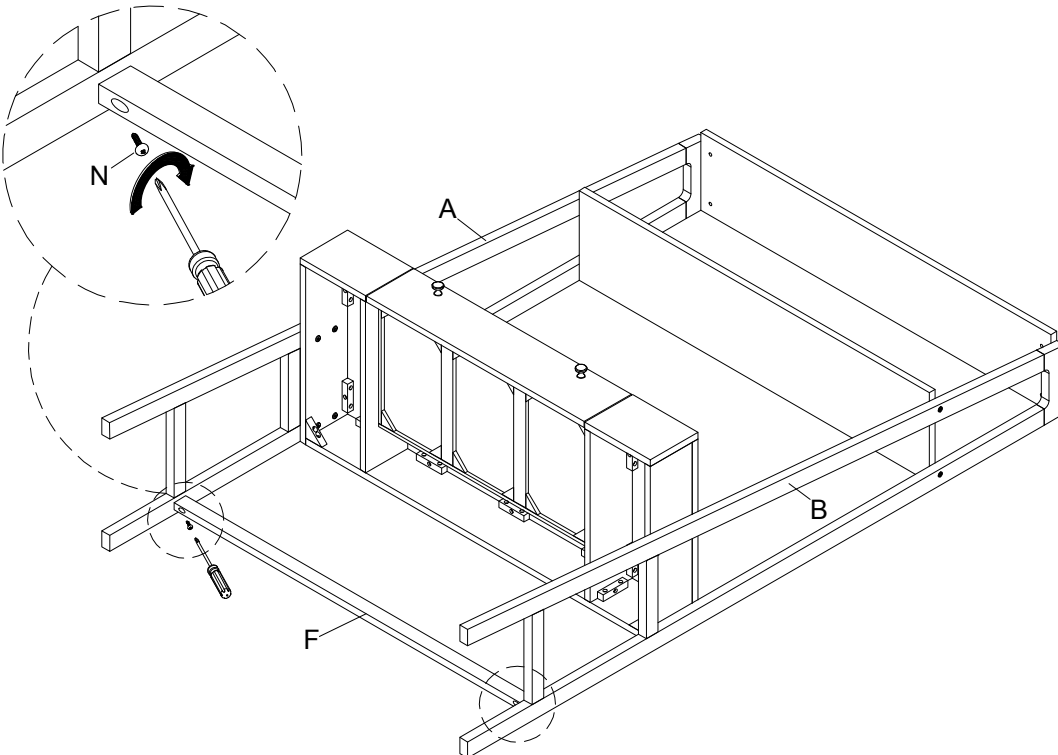
- 1 Insert the Barrel Nut (G) into the bottom of Shelf (C & D). Attach Left & Right Leg Frame (A & B) to Shelf (C & D) and Desk (E) using Wood Dowel (L). Then fix Left & Right Leg Frame (A & B) with Shelf (C & D) using Allen Bolt (H) with Allen Key (O).



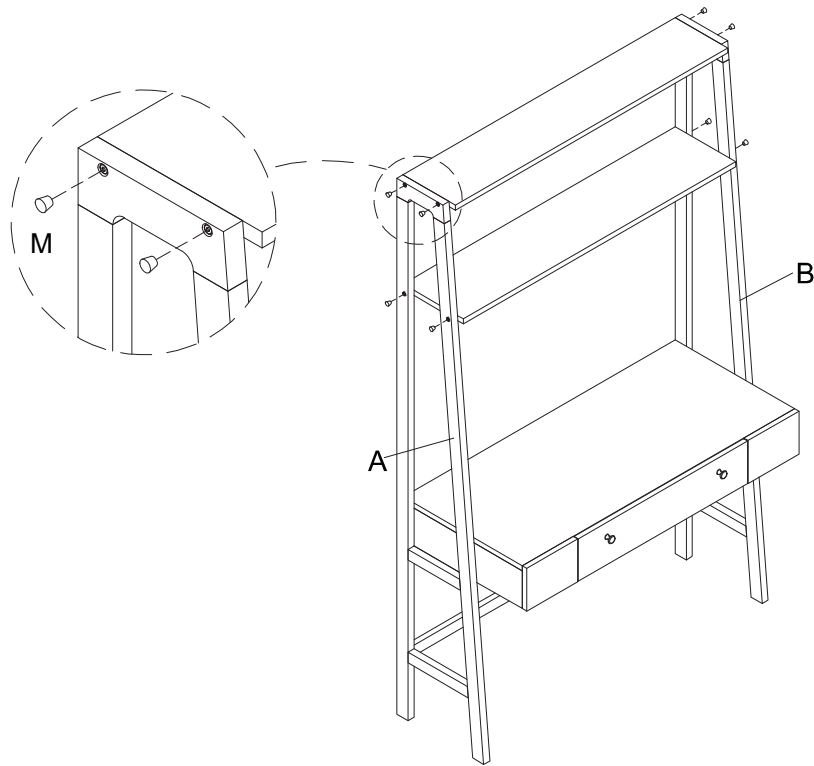
- 2** Fix Left & Right Leg Frame (A & B) with Desk (E) using Allen Bolt (I), Lock Washer (K) and Flat Washer (J) with Allen Key (O).



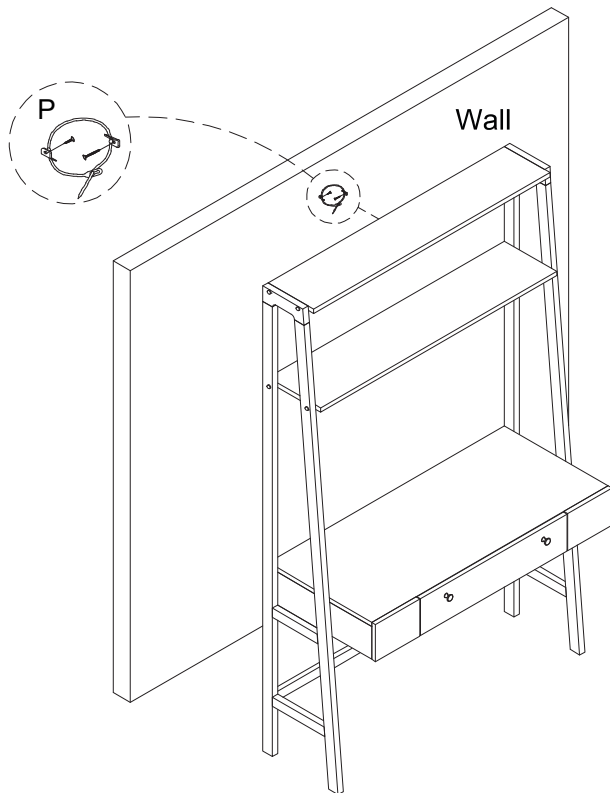
- 3** Attach Stretcher (F) to Left & Right Leg Frame (A & B) using Screw (N) with screwdriver (not provided).



4 Cover bolts holes on Left & Right Leg Frame (A & B) with Wooden Butten (M).



5 Please install Anti-Tipping Kit (P) on the back of the product according to the individual instruction.



Cleaning & Care

Treat surface with care. Surface is resistant to scratches but is not scratch resistant. Clean surfaces with a dry or damp soft cloth. Do not use abrasive cleaners. Hardware may loosen over time. Periodically check that all connections are tight.