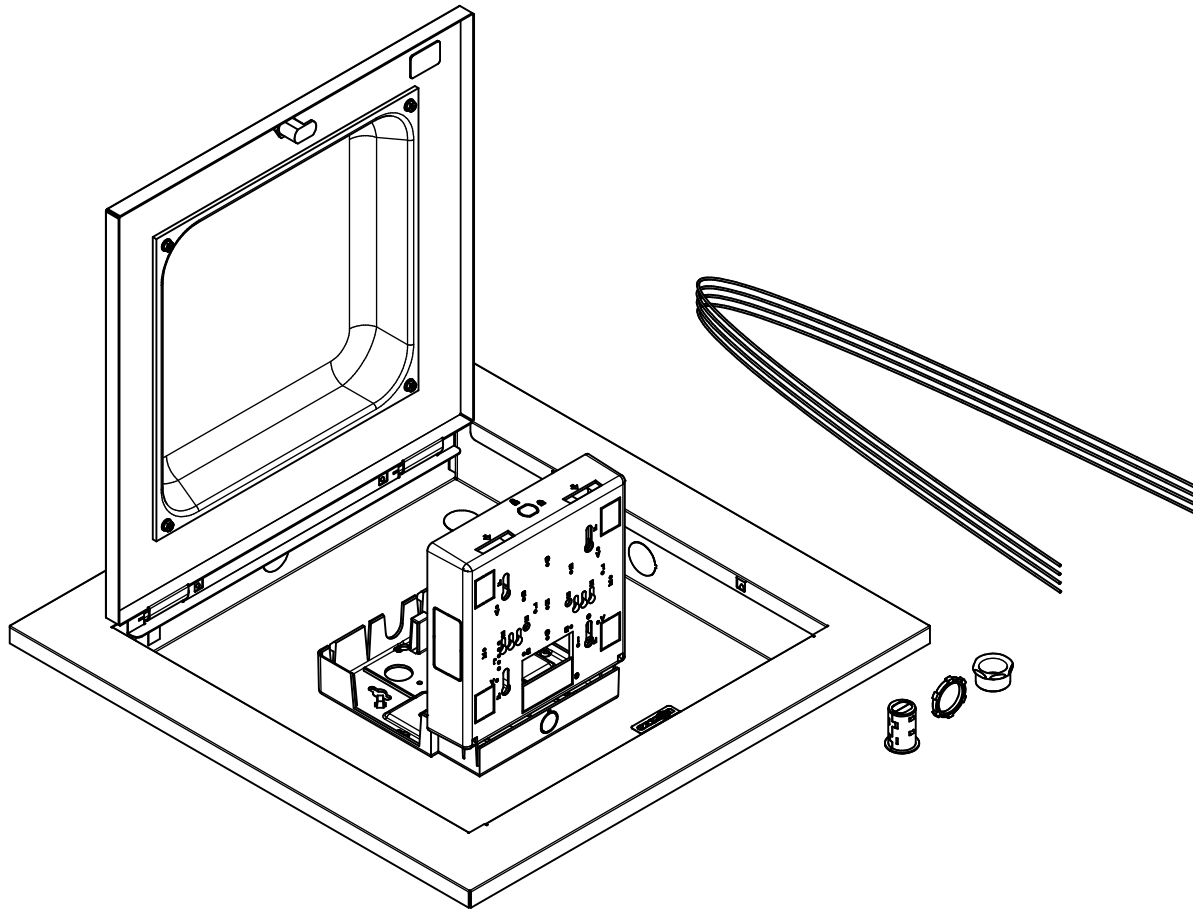


1047-LPDOME & 1047-LTDOME



NOTES:

- Weight: 10.5 lbs. (4.8 kg.)
- Material: 16 Ga. Aluminum Backbox
18 Ga. White Powder Coated Steel Door
18 Ga. White Powder Coated Steel Flange
UL94-5VA Dome

Includes:

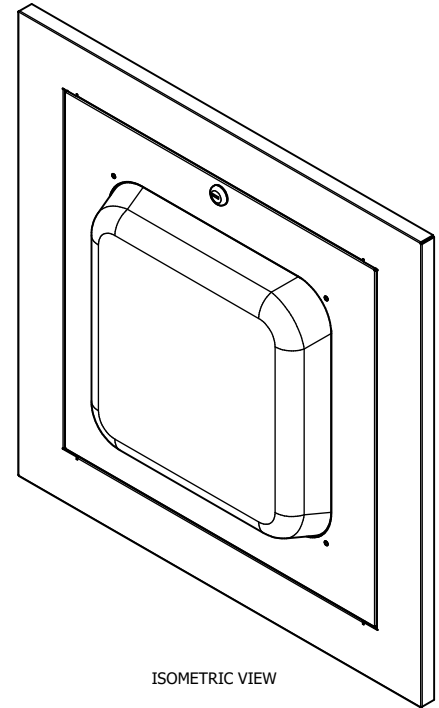
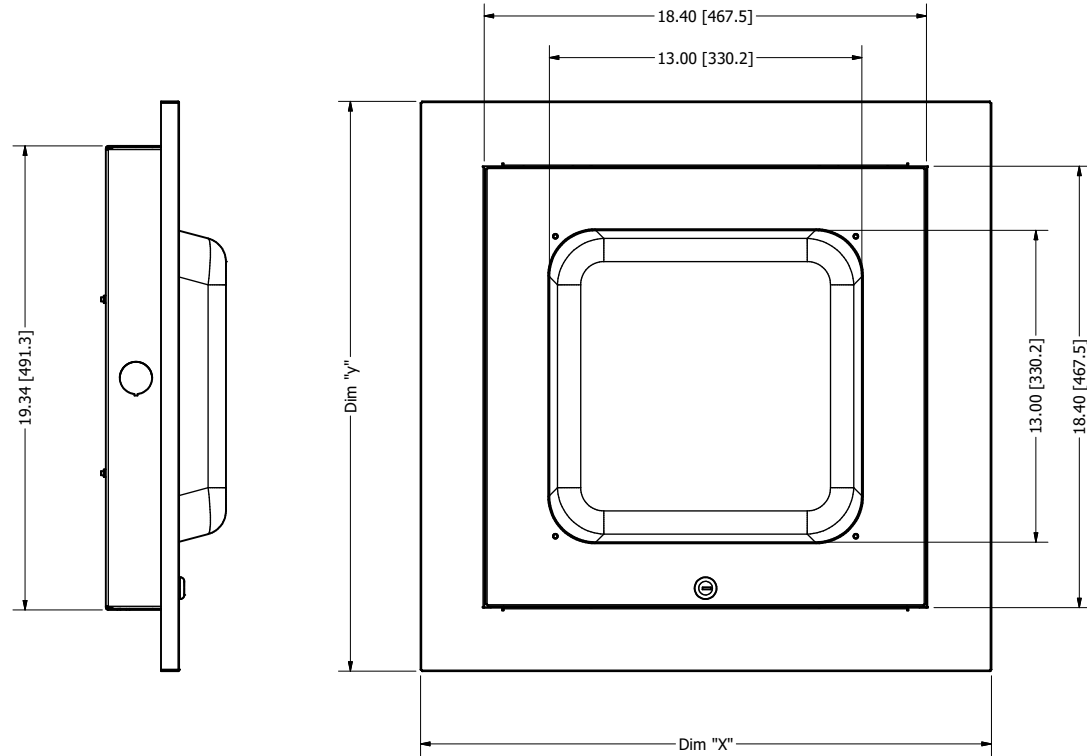
- (1) Enclosure and Interchangeable Door
- (1) Dual Cable Egress Firestop Grommet
- (1) 1 in. Trade Size Conduit Connector
- (4) Hanger Wires
- (2) Keys for Lock
- Access Point Attachment Hardware

UL Listed - File Number E348543

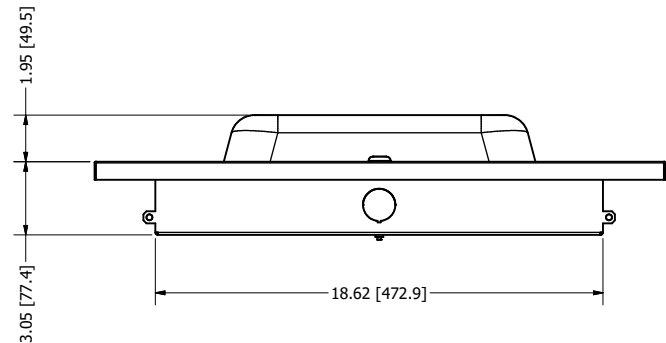
HCAI Approved - OPM-0110-22

DRAWN	RLC	3/5/2025	Oberon, Inc. - 1315 S. Allen St. - State College, PA 16801		
CHECKED	RLC	3/5/2025	TITLE		
QA			1047 Series		
MFG	RLC	3/5/2025	SIZE	DWG NO	REV
APPROVED	RLC	3/5/2025	C	CUT-OB1047	
TOLERANCE:	.0 = +/- .030		SCALE		
	.00 = +/- .015				
	.000 = +/- .005				
				SHEET 1 OF 6	

1047-LPDOME & 1047-LTDOME



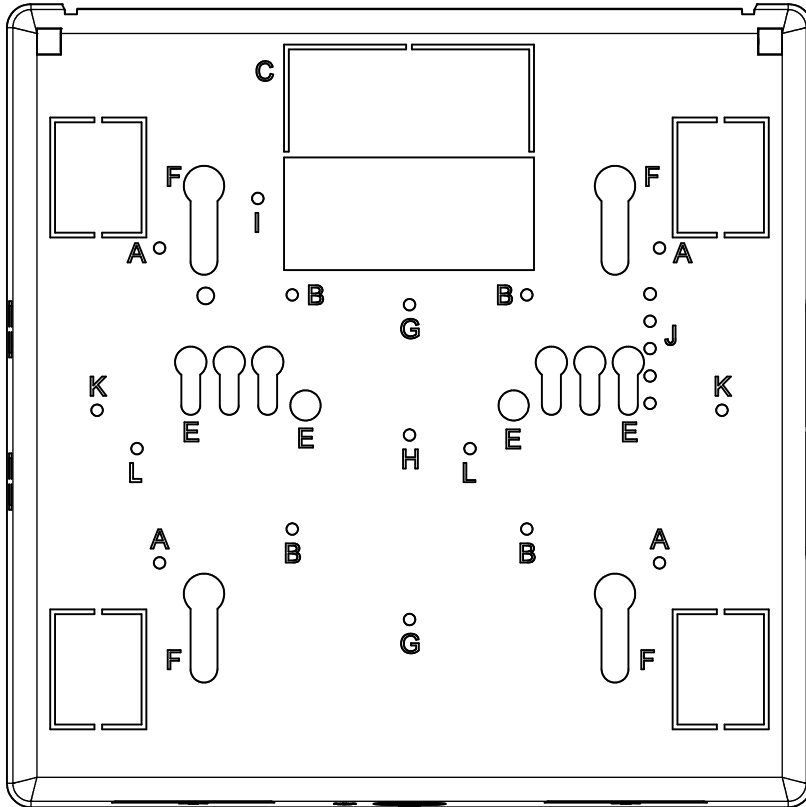
ISOMETRIC VIEW



FLANGE DIMENSIONS		
Flange Style	Dim X	Dim Y
1047-XXXX (U.S. Size)	23.75"	23.75"
1047-XXXX-T (U.S. Size)	23.75"	23.75"
1047-XXXX-600MM (Metric Size)	594 MM	594 MM

DRAWN	RLC	3/5/2025	Oberon, Inc. - 1315 S. Allen St. - State College, PA 16801		
CHECKED	RLC	3/5/2025	TITLE		
QA			1047 Series		
MFG	RLC	3/5/2025	SIZE	DWG NO	REV
APPROVED	RLC	3/5/2025	C	CUT-OB1047	
TOLERANCE:	.0 = +/- .030		SCALE		
	.00 = +/- .015				
	.000 = +/- .005				
				SHEET 2 OF 6	

1047-LPDOME & 1047-LTDOME MOUNTING LEGEND

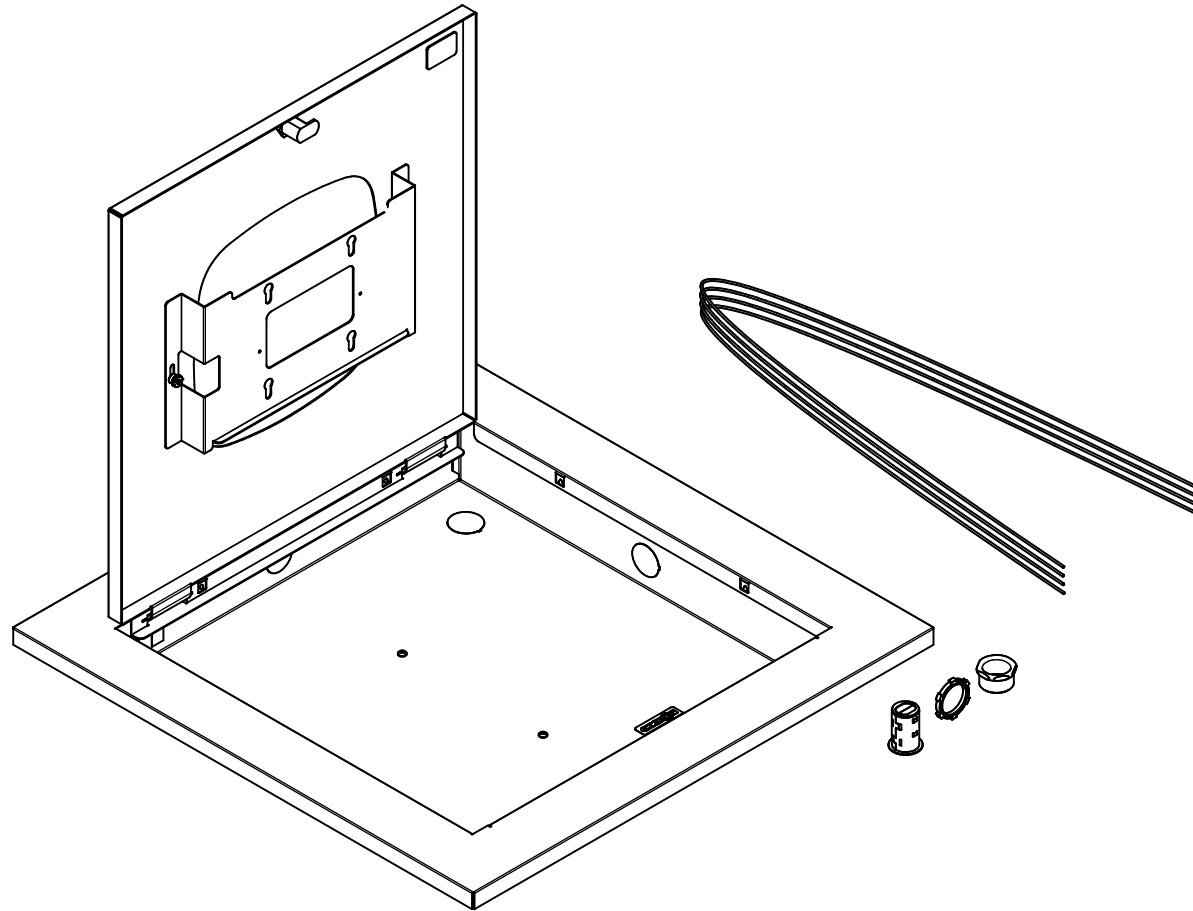


Mounting Legend:

- A - Meraki Mounting Plate
- B - 4" Round (US)
- E - Aruba Direct Mount
- F - Cisco Direct Mount
- G - Single Gang Outlet Box
- J - Cisco Adjustable Set Screws
- K - Oberon T-Bar Accessory
- L - Meraki Mounting Plate

DRAWN RLC	3/5/2025	Oberon, Inc. - 1315 S. Allen St. - State College, PA 16801		
CHECKED RLC	3/5/2025	TITLE		
QA		1047 Series		
MFG RLC	3/5/2025	SIZE C	DWG NO CUT-OB1047	REV
APPROVED RLC	3/5/2025	SCALE	SHEET 3 OF 6	
TOLERANCE:	.0 = +/- .030 .00 = +/- .015 .000 = +/- .005			

1047 WITH AP FACED DOOR



NOTES:

- Weight: 10.5 lbs. (4.8 kg.)
- Material: 16 Ga. Aluminum Backbox
18 Ga. White Powder Coated Steel Door
18 Ga. White Powder Coated Steel Flange

Includes:

- (1) Enclosure and Interchangeable Door
- (1) Dual Cable Egress Firestop Grommet
- (1) 1 in. Trade Size Conduit Connector
- (4) Hanger Wires
- (2) Keys for Lock
- Access Point Attachment Hardware

UL Listed - File Number E348543

HCAI Approved - OPM-0110-22

DRAWN	3/5/2025	Oberon, Inc. - 1315 S. Allen St. - State College, PA 16801		
CHECKED	3/5/2025	TITLE		
QA		1047 Series		
MFG	3/5/2025	SIZE	DWG NO	REV
RLC		C	CUT-OB1047	
APPROVED	3/5/2025	SCALE		
RLC			SHEET 4 OF 6	
TOLERANCE:	.0 = +/- .030 .00 = +/- .015 .000 = +/- .005			

Please specify configuration when ordering:

1047 - _____ - _____ - _____ - _____

ENCLOSURE - AP DOOR - FLANGE STYLE - TILE SIZE
 STYLE (See Configurations) (-T for Tegular Flange, leave blank for lay-in) (-600MM for European metric ceiling grid, leave blank for 24" ceiling grid)

Examples:
 1047-LPDOME

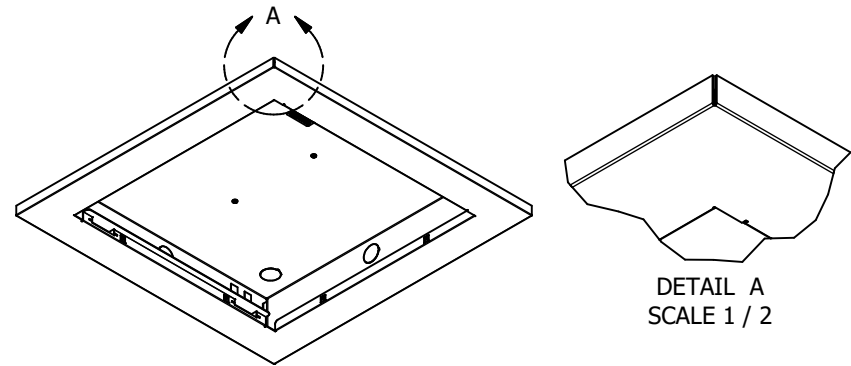
Model 1047 with LPDOME door, flange to match flat lay-in tile, flange size for North American ceiling systems
 Model 1047 with LPDOME door, flange to match tegular ceiling tiles for recessed grid, flange size for North American ceiling systems
 Model 1047 with door for Cisco 3800 Series AP, flange to match flat lay-in tile, European metric sized flange
 Model 1047 with door for Aruba AP335, flange to match tegular ceiling tiles for recessed grid, European metric sized flange
 Model 1047 with door for Cisco 9120 AP, flange to match flat lay-in tile, flange size for North American ceiling systems, with light-weight back-box

1047-LPDOME-T
 1047-COAP3800-600MM
 1047-ARAP335-T-600MM
 1047-COAP9120-LW

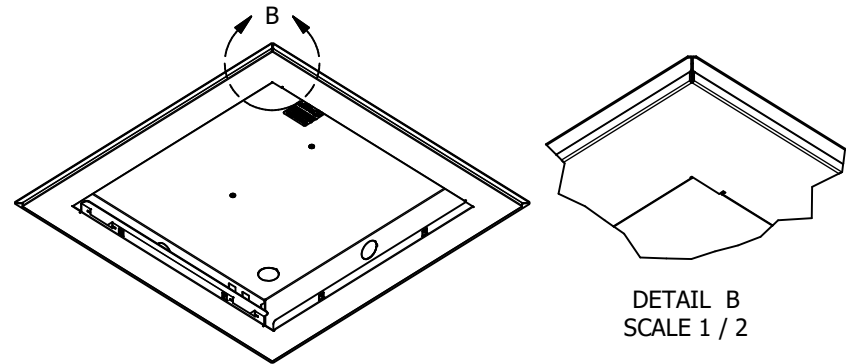
Configuration Table

MODEL NUMBER	ENCLOSURE STYLE	AP DOOR	FLANGE STYLE	TILE SIZE	ACCESS POINT	TO ORDER DOOR SEPARATELY - USE DOOR P/N ONLY
1047-3100	1047	3100			GE Healthcare ApexPro FHAP	38-47-3100
1047-ANTMNT	1047	ANTMNT			Various	38-47-ANTMNT
1047-ARAP505	1047	ARAP505			Aruba AP505	38-47-ARAP505
1047-ARAP515	1047	ARAP515			Aruba AP515	38-47-ARAP515
1047-ARAP535	1047	ARAP535			Aruba AP535	38-47-ARAP535
1047-ARAP555	1047	ARAP555			Aruba AP555	38-47-ARAP555
1047-ARAP615	1047	ARAP615			Aruba AP615	38-47-ARAP615
1047-ARAP635	1047	ARAP635			Aruba AP635	38-47-ARAP635
1047-ARAP655	1047	ARAP655			Aruba AP655	38-47-ARAP655
1047-ARAP735	1047	ARAP735			Aruba AP735	38-47-ARAP735
1047-ARAP755	1047	ARAP755			Aruba AP755	38-47-ARAP755
1047-ARAV1535	1047	ARAV1535			Aruba SC 1535	38-47-ARAV1535
1047-ARSTC330	1047	ARSTC330			Arista C-330	38-47-ARSTC330
1047-ARSTC360	1047	ARSTC360			Arista C-360	38-47-ARSTC360
1047-ARSTC460	1047	ARSTC460			Arista C-460	38-47-ARSTC460
1047-ASAV1500	1047	ASAV1500			Airspan 1500	38-47-ASAV1500
1047-BLANK	1047	BLANK			Used as a cover / AP not been defined	38-47-BLANK
1047-CCOAP	1047	CCOAP			Cisco 2700, 3700 Series APs	38-47-CCOAP
1047-CCOAP3800	1047	CCOAP3800			Cisco 2800, 3800 Series APs	38-47-CCOAP3800
1047-COAP4800	1047	COAP4800			Cisco 4800 Series APs	38-47-COAP4800
1047-COAP9115	1047	COAP9115			Cisco 9115 Series APs	38-47-COAP9115
1047-COAP9117	1047	COAP9117			Cisco 9117 Series APs	38-47-COAP9117
1047-COAP9120	1047	COAP9120			Cisco 9120 Series APs	38-47-COAP9120
1047-COAP9130	1047	COAP9130			Cisco 9130 Series APs	38-47-COAP9130
1047-COAP9136	1047	COAP9136			Cisco 9136 Series APs	38-47-COAP9136
1047-CW9162	1047	CW9162			Cisco 9162 Series APs	38-47-CW9162
1047-CW9166	1047	CW9166			Cisco 9166 Series APs	38-47-CW9166
1047-CW9172	1047	CW9172			Cisco 9172 Series APs	38-47-CW9172
1047-CW9176	1047	CW9176			Cisco 9176 Series APs	38-47-CW9176
1047-CW9178	1047	CW9178			Cisco 9178 Series APs	38-47-CW9178
1047-DOME	1047	DOME			9" Diameter Opaque White Dome	38-47-DOME
1047-EXAP5010	1047	EXAP5010			Extreme Networks AP 5010	38-47-EXAP5010
1047-EXAP5010	1047	EXAP5010			Extreme Networks AP 5010	38-47-EXAP5010
1047-EXAP5020	1047	EXAP5020			Extreme Networks AP 5020	38-47-EXAP5020
1047-EXT3935	1047	EXT3935			Extreme Networks AP 3935	38-47-EXT3935
1047-EXT4000	1047	EXT4000			Extreme Networks AP 4000	38-47-EXT4000
1047-EXT510i	1047	EXT510i			Extreme Networks AP 510i	38-47-EXT510i
1047-JNAP45	1047	JNAP45			Mist AP 45	38-47-JNAP45
1047-LPDOME	1047	LPDOME			General Purpose, Works With Most APs	38-47-LPDOME
1047-LTDOME	1047	LTDOME			General Purpose, Works With Most APs	38-47-LTDOME
1047-MIST43	1047	MIST43			Mist AP 43	38-47-MIST43
1047-MR42	1047	MR42			Meraki MR42	38-47-MR42
1047-MR46	1047	MR46			Meraki MR46	38-47-MR46
1047-MR52	1047	MR52			Meraki MR52 or MR53	38-47-MR52
1047-MR56	1047	MR56			Meraki MR56	38-47-MR56
1047-MR57	1047	MR57			Meraki MR57	38-47-MR57
1047-ND	1047	ND			N/A (No Door Included)	ND
1047-R650	1047	R650			Ruckus R650	38-47-R650
1047-R750	1047	R750			Ruckus R750	38-47-R750

STANDARD "LAY-IN" FLANGE STYLE



"-T" TEGULAR FLANGE STYLE (For Recessed Grid Ceilings)



DRAWN RLC	3/5/2025	Oberon, Inc. - 1315 S. Allen St. - State College, PA 16801		
CHECKED RLC	3/5/2025	TITLE		
QA		1047 Series		
MFG RLC	3/5/2025	SIZE C	DWG NO	REV
APPROVED RLC	3/5/2025	CUT-OB1047		
TOLERANCE:	.0 = +/- .030 .00 = +/- .015 .000 = +/- .005	SCALE	SHEET 6 OF 6	