



BEST CHOICE
PRODUCTS



INSTRUCTION MANUAL

5-Piece Beginner Drum Set

SKY1263 + SKY9192 + SKY9193 + SKY9194 + SKY9195
SKY9196 + SKY9197

! NOTICE

Please retain these instructions for future reference.

- Do not stand on or use any part of this item as a step ladder.
- Firmly secure all bolts, screws and knobs before use.
- Reconfirm that all bolts, screws, and knobs are secure every 90 days.
- Do not use or store this item in the proximity of open flame or flammable/combustible chemicals.
- Be aware that some parts are heavy and have sharp edges.
- If any parts are missing, broken, damaged, or worn, stop using this product until repairs are made and/or factory replacement parts are installed.
- Do not use this item in a way inconsistent with the manufacturer's instructions as this could void the product warranty.
- This product is intended for residential use only.

TOOLS REQUIRED



DRUM KEY
(PROVIDED)



1 PERSON
ASSEMBLY



UP TO 90 MIN.
ASSEMBLY

HARDWARE

1 LONG TENSION ROD



16 PCS

2 TENSION ROD



32 PCS

3 WASHER



48 PCS

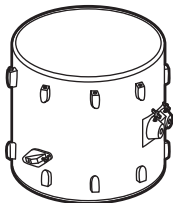
4 CLAW HOOK



16 PCS

PARTS

A BASS SHELL



1 PC

B BASS RIM



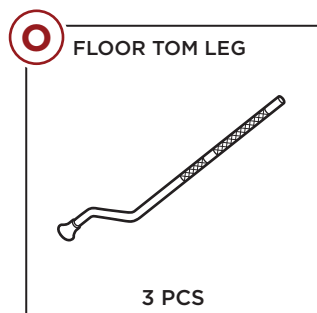
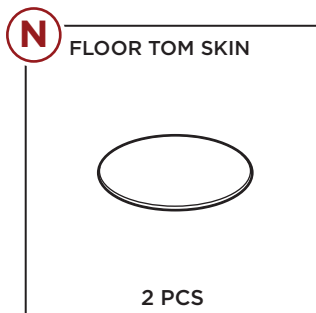
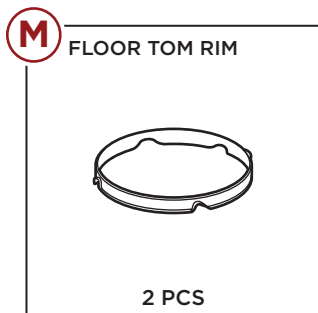
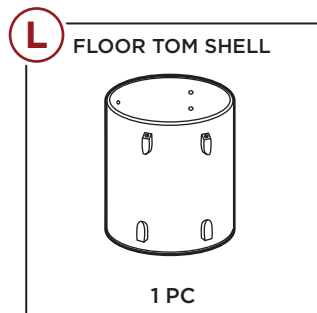
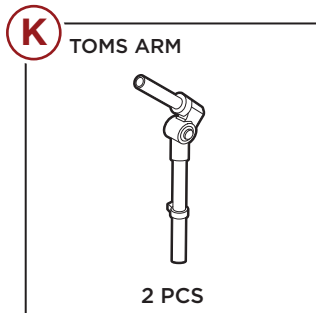
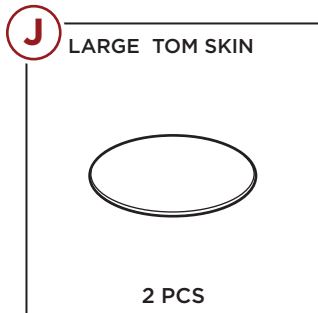
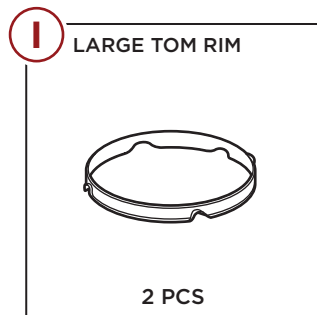
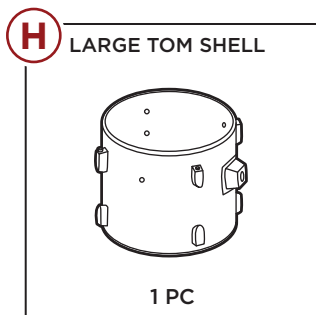
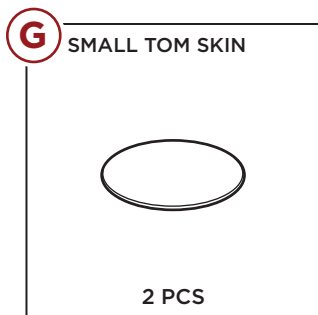
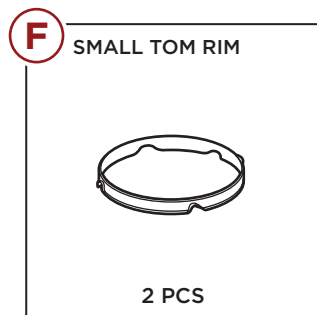
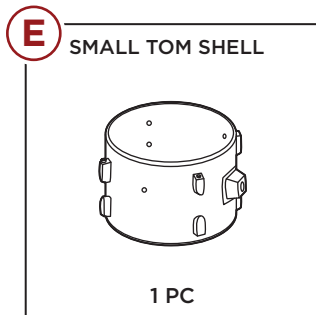
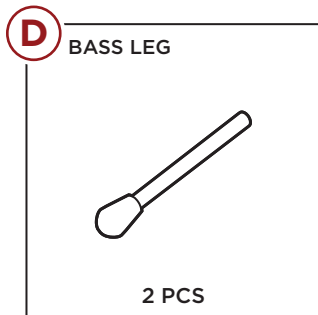
2 PCS

C BASS SKIN

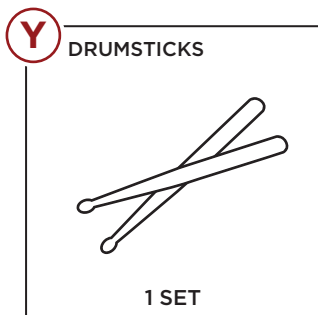
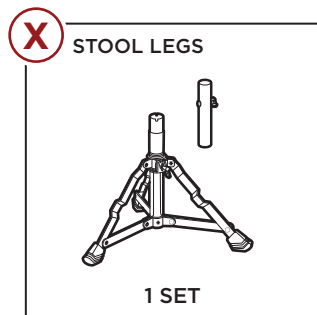
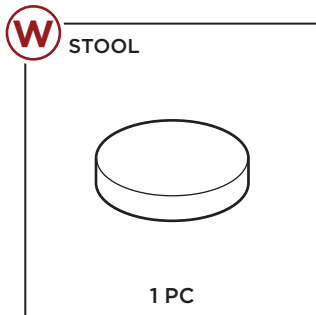
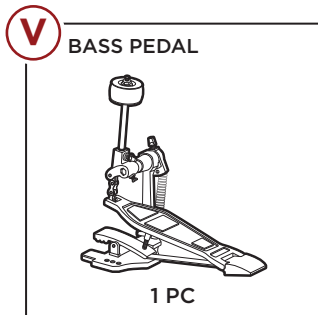
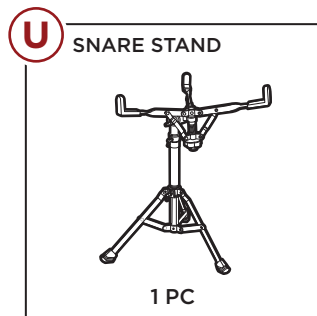
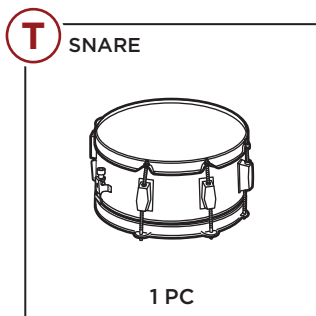
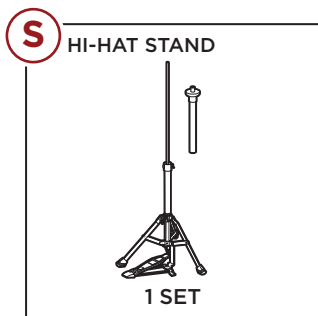
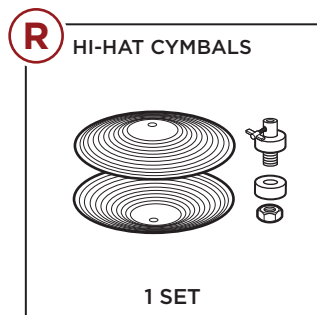
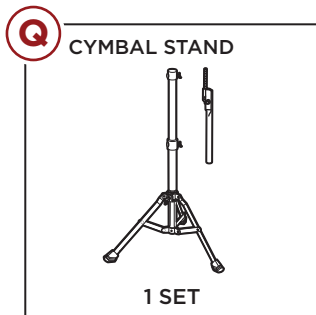
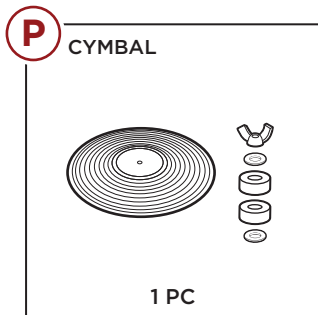


2 PCS

PARTS



PARTS

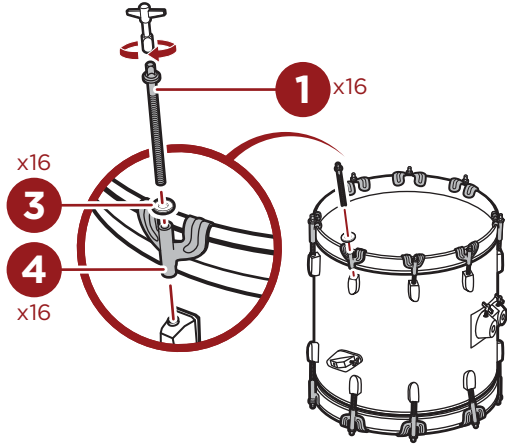
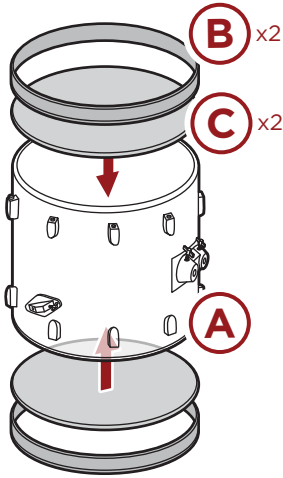


PRODUCT ASSEMBLY

1

Place two **part C** bass skins and two **part B** bass rims on the **part A** bass shell.

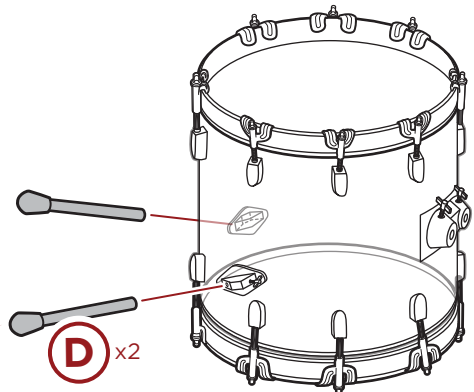
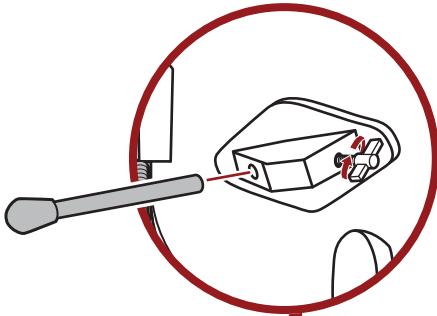
Attach the bass rims/skins with sixteen **part 1** long tension rods, sixteen **part 3** washers, and sixteen **part 4** claw hooks.



Do not overtighten the tension rods

2

Insert two **part D** bass legs into the bass drum. Tighten the screws to secure the legs.

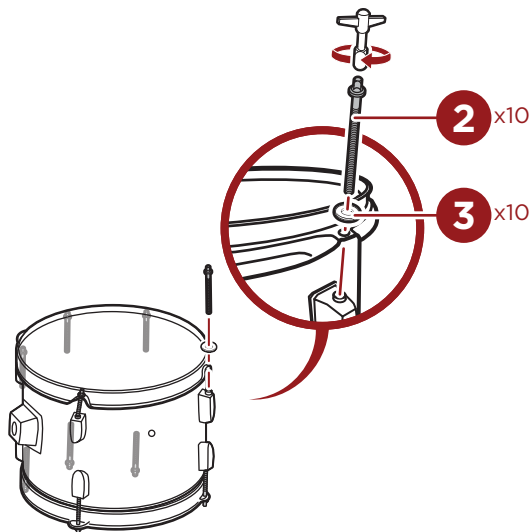
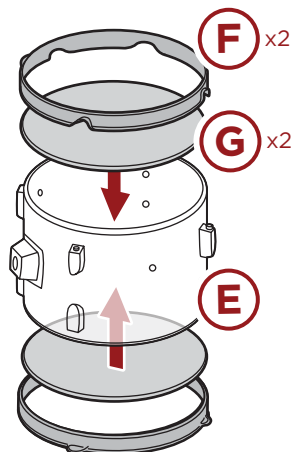


PRODUCT ASSEMBLY

3

Place two **part G small tom skins** and two **part F small tom rims** on the **part E small tom shell**.

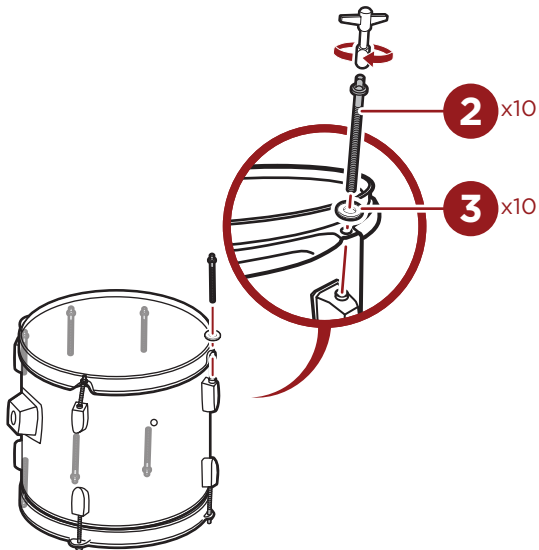
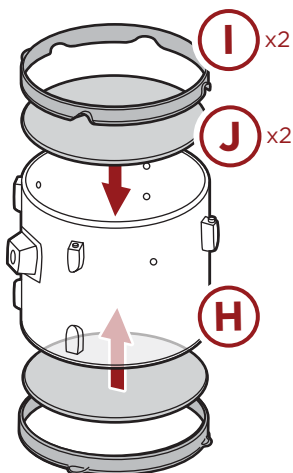
Attach the tom rims/skins with ten **part 2 tension rods** and ten **part 3 washers**.



4

Place two **part J large tom skins** and two **part I large tom rims** on the **part H large tom shell**.

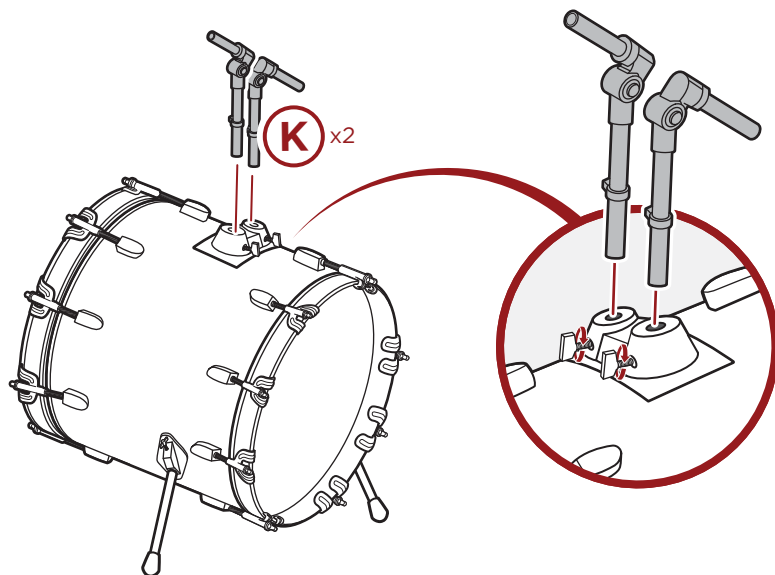
Attach the tom rims/skins with ten **part 2 tension rods** and ten **part 3 washers**.



PRODUCT ASSEMBLY

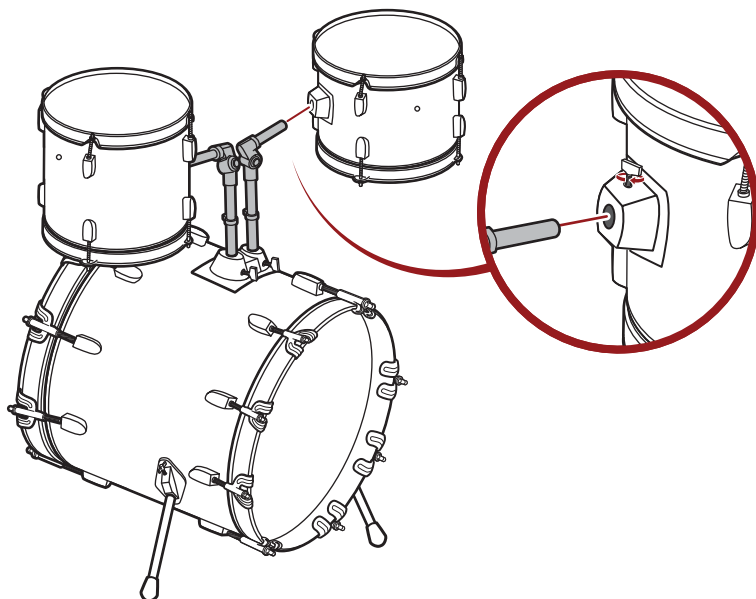
5

Insert two **part K toms arms** into the top of the bass drum and tighten the knobs to secure them.



6

Slide the small tom and large tom onto the arms and tighten the knobs to secure them.

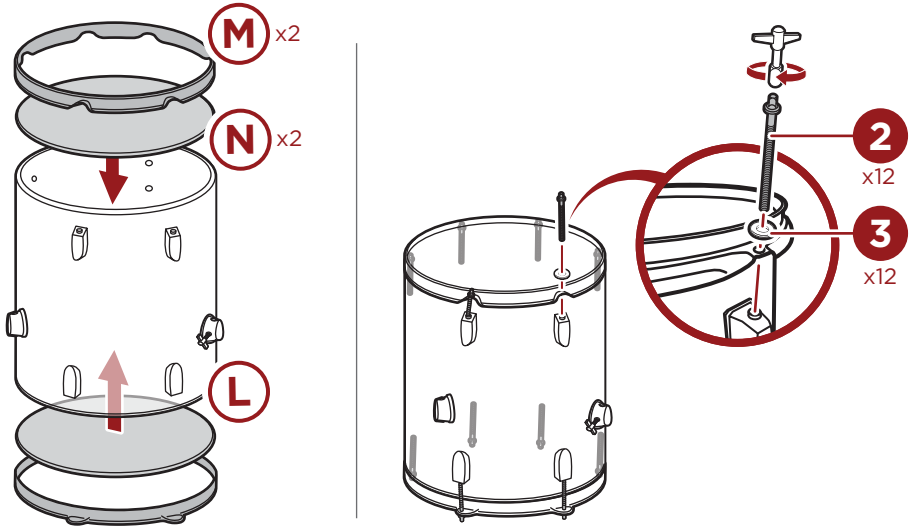


PRODUCT ASSEMBLY

7

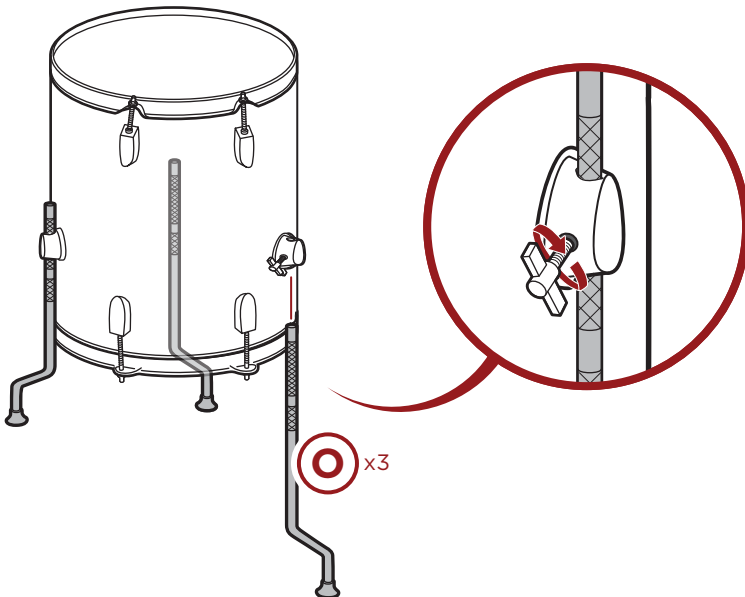
Place two **part N floor tom skins** and two **part M floor tom rims** on the **part L floor tom shell**.

Attach the tom rims/skins with twelve **part 2 tension rods** and twelve **part 3 washers**.



8

Insert three **part O floor tom legs**. Tighten the screws to secure the legs.

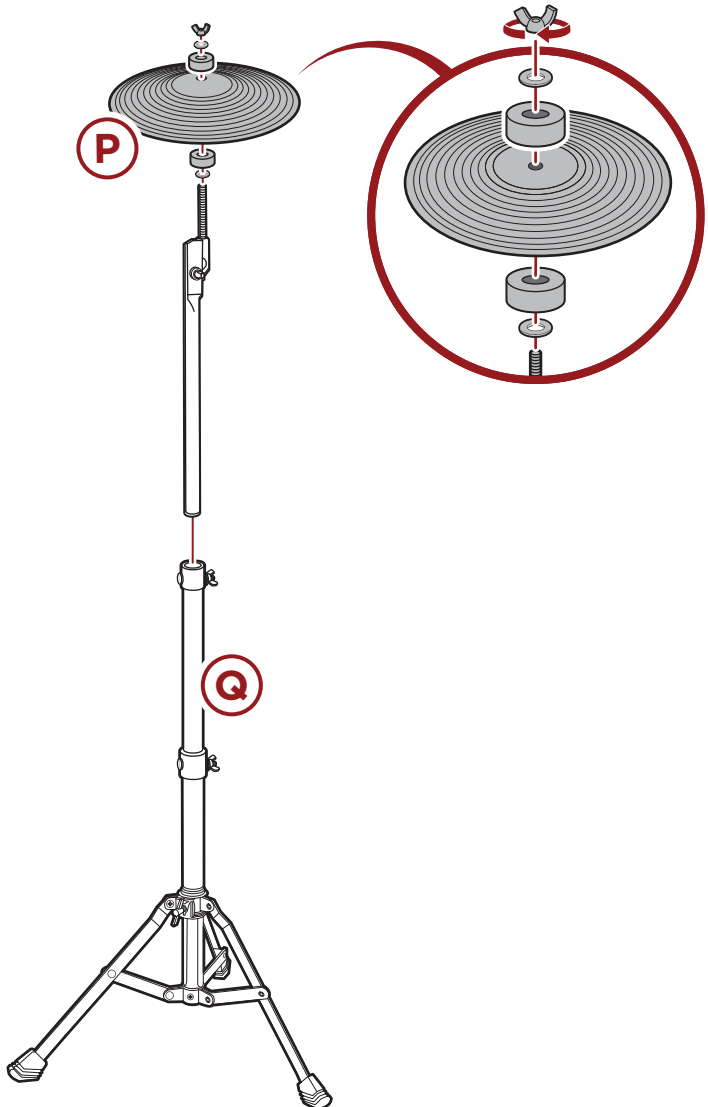


PRODUCT ASSEMBLY

9

Build the **part Q cymbal stand**. Remove the wingnut, washer, and felt pad from the cymbal arm.

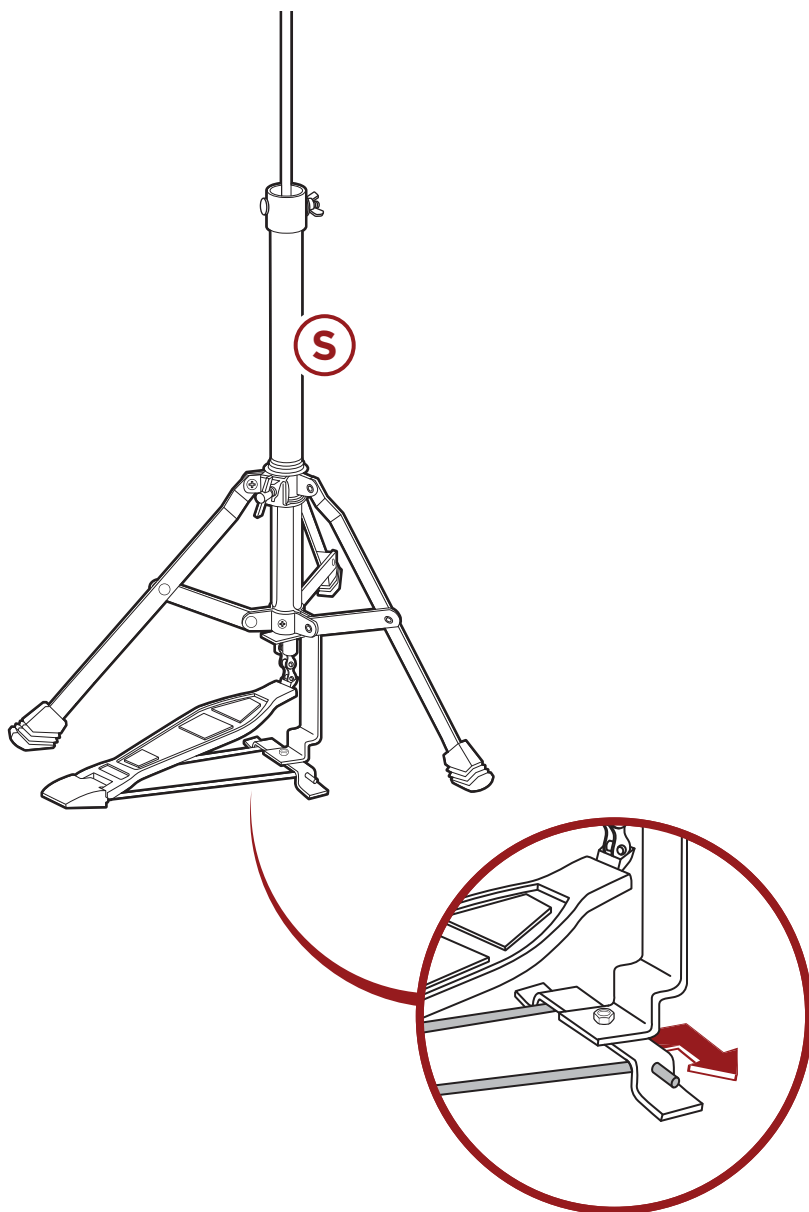
Place the **part P cymbal**, then replace the felt pad, washer, and wingnut. Use the wingnuts to adjust the cymbal height.



PRODUCT ASSEMBLY

10

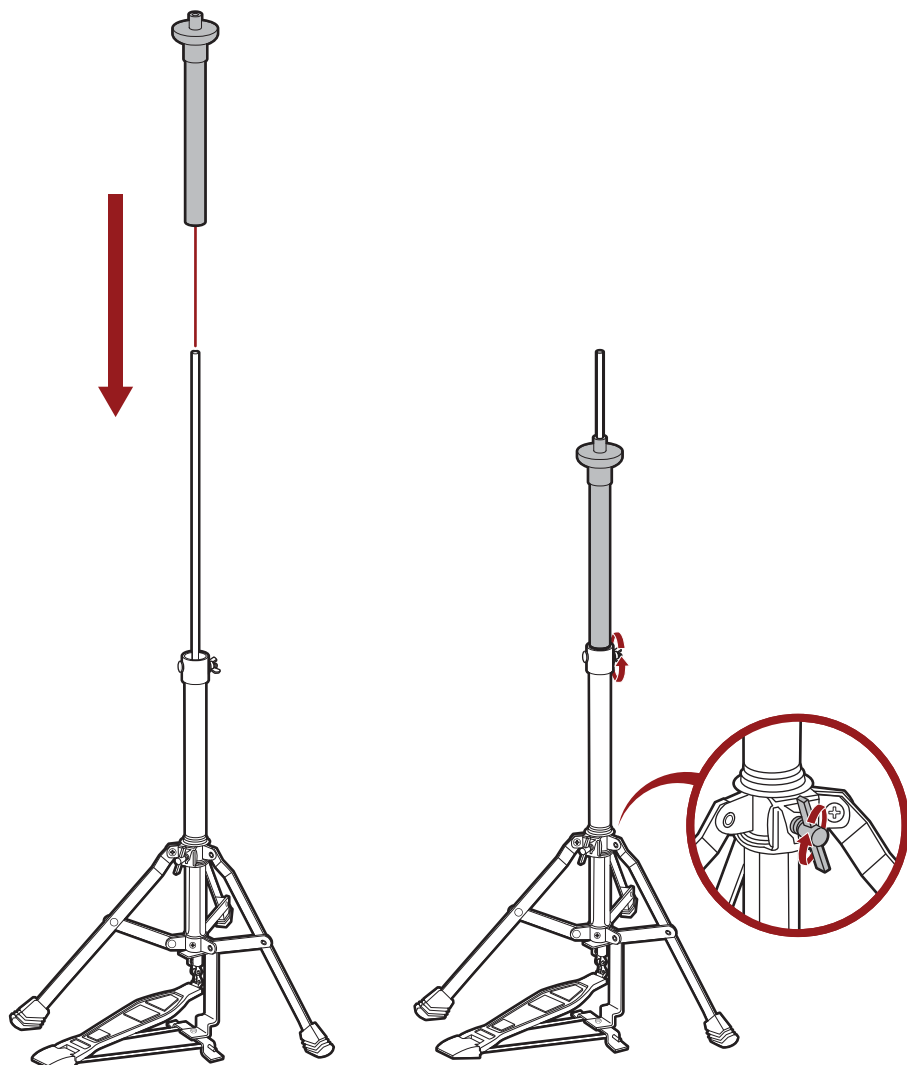
Unfold the legs of the **part S hi-hat stand**. Position the pedal and hook the wires into the holes to lock it in place.



PRODUCT ASSEMBLY

11

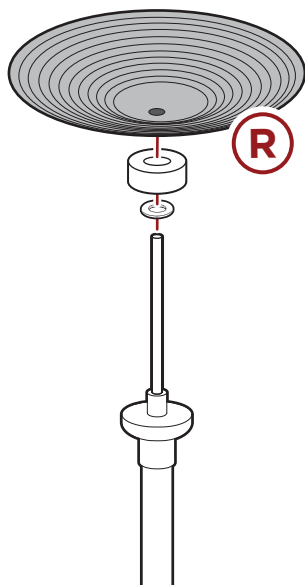
Extend the rod upwards and slide the upper tube over it. Tighten the wingnuts to secure the assembly.



PRODUCT ASSEMBLY

12

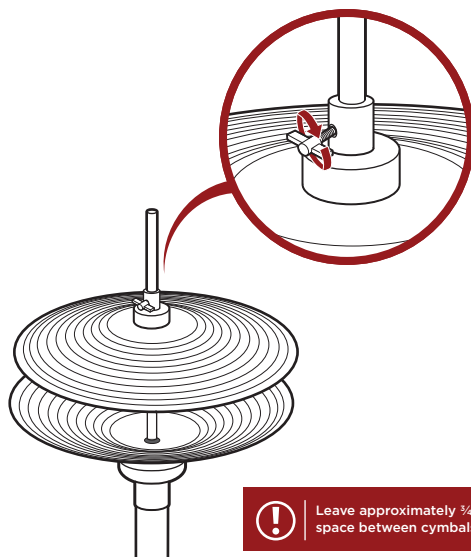
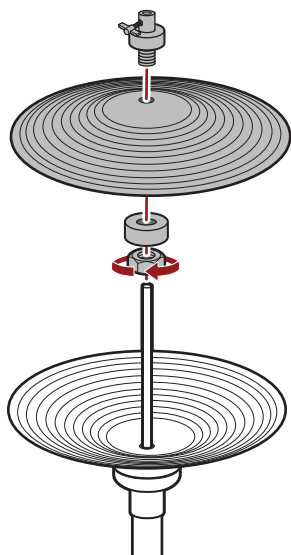
Slide on the washer, felt pad, and **part R hi-hat cymbal** with the concave side up.



13

Remove the bottom nut and felt pad on the hi-hat clutch. Insert the clutch into the other hi-hat cymbal concave side down, then replace the nut/felt pad.

Slide the clutch onto the rod and tighten the wingnut to secure it.



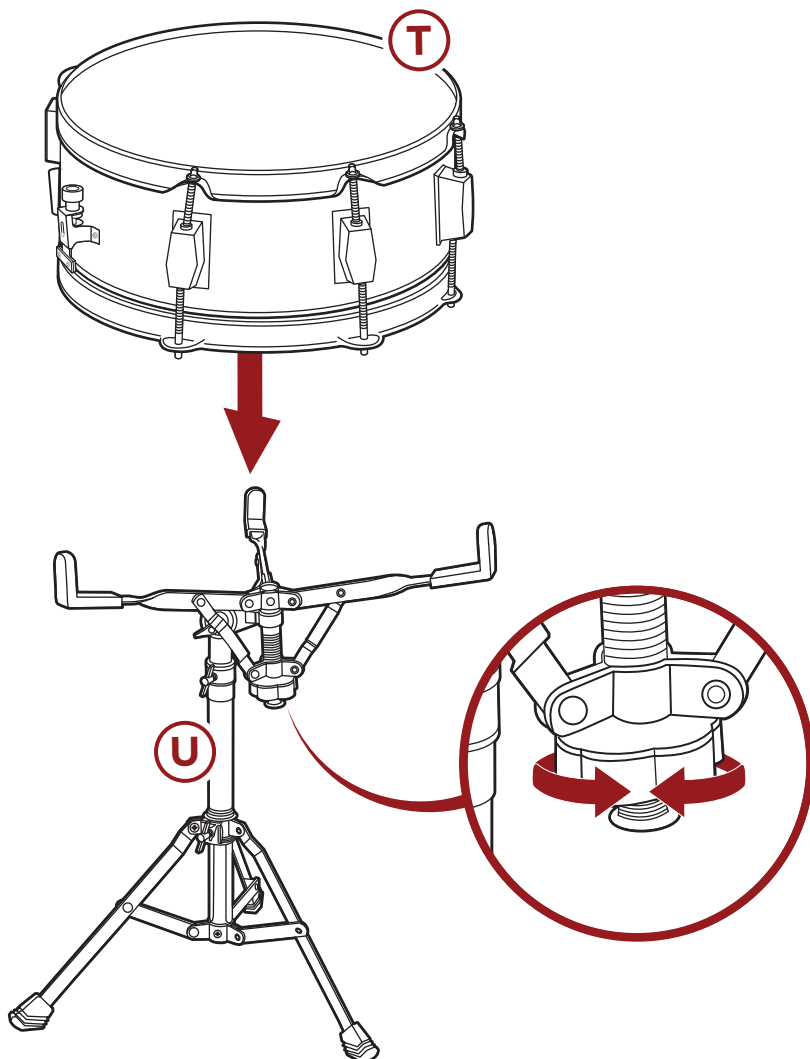
Leave approximately $\frac{3}{4}$ " of space between cymbals

PRODUCT ASSEMBLY

14

Unfold the **part U** snare stand.

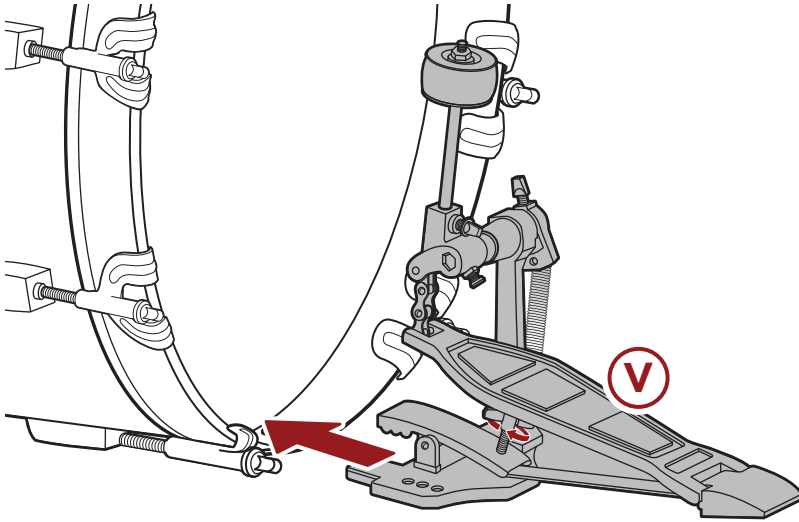
Place the **part T** snare and tighten the knob to secure it in place.



PRODUCT ASSEMBLY

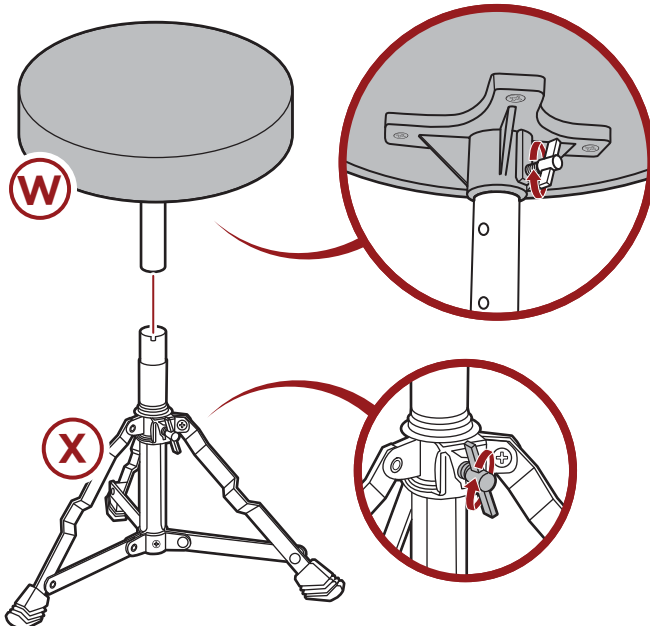
15

Loosen the wingnut on the **part V bass pedal** and clamp it to the rim of the bass drum. Tighten the wingnut to secure it.



16

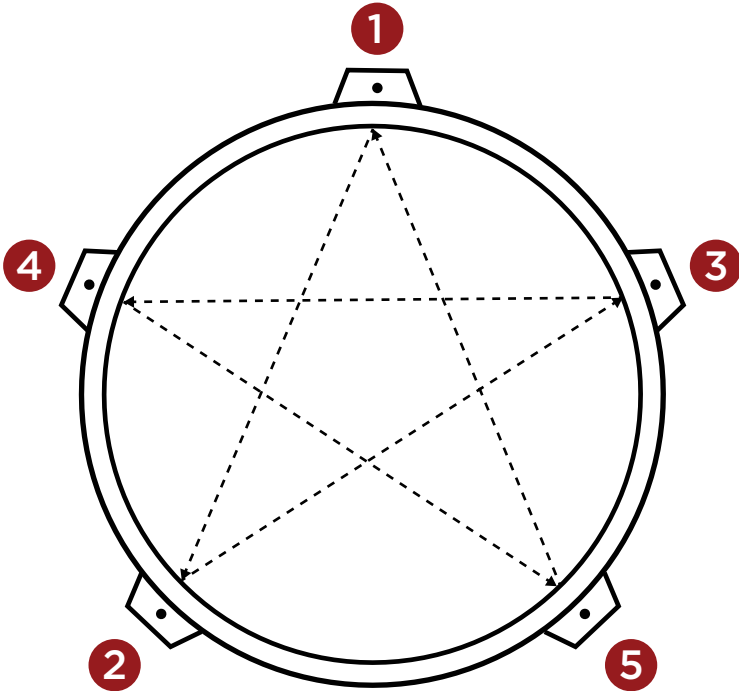
Build the **part X stool legs**. Place the **part W stool** and tighten the wingnuts to secure it in place.



TUNING THE DRUMS

The tension rods on a drum double as tuning keys. Use the drum key to tighten and loosen the tension rods until each one is tightened equally.

NOTE: Tighten one tension rod at a time, then tighten the rod diagonally across from it. This will maintain even tension on the drum skin and produce a fuller sound.



5-LUG DRUM TUNING



HELP CENTER



Question about your product? We're here to help. Visit us at:

help.bestchoiceproducts.com



Chat Support



Product Inquiry



Orders FAQ



Product Assembly



Returns & Refunds

PRODUCT WARRANTY INFORMATION

All items can be returned for any reason within 60 days of the receipt and will receive a full refund as long as the item is returned in its original product packaging and all accessories from its original shipment are included. All returned items will receive a full refund back to the original payment method. All returned items will not be charged a re-stocking fee.

All returned items require an RA (Return Authorization) number, which can only be provided by a Best Choice Products Customer Service Representative when the return request is submitted. Items received without an RA may not be accepted or may increase your return processing time. Once an item has been received by Best Choice Products, refunds or replacements will be processed within 5 business days.

All returns must be shipped back to the Best Choice Products Return Center at the customer's expense. If the reason for return is a result of an error by Best Choice Products then Best Choice Products will provide a pre-paid shipping label via email. Boxes for return shipping will not be provided by Best Choice Products, and is the customer's responsibility to either use the original shipping boxes or purchase new boxes.

Pictures may be required for some returns to ensure an item is not damaged prior to its return. Items returned are not considered undamaged until they are received by Best Choice Products and verified as such. All damages to items are the customer's responsibility until the item has been received by and acknowledged by Best Choice Products as undamaged.

© Best Choice Products, Inc. All rights reserved. Distributed by Best Choice Products, Inc. Newport Beach, CA 92660

WARNING

Manufacturer and seller expressly disclaim any and all liability for personal injury, property damage or loss, whether direct, indirect, or incidental, resulting from the incorrect attachment, improper use, inadequate maintenance, unapproved modification, or neglect of this product.